

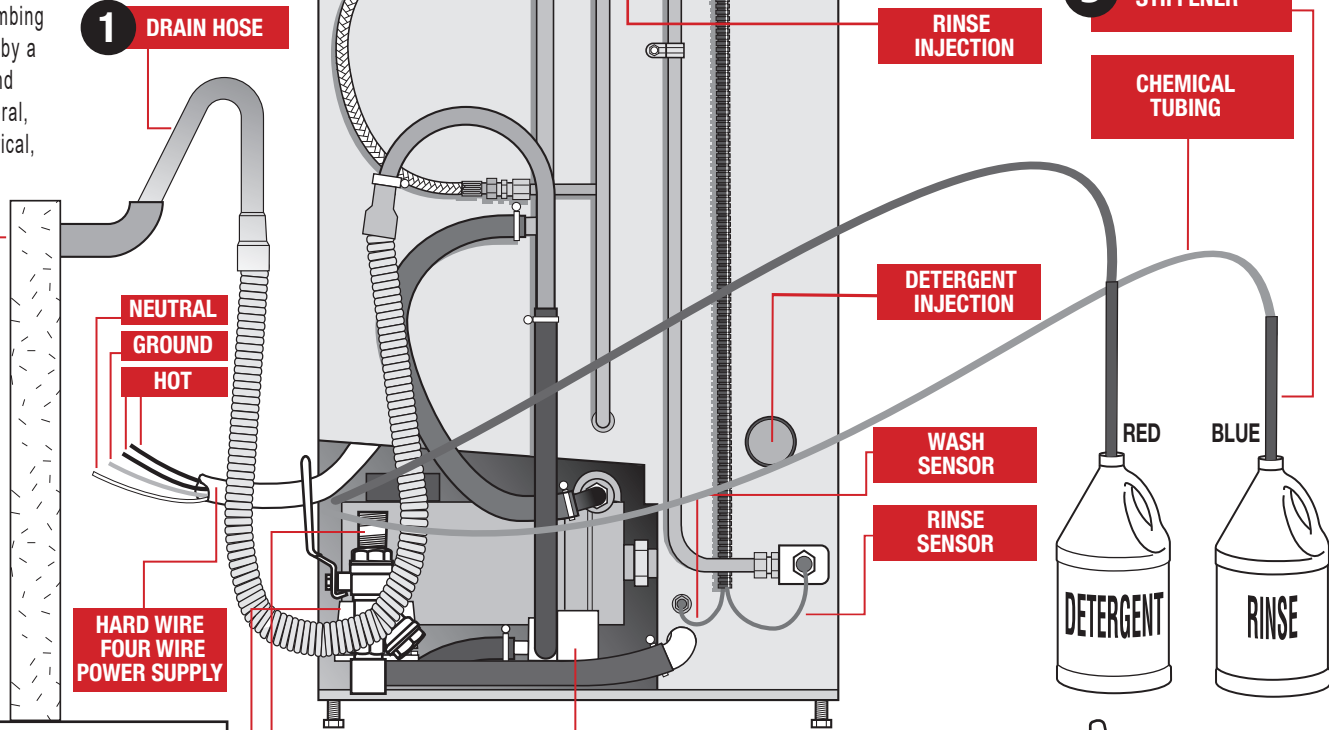
# 180UC

## Quick Setup Instructions

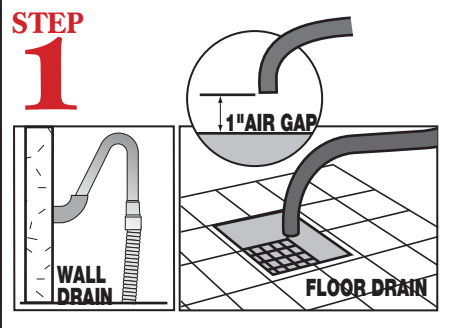


180UC REAR VIEW

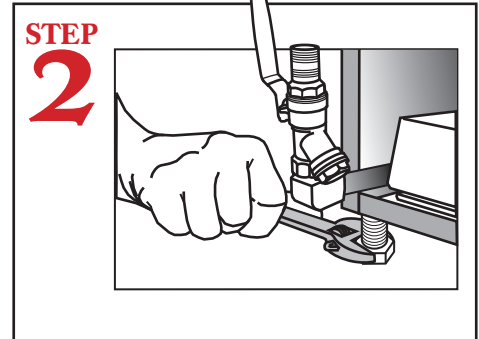
**WARNING:** Electrical and plumbing connections need to be made by a qualified service technician and comply with all available Federal, State and Local Health, Electrical, Plumbing and Safety codes.



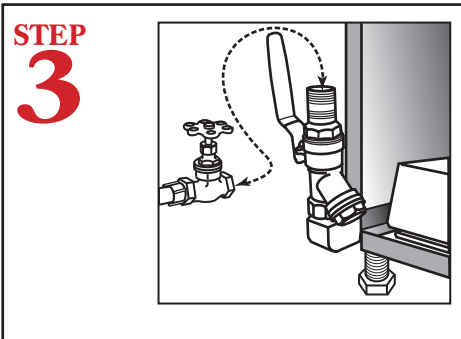
NOT MORE THAN 22" HEIGHT FROM FLOOR



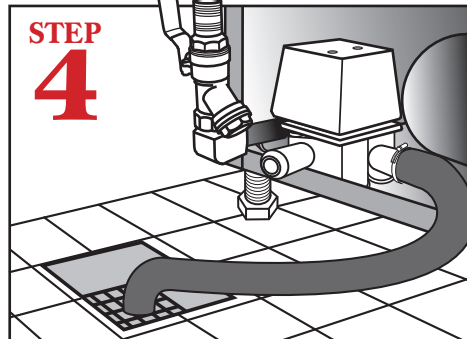
Connect the drain hose to wall, not higher than 22 inches, or floor drain. The floor drain must have a 1 inch air gap between drain hose and floor drain.



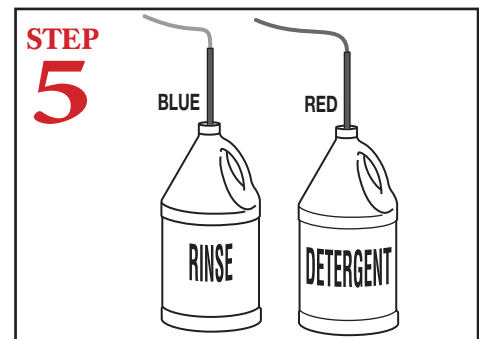
Level dishmachine by adjusting leveling legs. Dishmachine must be level front and back and side to side.



Connect dishmachine to hot water source, recommended minimum temperature 140°F. Unit will remain in wash cycle until booster heater temperature reaches 180°F, then it will advance into rinse cycle.



When ever possible, **remove pump drain** if a floor drain is available near by. Remove drain pipe and place drain hose on the drain valve and allow machine to gravity drain.



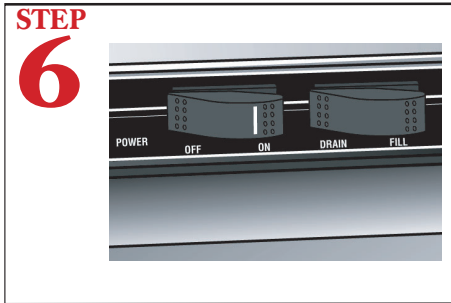
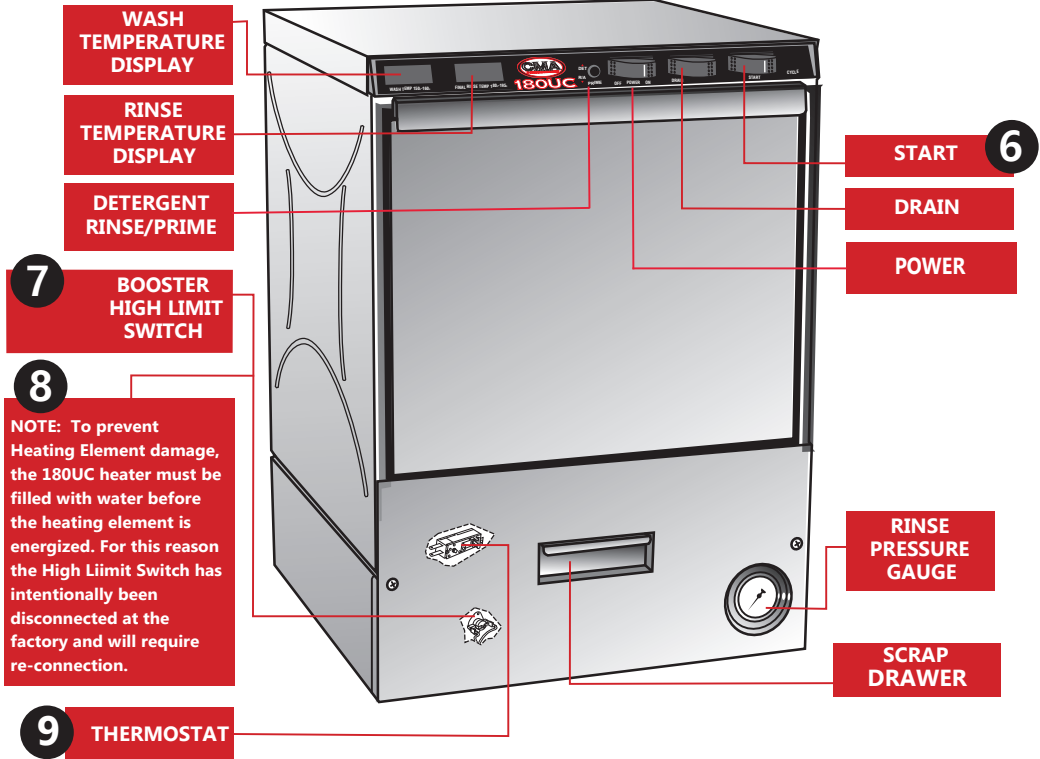
Insert tube stiffener with chemical tubing into corresponding chemical dispensers.

# 180UC Quick Setup Instructions

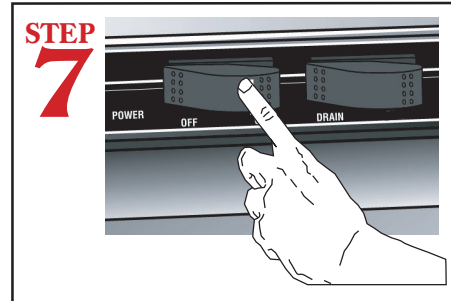
180UC FRONT VIEW



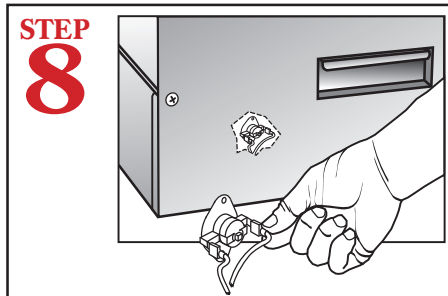
**WARNING:** Electrical and plumbing connections need to be made by a qualified service technician and comply with all available Federal, State and Local Health, Electrical, Plumbing and Safety codes.



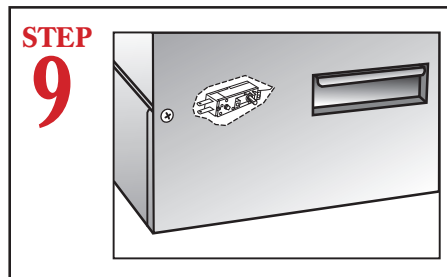
Turn on power, push Fill Button to fill the Booster Tank on initial start up. Listen for final rinse until water cascades into scrap trap.



Turn power switch on, press and hold fill switch, fill to correct level in wash tank.



After filling dishwasher for the first time, (**CAUTION: turn power supply off**) reconnect the factory unplugged wire to booster high-limit switch located behind front panel.



Turn power supply back on. Allow machine to heat up (about 5-15 minutes). Cycle machine by pushing start switch. Observe "Rinse Cycle" (last 16 seconds of cycle) must be minimum 180°F. If necessary adjust the temperature by turning the adjustment stem on thermostat clockwise to increase.