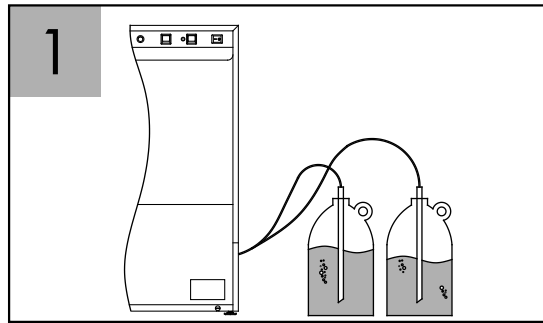
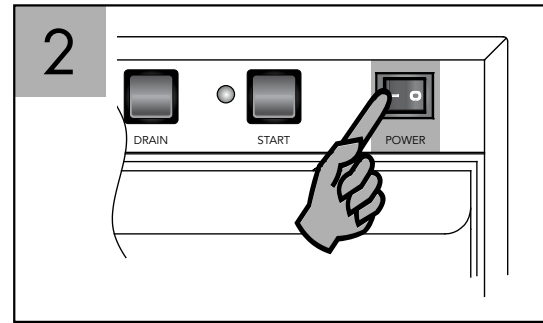


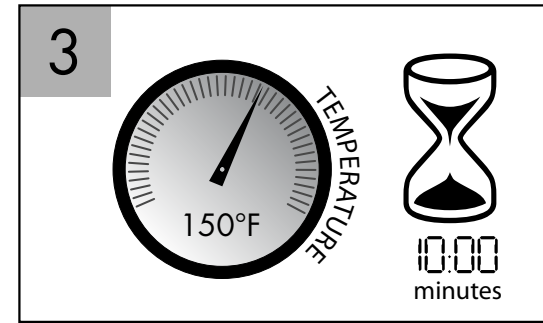
DAILY OPERATION



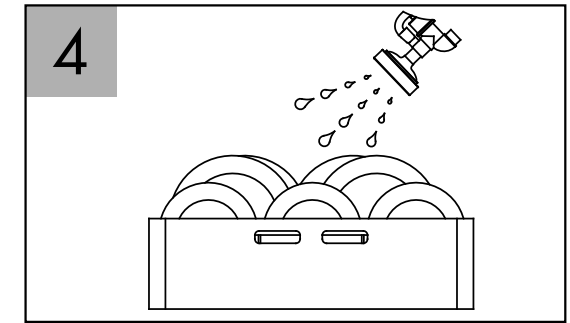
1 Check chemical levels in containers



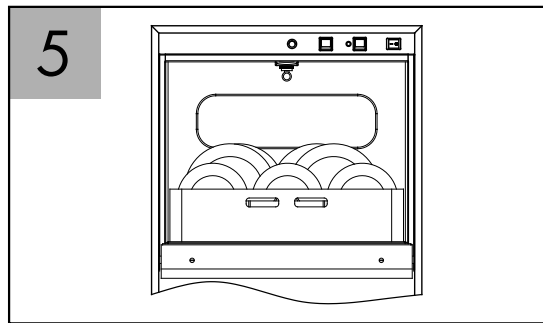
2 Flip "ON/OFF" switch to "ON" position



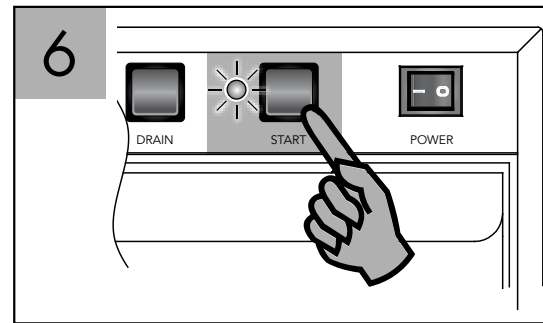
3 Wait for temperature gauge to read 150°F/66°C.



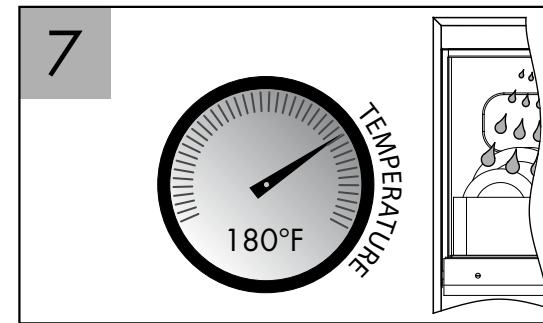
4 Prescrap wears and load into rack. Do not overload rack.



5 Load rack into dishwasher



6 Close door, press and hold "START" button for 1 second. Green in-cycle light will come on

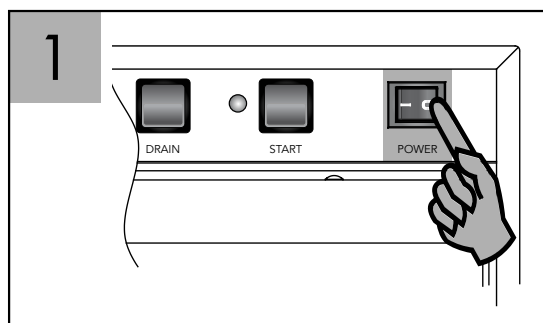


7 Final rinse temperature should be a minimum of 180°F/82°C during the final rinse.

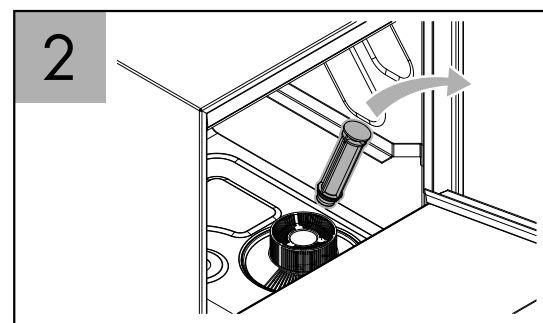
Wash cycle is extended if the final rinse water is not up to 180°F/82°C.

CYCLE IS COMPLETE WHEN GREEN LIGHT GOES OUT.

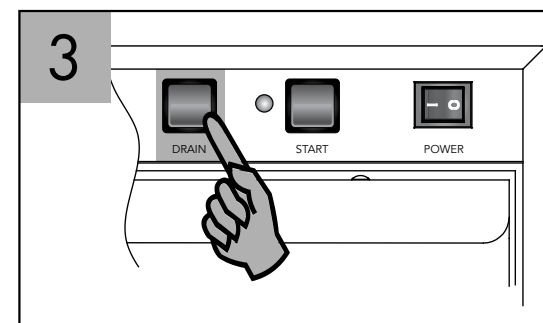
DRAINING THE MACHINE



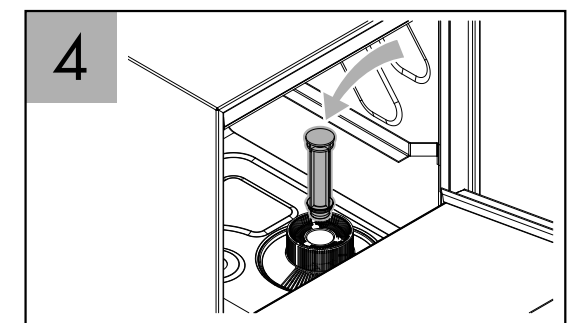
1 Flip "ON/OFF" switch to "OFF" position



2 Open door, and remove standpipe from tank.



3 Press and hold "DRAIN" button until machine has drained.



4 Perform regular cleaning and replace standpipe when finished.