

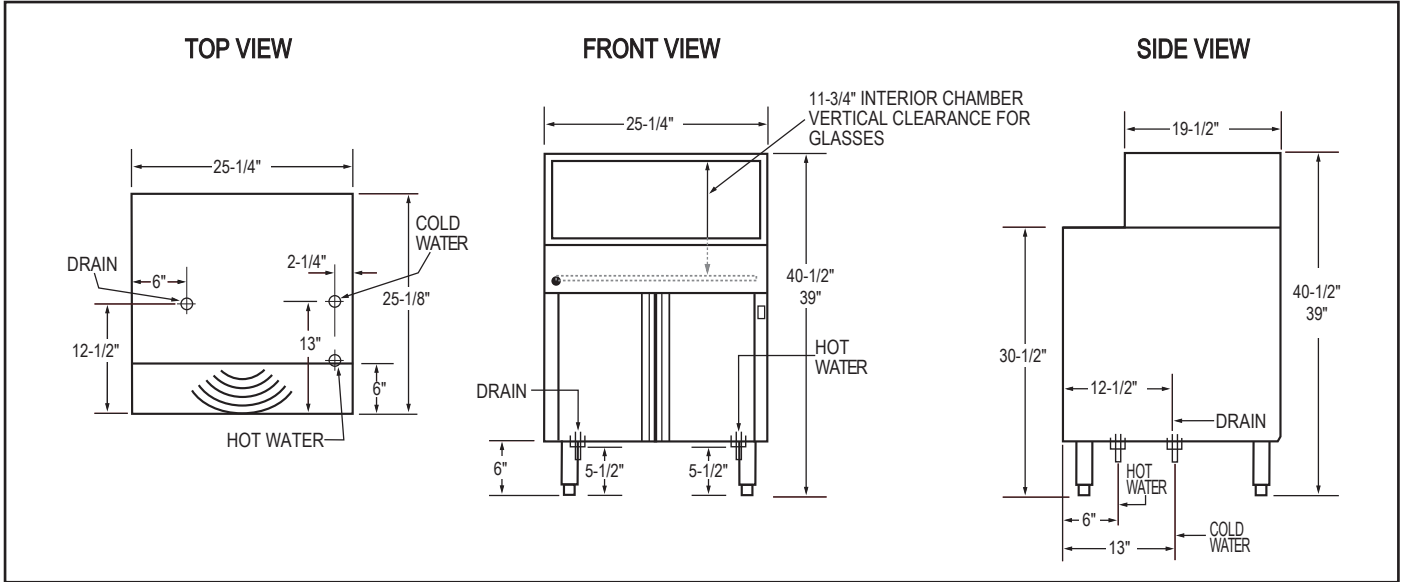




**GW-100**  
Chemical Sanitizing  
Undercounter Glasswasher

**WARNINGS:**

- Plumbing connections must be made by a qualified service company who will comply with all available Federal, State, and Local Health, Plumbing and Safety codes.
- CMA recommends utilizing a water softening system to maintain water hardness measurements of 3.5 gpg (grains per gallon) or less. This will assure maximum results and optimum operation of the dishmachine.



**Specifications:**

MODEL GW-100	USA	METRIC		USA	METRIC
<b>OPERATING CAPACITY</b> (2-1/2") GLASSES PER HOUR	1000	1000	<b>DIMENSIONS</b>	DEPTH	25-1/8" (63.8cm)
<b>OPERATING TEMPERATURES</b>				WIDTH	25-1/4" (64.1cm)
INLET WATER. (HOT) RECOMMENDED	140°F	(60°C)	HEIGHT	39"-40-1/2" (99-102.8cm)	
INLET WATER. (COLD)	75°F	(24°C)	MAXIMUM CLEARANCE FOR GLASSWARE	11-3/4" (29.84cm)	
<b>WATER CONSUMPTION</b>			<b>ELECTRICAL RATING</b> GW-100	<b>VOLTS</b> 120/60/1	<b>AMPS</b> 14.4
HOT WATER (INITIAL FILL)	3 GAL	(11.25 L)	<b>TANK HEATER - GW-100</b>	1.5kW	
HOT WATER PER HOUR (MAX)	12 GAL	(45.42 L)	<b>APPROXIMATE SHIPPING WEIGHT</b>	187#	(84.8kg)
COLD WATER PER MINUTE (APPROX)	2.8 GPM	(10.6 LPM)	<b>SHIPPING DIMENSIONS</b>	PALLET & BOX @ 29" X 28" X 41"	
<b>WATER REQUIREMENTS</b>					
HOT WATER INLET	1/2"	(1.27cm)			
COLD WATER INLET	1/2"	(1.27cm)			
DRAIN (MAX)	1-1/2"	(3.81cm)			

**Summary Specifications: Model GW-100**

The GW-100 glasswasher is designed to produce sparkling clean glassware utilizing separate detergent, sanitizer and rinse aid chemical pumps. Standard features include upper and lower wash/rinse arms, wash tank heater, Poly Pro™ conveyor, splash curtains, double-walled construction, and storage space for three 1-gallon containers. The GW-100 is constructed for extended life out of stainless steel.

**Advisory:** CMA does NOT endorse "Tankless On-Demand" water heaters for use on CMA Dishmachine products. CMA DOES endorse, and highly recommends, the standard "tank" style water heaters, sized properly to handle each particular facility with their water heating requirements.



Intertek  
3090590



Intertek  
3090590

**CMA MIZER**  
Registered Trademark

CMA Dishmachines 12700 Knott Street Garden Grove, CA 92841 • 800-854-6417 • 714-898-8781 • Fax: 714-895-2141 • www.cmadishmachines.com

CMA reserves the right to modify specifications or discontinue models without prior notification.

© 3-2020 CMA, Inc.

an Ali Group Company



The Spirit of Excellence