



CHEMICAL SANITIZING UNDERCOUNTER GLASSWASHER

GW-100

Low Temperature Undercounter Glasswasher

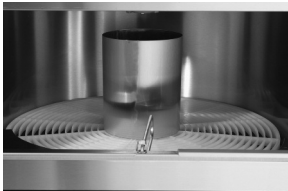


FEATURES

- Cleans and sanitizes up to 1000 2-1/2" glasses per hour.
- Hands-free glass activated on/off stop is safe and convenient.
- 11-3/4" Height Clearance
- 120V (GW-100) with built-in 1.5kW electric tank heater maintains the recirculated wash water to the recommended 140°F wash temperature.
- Compatible with both Iodine and Chlorine Sanitizers.
- Simple controls for operation and cleaning.
- All stainless steel construction assures trouble free service and a long life.
- Optional rinse temperature allows flexible sanitizing options.
- Poly Pro™ circular conveyor is extremely durable and reduces chipping and breakage of glassware.
- Double wall construction for quiet back bar operation.
- Internal chemical storage.
- Built-in chemical pumps with primer switches.
- Includes drain tray and waste collector.

CMA MODEL: GW-100

AVAILABLE OPTIONS



Stainless steel wash/rinse chamber.



Independent spray arms blast water from the top and bottom for optimum cleaning, sanitizing and rinsing.

- 4" Stainless Steel Legs (6" Legs are standard).



Intertek 3090590



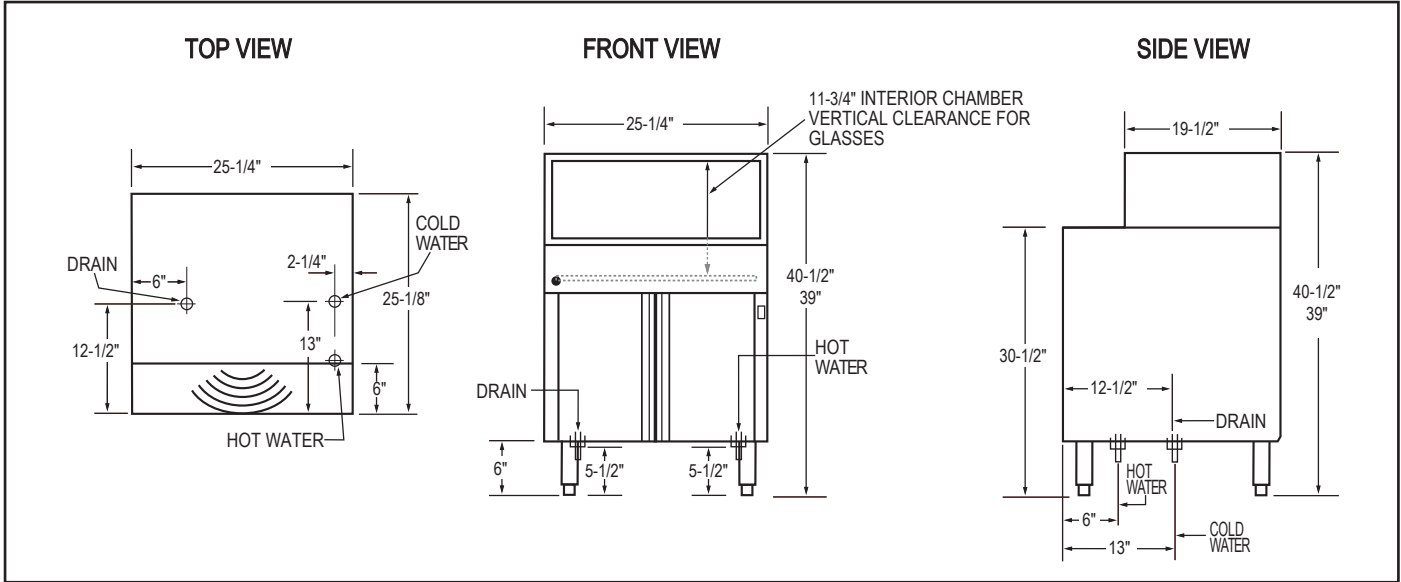
Intertek 3090590



GW-100
Chemical Sanitizing
Undercounter Glasswasher

WARNINGS:

- Plumbing connections must be made by a qualified service company who will comply with all available Federal, State, and Local Health, Plumbing and Safety codes.
- CMA recommends utilizing a water softening system to maintain water hardness measurements of 3.5 gpg (grains per gallon) or less. This will assure maximum results and optimum operation of the dishmachine.



Specifications:

MODEL GW-100	USA	METRIC		USA	METRIC
OPERATING CAPACITY (2-1/2") GLASSES PER HOUR	1000	1000	DIMENSIONS	DEPTH	25-1/8" (63.8cm)
OPERATING TEMPERATURES				WIDTH	25-1/4" (64.1cm)
INLET WATER. (HOT) RECOMMENDED	140°F	(60°C)	HEIGHT	39"-40-1/2" (99-102.8cm)	
INLET WATER. (COLD)	75°F	(24°C)	MAXIMUM CLEARANCE FOR GLASSWARE	11-3/4" (29.84cm)	
WATER CONSUMPTION			ELECTRICAL RATING GW-100	VOLTS 120/60/1	AMPS 14.4
HOT WATER (INITIAL FILL)	3 GAL	(11.25 L)	TANK HEATER - GW-100	1.5kW	
HOT WATER PER HOUR (MAX)	12 GAL	(45.42 L)	APPROXIMATE SHIPPING WEIGHT	187#	(84.8kg)
COLD WATER PER MINUTE (APPROX)	2.8 GPM	(10.6 LPM)	SHIPPING DIMENSIONS	PALLET & BOX @ 29" X 28" X 41"	
WATER REQUIREMENTS					
HOT WATER INLET	1/2"	(1.27cm)			
COLD WATER INLET	1/2"	(1.27cm)			
DRAIN (MAX)	1-1/2"	(3.81cm)			

Summary Specifications: Model GW-100

The GW-100 glasswasher is designed to produce sparkling clean glassware utilizing separate detergent, sanitizer and rinse aid chemical pumps. Standard features include upper and lower wash/rinse arms, wash tank heater, Poly Pro™ conveyor, splash curtains, double-walled construction, and storage space for three 1-gallon containers. The GW-100 is constructed for extended life out of stainless steel.

Advisory: CMA does NOT endorse "Tankless On-Demand" water heaters for use on CMA Dishmachine products. CMA DOES endorse, and highly recommends, the standard "tank" style water heaters, sized properly to handle each particular facility with their water heating requirements.



Intertek
3090590



Intertek
3090590

CMA MIZER
Registered Trademark

CMA Dishmachines 12700 Knott Street Garden Grove, CA 92841 • 800-854-6417 • 714-898-8781 • Fax: 714-895-2141 • www.cmadishmachines.com

CMA reserves the right to modify specifications or discontinue models without prior notification.

© 3-2020 CMA, Inc.

an Ali Group Company



The Spirit of Excellence