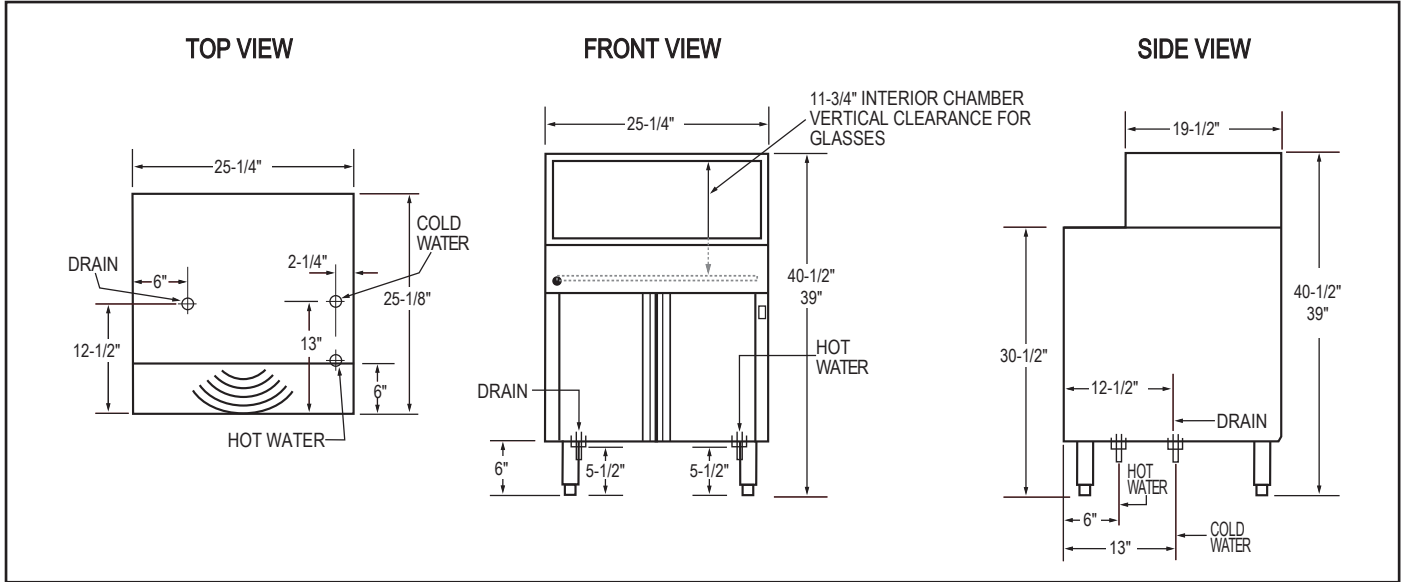




GL-C
Chemical Sanitizing
Undercounter Glasswasher

WARNINGS:

- Plumbing connections must be made by a qualified service company who will comply with all available Federal, State, and Local Health, Plumbing and Safety codes.
- CMA recommends utilizing a water softening system to maintain water hardness measurements of 3.5 gpg (grains per gallon) or less. This will assure maximum results and optimum operation of the dishmachine.



Specifications:

MODEL GL-C	USA	METRIC	USA	METRIC
OPERATING CAPACITY (2-1/2") GLASSES PER HOUR	1000	1000		
OPERATING TEMPERATURES				
INLET WATER. (HOT) RECOMMENDED	140°F	(60°C)		
INLET WATER. (COLD)	75°F	(24°C)		
WATER CONSUMPTION				
HOT WATER (INITIAL FILL)	3 GAL	(11.25 L)		
HOT WATER PER HOUR (MAX)	12 GAL	(45.42 L)		
COLD WATER PER MINUTE (APPROX)	2.8 GPM	(10.6 LPM)		
WATER REQUIREMENTS				
HOT WATER INLET	1/2"	(1.27cm)		
COLD WATER INLET	1/2"	(1.27cm)		
DRAIN (MAX)	1-1/2"	(3.81cm)		
DIMENSIONS				
DEPTH	25-1/8"	(63.8cm)		
WIDTH	25-1/4"	(64.1cm)		
HEIGHT	39"-40-1/2"	(99-102.8cm)		
MAXIMUM CLEARANCE FOR GLASSWARE	11-3/4"	(29.84cm)		
ELECTRICAL RATING GL-C	VOLTS	AMPS		
	208-230/60/1	14.8-14.6		
TANK HEATER - GL-C		3kW		
APPROXIMATE SHIPPING WEIGHT	188#	(85kg)		
SHIPPING DIMENSIONS	PALLET & BOX @ 29" X28" X 41"			

Summary Specifications: Model GL-C

The GL-C glasswasher is designed to produce sparkling clean glassware utilizing separate detergent, sanitizer and rinse aid chemical pumps. Standard features include upper and lower wash/rinse arms, wash tank heater, Poly Pro™ conveyor, splash curtains, double-walled construction, and storage space for three 1-gallon containers. The GL-C is constructed for extended life out of stainless steel.

Advisory: CMA does NOT endorse "Tankless On-Demand" water heaters for use on CMA Dishmachine products. CMA DOES endorse, and highly recommends, the standard "tank" style water heaters, sized properly to handle each particular facility with their water heating requirements.



CMA Dishmachines 12700 Knott Street Garden Grove, CA 92841 • 800-854-6417 • 714-898-8781 • Fax: 714-895-2141 • www.cmadishmachines.com

CMA reserves the right to modify specifications or discontinue models without prior notification.

© 3-2020 CMA, Inc.

an Ali Group Company



The Spirit of Excellence