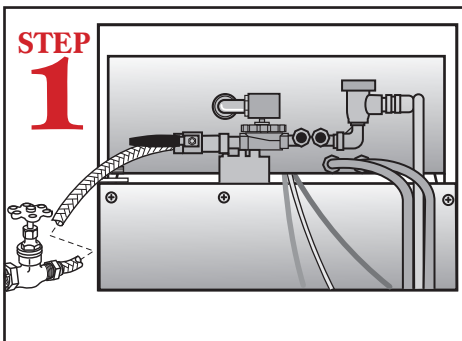
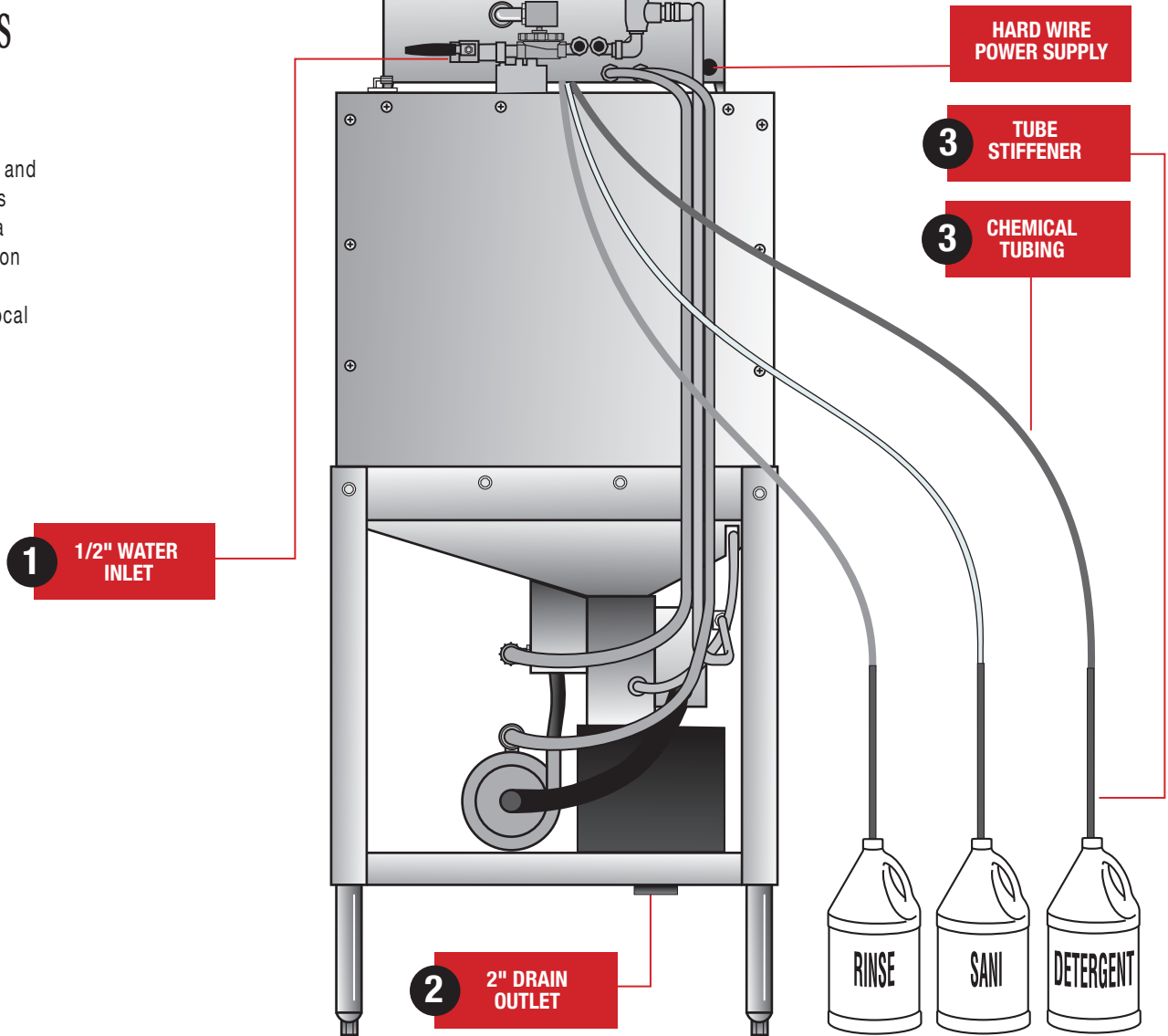


# Model EST-Front Loader Quick Setup Instructions

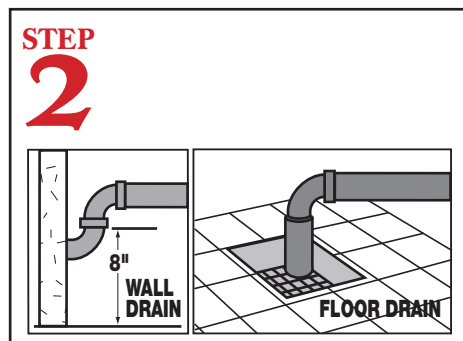


MODEL EST FRONT LOADER  
REAR VIEW

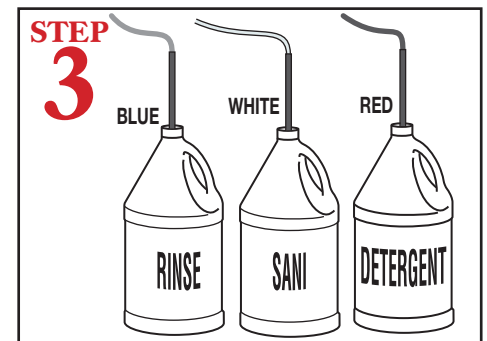
**WARNING:** Electrical and plumbing connections need to be made by a licensed service person and comply with all Federal, State and Local Health, Electrical, Plumbing and Safety codes.



**STEP 1**  
Connect dishmachine to hot water source recommended 140 temperature (120 minimum temperature required).



**STEP 2**  
Connect a 2" drain pipe (not supplied) from scrap accumulator to floor or wall drain.



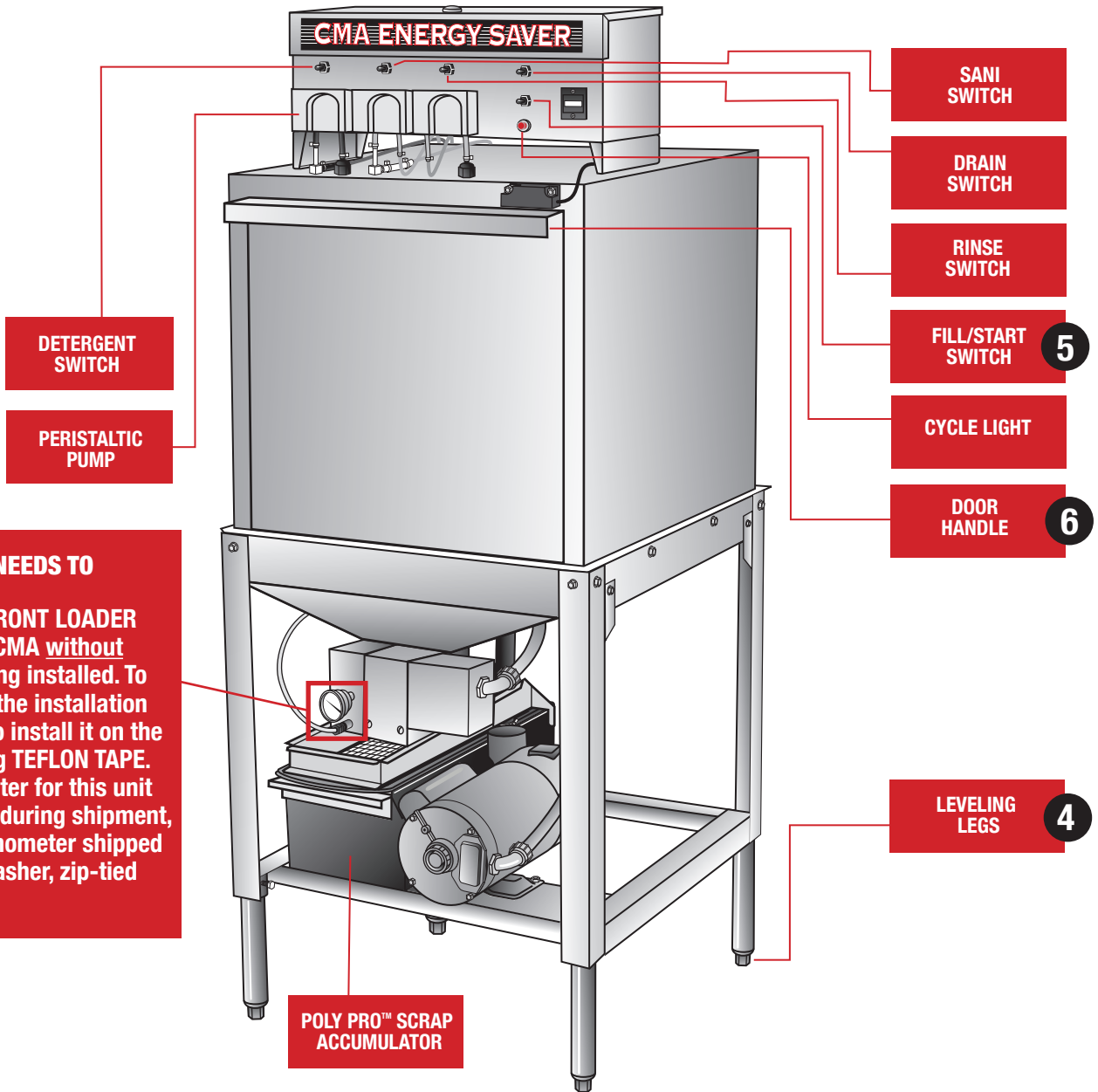
**STEP 3**  
Insert tube stiffener with chemical tubing into each corresponding chemical dispenser.

# Model EST-Front Loader

## Quick Setup Instructions

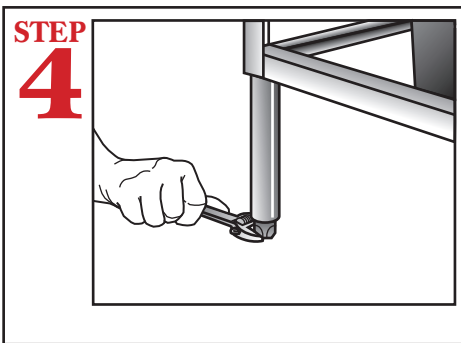
**WARNING:** Electrical and plumbing connections need to be made by a licensed service person and comply with all Federal, State and Local Health, Electrical, Plumbing and Safety codes.

MODEL EST FRONT LOADER  
FRONT VIEW

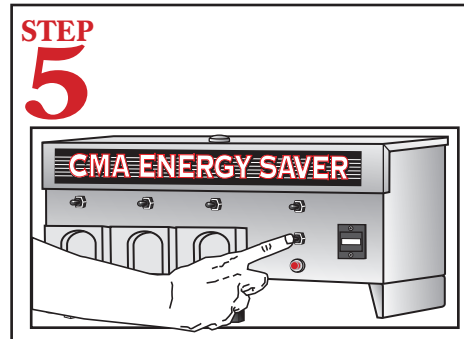


### THERMOMETER NEEDS TO BE INSTALLED:

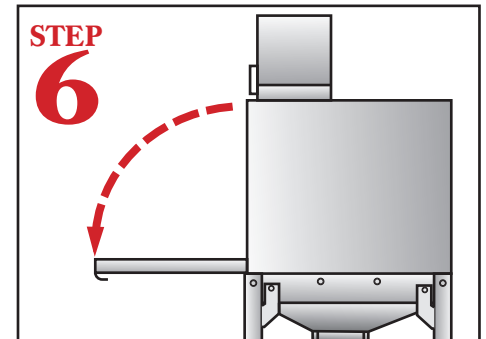
The Model EST FRONT LOADER is Shipped from CMA without thermometer being installed. To prevent leaking, the installation Team will need to install it on the dishwasher using TEFLON TAPE. So the thermometer for this unit is not misplaced during shipment, please find thermometer shipped inside the dishwasher, zip-tied to the dishrack.



Level dishmachine by adjusting leveling legs. Dishmachine must be level front and back to ensure proper performance.



Press the "FILL/START" switch. Hold in the "FILL" position until the water overflows into the scrap accumulator.



Open dishmachine doors completely. Closing the door will automatically activate the machine.