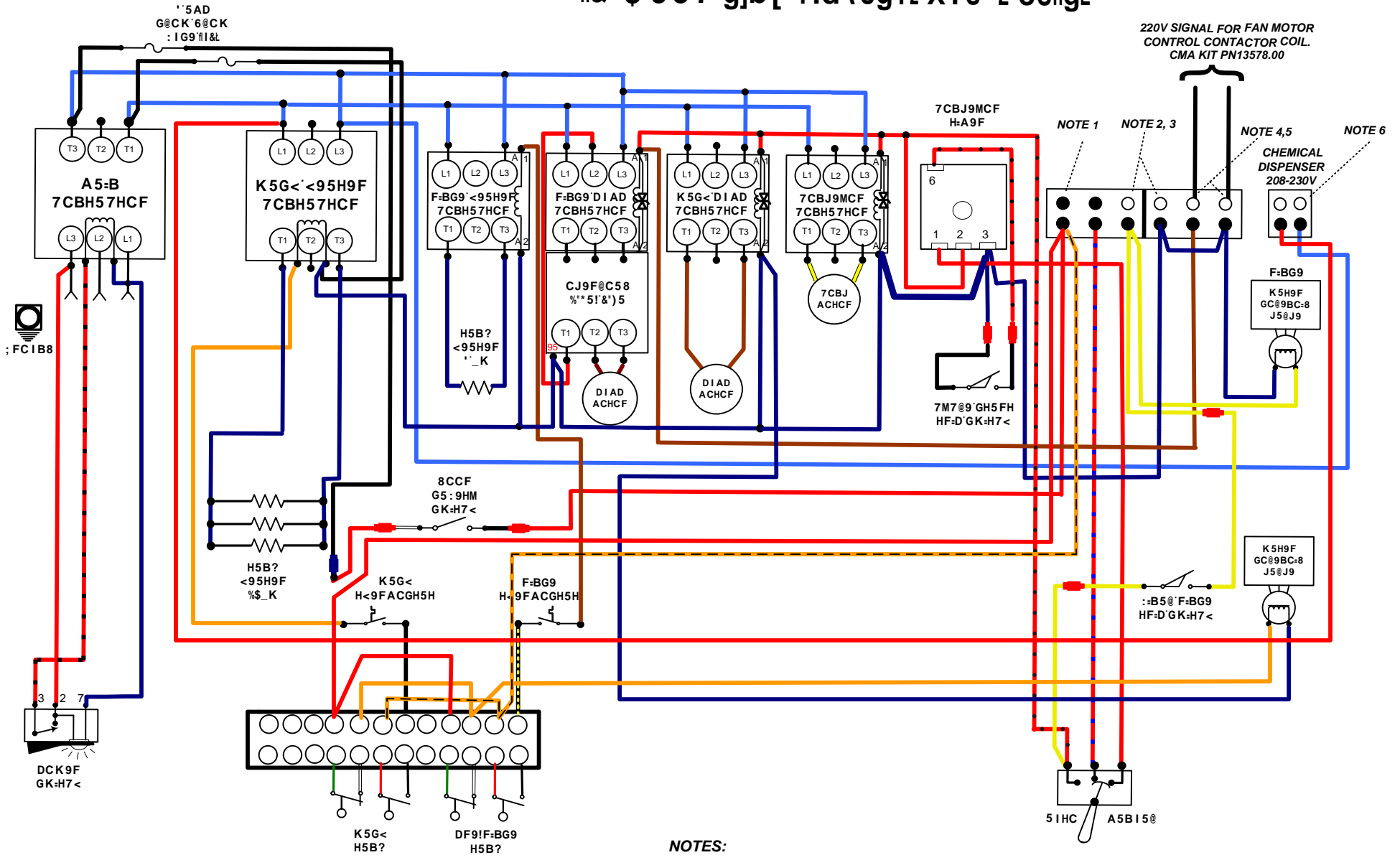




# K=F9'8=5 ; F5A':CF'AC89@.'9GH!( (

fI&'\$'J57'g]b[`Y!d\UgYz`XiU`Z`cUhgk

FYj''&\$)  
07/2023



**NOTES:**

- 1: TABLE LIMIT SWITCH CONNECTION PRE-WIRED AT FACTORY.
- 2: SANI/RINSE. SIGNAL IS ON WHEN FINAL RINSE IS ACTIVE.
- 3: CONNECT ONLY TO PRIMARY OF LISTED CLASS 2 TRANSFORMER 208-230V 60Hz MAXIMUM 100VA.
- 4: DETERGENT FEEDER SIGNAL AND FAN MOTOR CONTROL CONTACTOR COIL.
- 5: COMBINED LOAD OF USER DEVICES (CHEMICAL PUMPS, FAN CONTROLS, ETC.) MUST NOT EXCEED 1 AMP.
- 6: DISPENSER POWER BLOCK 208-240 VOLTS