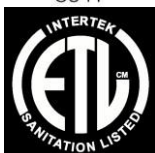




MODELS
EAH / EC/E TALL/3-Door
Parts Manual
Revision 1.05A



CMA DISHMACHINES
17707 VALLEY VIEW AVE
CERRITOS, CALIFORNIA 90703

800-854-6417

FAX 714-895-2141

www.cmadishmachines.com


	Title	Parts Manual	Rev 1.05A
	Model	EAH / EC Dishwasher	08/10/18

TABLE OF CONTENTS

PARTS MANUAL..... 3

Initial Parts Kit (Part # 01100.85) 3

Exploded View Drawings 4

 Cabinet Assembly (E/E Tall) 4

 Cabinet Assembly (E-3Door)..... 5

 Control Box..... 6

 Plumbing System (Effective September 2013)..... 7

 Plumbing System 8

 Pump Assembly 9

 Spray System Assembly E/E Tall..... 10

 Optional Sani Alarm System Assembly 11

 Drain System Assembly 12

 Door Actuator Assembly (Straight) (E/E Tall)..... 13

 Door Actuator Assembly (Straight) (3-Door)..... 13


 Door Actuator Assembly (Corner) (E/E Tall) 15

 Peristaltic Pump Assembly 16

Optional Solid Bowl CMA..... 17

Optional Solid Bowl Sunburst Chemicals (AH and C) 18


 Temp – Sure Heater 19

	Title	Parts Manual	Rev 1.05A
	Model	EAH / EC Dishwasher	08/10/18

PARTS MANUAL

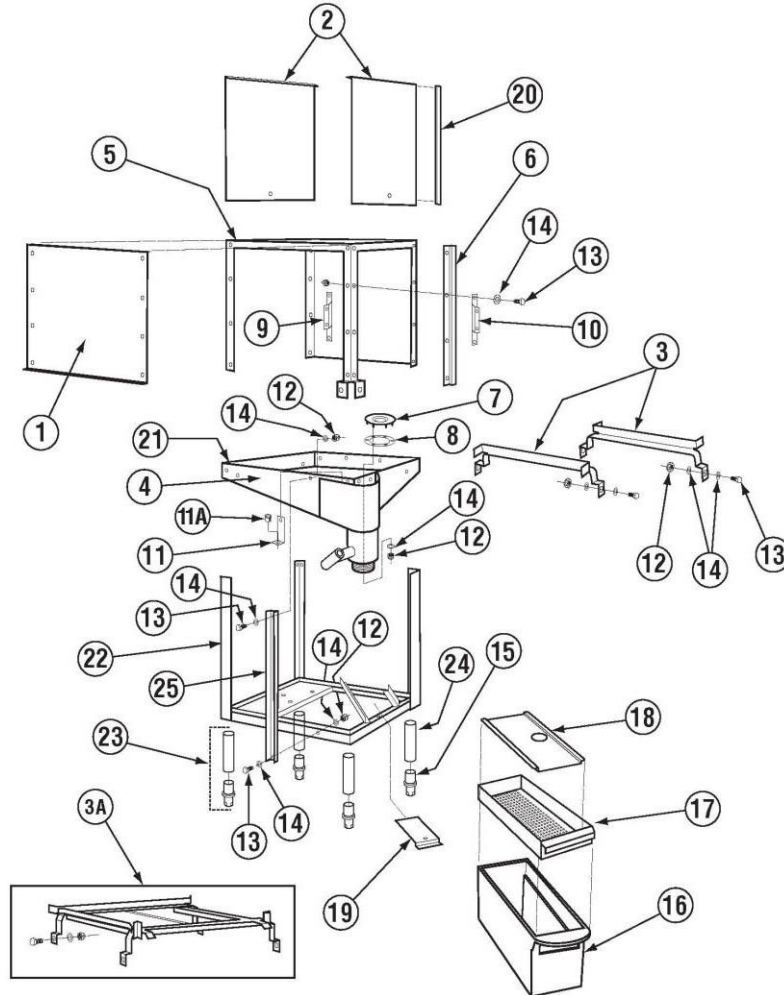
Initial Parts Kit (Part # 01100.85)

PART NO.	DESCRIPTION	QTY
00100.40	Drain Ball Solenoid 120V	1
00115.08	Drain Sump Screen (A/C)	1
00120.02	Thermometer (Bi Metal)	1
00121.25	Drain Ball Assy.	1
00200.10	Pump Assy. 110/220V 60Hz (Open)	1
00206.30	Pump Seal Kit	1
00307.30	Spray Arm Assy.ES Long	1
00404.82	Motor Contactor 115V/60HZ	1
00411.00	Micro Switch	1
00415.00	Peristaltic Pump Assy 120V/60hz	1
00418.00	Peristaltic Pump Cover	1
00425.51	Chemical Tubing Blue	50'
00425.53	Chemical Tubing Red	50'
00425.54	Chemical Tubing White	50'
00471.10	Tiggle Switch DPST (20 Amp)	1
00500.00	Timer Motor 90 Sec 110V/60Hz	1
00562.00	Roller Door Switch	1
00602.00	Door Spring	1
00631.00	Ice Cube Relay 120V	1
00707.00	½ Water Solenoid	1
00738.10	Solenoid Coil JE 115V (3/4& ½)	1
00955.00	5/16-18 X 5/8 Thumbscrew	1
01550.00	Solenoid Stop	1
02257.00	Squeeze Tube 8" Norprene	1
03470.01	Toggle Switch(Moment) .25 Flat Term	1

	Title	Parts Manual	Rev 1.05A
	Model	EAH / EC Dishwasher	08/10/18


Exploded View Drawings

Cabinet Assembly (E/E Tall)

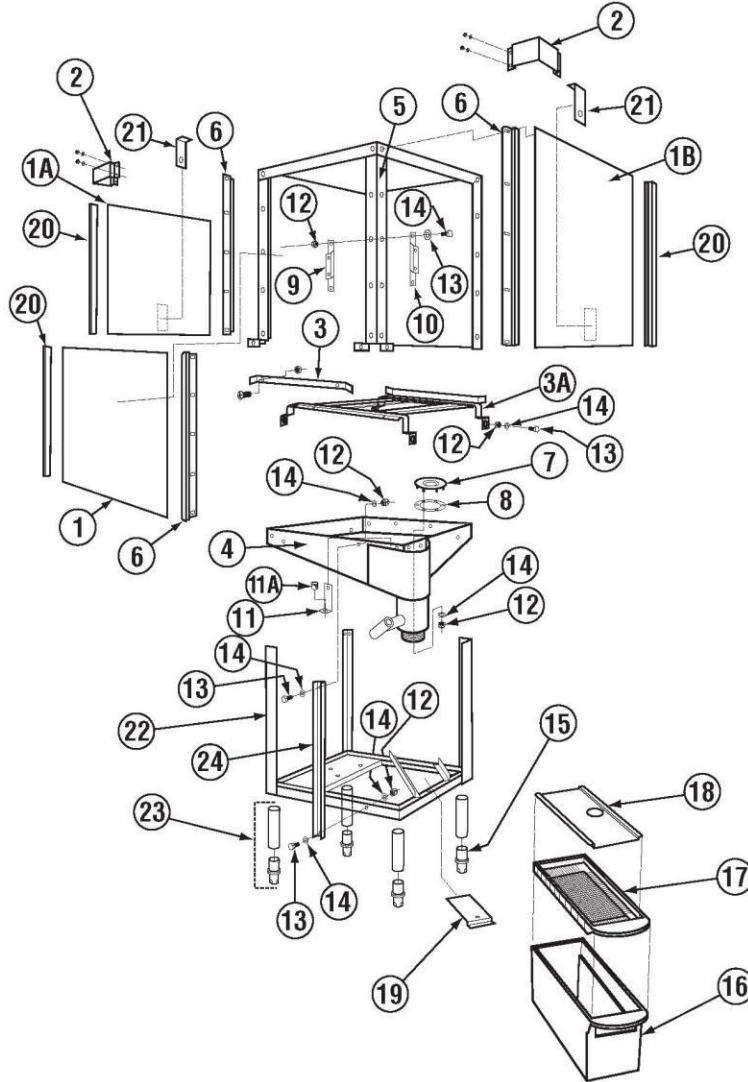


Item	Qty	PartNo	Description
01	1	01540.40	Wrapper Panel EAH/EST
		01540.44	Wrapper Panel E/EVA Tall
02	2	01506.30	Door Standard (Stamped)
		01506.10	Door Pizza w/Dimple Stamped
03	2	01505.32	Tray Track Inline AH
03a	1	01505.10	Tray Track (EST/EC/CMA-180)
04	1	01502.70	E Pan - Bolt On No Legs
05	1	01510.40	Wrapper E (2010)
		01510.42	Wrapper E Tall (2010)
06	4	01554.30	EZ Glide Door Guide SS 21 1/8"
		17554.00	CMA-180/P Door Guide 26 3/8"
07	1	00124.65	Drain Ball Seat EAH/EC
08	1	00125.10	Drain Sump Gasket For E Dm
		00101.10	Solenoid Bracket C RH
09	1	00101.30	Solenoid Bracket C"P" RH
		00101.20	Solenoid Bracket C LH
10	1	00101.40	Solenoid Bracket C"P" LH

Item	Qty	PartNo	Description
11	1	01558.10	Chem Tube Support Bracket eah
11a	1	00427.00	Snap Bushing 375-4
12	31	00912.00	1/4-20 Nylon Lock Nut
13	4	00906.00	1/4-20 X 1/2 Hexhead Bolt
14	9	00924.00	1/4 SS Washer
15	4	01310.20	Bullet Foot Plastic
16	1	01577.10	Molded Scrap Trap Body - New
17	1	01577.21	S/S Scrap Trap Drawer
18	1	01577.30	Scrap Trap Lid - SS
19	1	01577.50	Molded Scrap Trap-Mount Bracket
		00636.10	EZ Glide Door Guide Sq 21 7/8"
20	4	00636.15	EZ Glide Door Guide 25 7/8"
		01502.70	E Pan - Bolt On No Legs
21	1	01502.70	E Pan - Bolt On No Legs
22	1	01502.75	E Stand - Bolt On No Legs
23	4	01145.00	^Leg Assy w\Adjustable Socket
24	4	01145.00	^Leg Ass'y 10" w\Adjustable Soc.
25	1	01570.24	Pan Support Bracket - C long


	Title	Parts Manual	Rev 1.05A
	Model	EAH / EC Dishwasher	08/10/18

Cabinet Assembly (E-3Door)

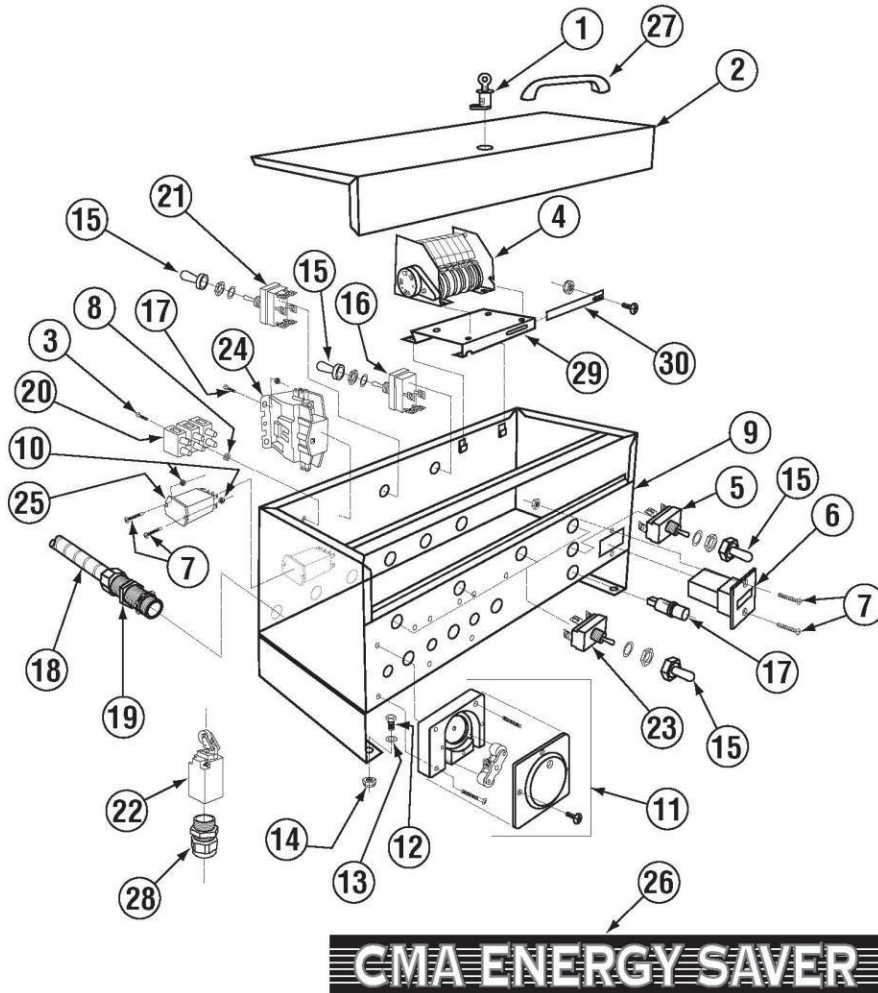


Item	Qty	Part No	Description
01	1	01506.38	E 3 Door (Front Door)
01a	1	01506.37	E 3 Door (Left Door)
01b	1	01506.39	E 3 Door (Right Door)
02	2	01516.50	3-Door Bracket outside Style
03	1	01505.16	Corner Tray Track Bolt On Rail
03a	1	01505.10	Tray Track
04	1	01502.70	Pan - Bolt On No Legs
05	1	01510.40	Wrapper
06	6	01554.30	EZ Glide Door Guide SS 21 1/8"
07	1	00124.65	Drain Ball Seat
08	1	00125.10	Drain Sump Gasket
09	1	00101.20	Solenoid Bracket C LH
10	1	00101.10	Solenoid Bracket C RH
11	1	01558.20	Chem. Support Bracket

Item	Qty	Part No	Description
11a	3	00427.00	Snap Bushing 375-4
12	31	00912.00	1/4-20 Nylon Lock Nut
13	4	00906.00	1/4-20 X 1/2 Hexhead Bolt
14	9	00924.00	1/4 SS Washer
15	4	01310.20	Bullet Foot Plastic
16	1	01577.10	Molded Scrap Trap Body - New
17	1	01577.21	S/S Scrap Trap Drawer
18	1	01577.30	Molded Scrap Trap Lid - SS
19	1	01577.50	Molded Scrap Trap-Mount Bracket
20	6	00636.10	EZ Glide Door Guide Sq 21 7/8"
21	2	17552.00	Door Stop
22	1	01502.75	E Stand - Bolt On No Legs
23	4	01145.00	Leg Assy. w/Adjustable Socket
24	1	01570.24	Pan Support Bracket - C long

	Title	Parts Manual	Rev 1.05A
	Model	EAH / EC Dishwasher	08/10/18


Control Box



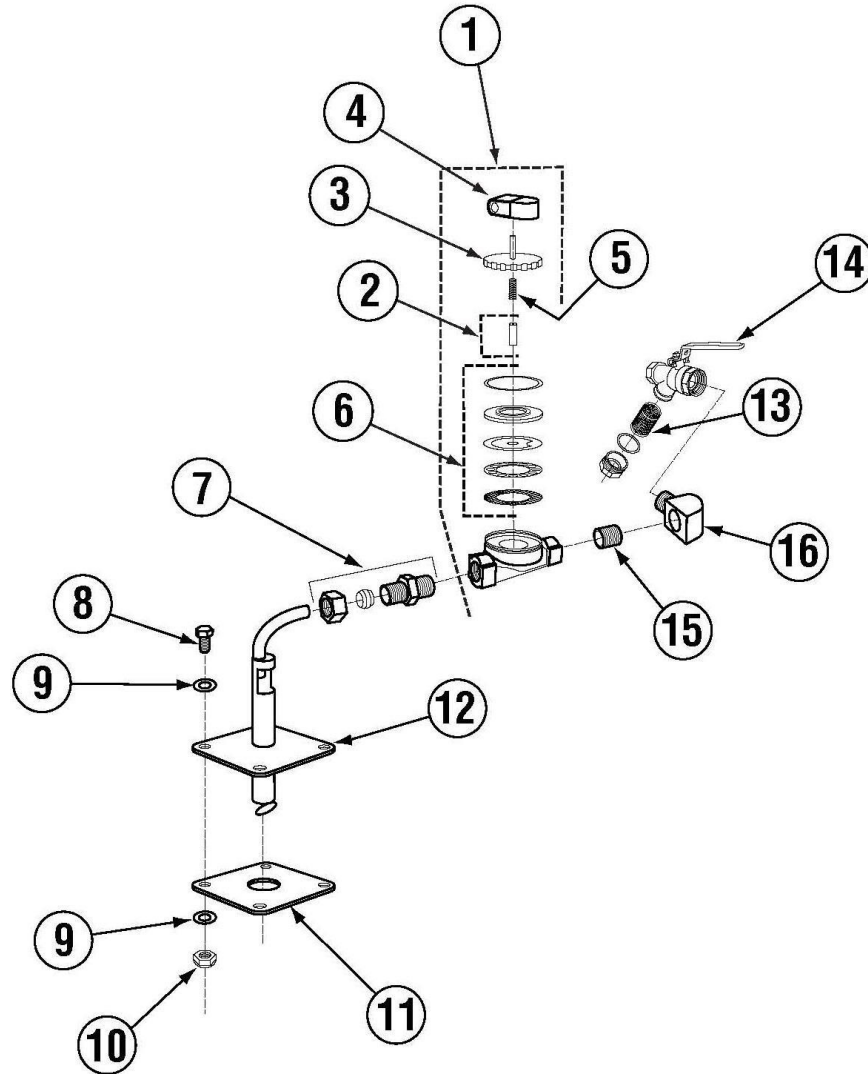
Note: Wiring Harness (V)—Part Number 00414.82—(not shown).

ITEM NO.	NO. REQ'D	P/N	DESCRIPTION
1	1	00449.00	Lock and Key
2	1	01504.17	Control Box Lid
3	5	00911.50	8-32 x 3/8" Pan Head Screw
4	1	00407.80	Timer, 90 Seconds Motor PN 00500.00
5	1	03470.01	Toggle Switch, Momentary
6	1	03408.50	Counter (Face Mount)
7	4	00907.00	6-32 x 1/2" SS Pan Head Screw
8	4	00917.00	8-32 PM Nut
9	1	01503.19	Control Box Body
10	4	00916.00	6-32 pm nut
11	3	00415.00	Peristaltic Pump Assembly*
12	4	00906.00	1/2-20 x 1/2" Hex Head Bolt
13	4	00924.00	1/4" SS Washer
14	4	00912.00	1/4-20 Nylon Lock Nut
15	5	00470.10	Toggle Switch Boot

ITEM NO.	NO. REQ'D	P/N	DESCRIPTION
16	1	00471.10	Toggle Switch Off/On 20 Amp
17	2	00406.00	Control Box Light, 120V, 60Hz
18	1	00400.00	Conduit, 3/8" Sealtite
19	3	00401.00	S.T. 3/8" Straight Connector
20	1	00454.10	3-Pole Socket Terminal Block
21	1	00475.70	Toggle Switch, 15 Amp
22	1	00562.00	Door Limit Switch, Roller Action
23	4	03470.00	Toggle Switch
24	1	00404.82	Contacter Relay
25	1	00631.00	Ice Cube Relay
26	1	06232.25	CMA Energy Saver Label
27	1	00535.00	Control Box Lid Handle
28	1	00562.60	Connector, #562 Door Limit Switch
29	1	01503.18	Control Box (E/EST) Timer Mount
30	1	01514.17	Timer Support Tab (E/EST) 2010


	Title	Parts Manual	Rev 1.05A
	Model	EAH / EC Dishwasher	08/10/18

Plumbing System (Effective September 2013)

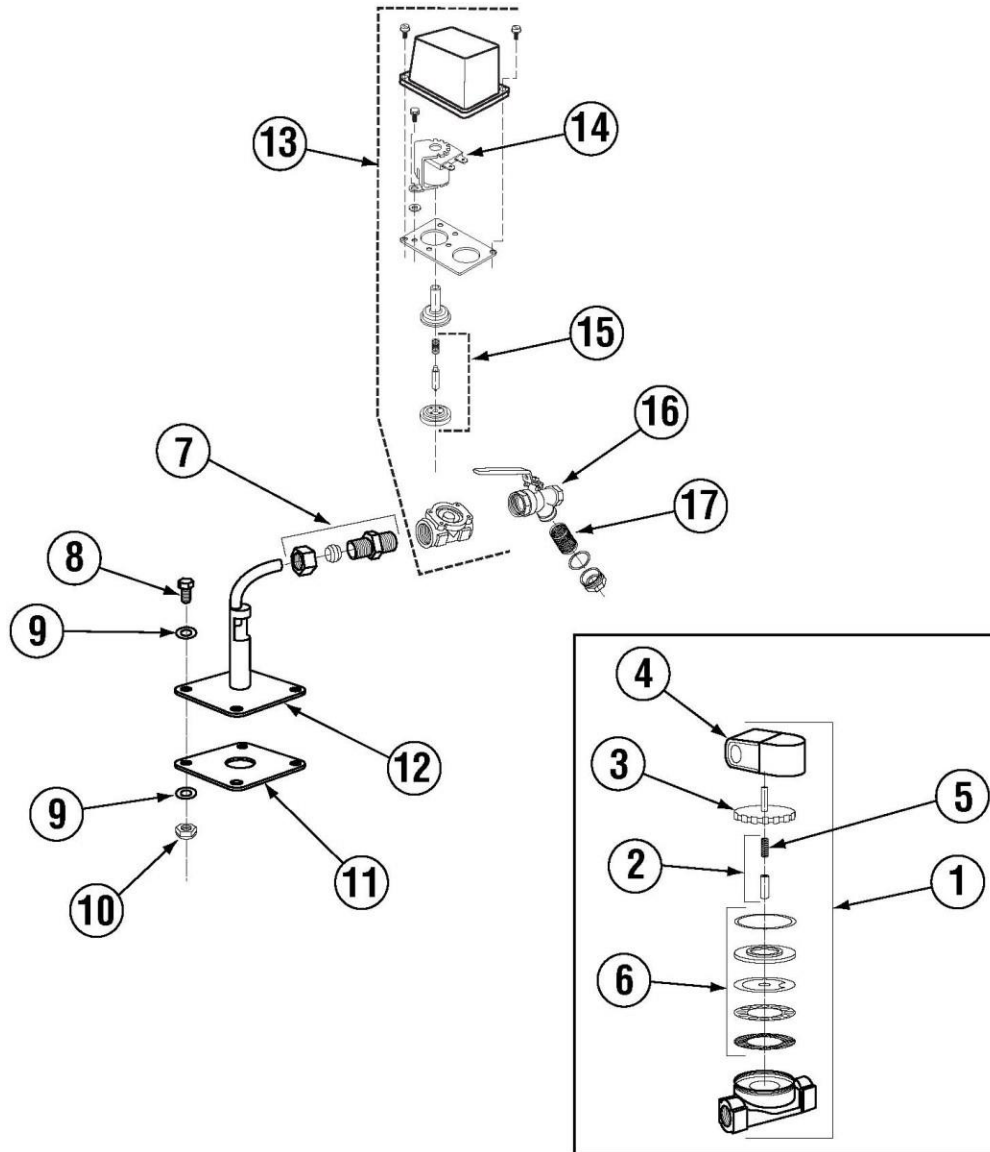


Item	Qty	PartNo	Description
01	1	03603.10	½ Water Sol Valve 120v/60hz
02	1	00786.00	Water Sol Plunger G JE ¾ & ½
03	1	03603.20	½ Water Solenoid Bonnet
04	1	00738.10	Solenoid Coil JE 120V (¾ & ½)
05	1	00706.10	¾ Solenoid JE Spring Only
06	1	00707.00	½ Water Solenoid Repair Kit JE
07	1	00760.00	5/8 Comp X 1/2 MIP Adapter
08	4	00914.10	1/4-20 X 5/8 Hexhead Bolt

Item	Qty	PartNo	Description
09	8	00924.00	1/4 SS Washer
10	12	00912.00	1/4-20 Nylon Lock Nut
11	1	04306.00	Square Manifold Gasket
12	1	00710.00	Air Gap
13	1	41062.10	1/2 Ball Valve Strainer Only
14	2	41062.00	1/2 Strainer Ball Valve NPT
15	1	00742.00	Nipple Brass 1/2x1/2
16	1	00745.00	½ 90 Deg Street Elbow


	Title	Parts Manual	Rev 1.05A
	Model	EAH / EC Dishwasher	08/10/18

Plumbing System

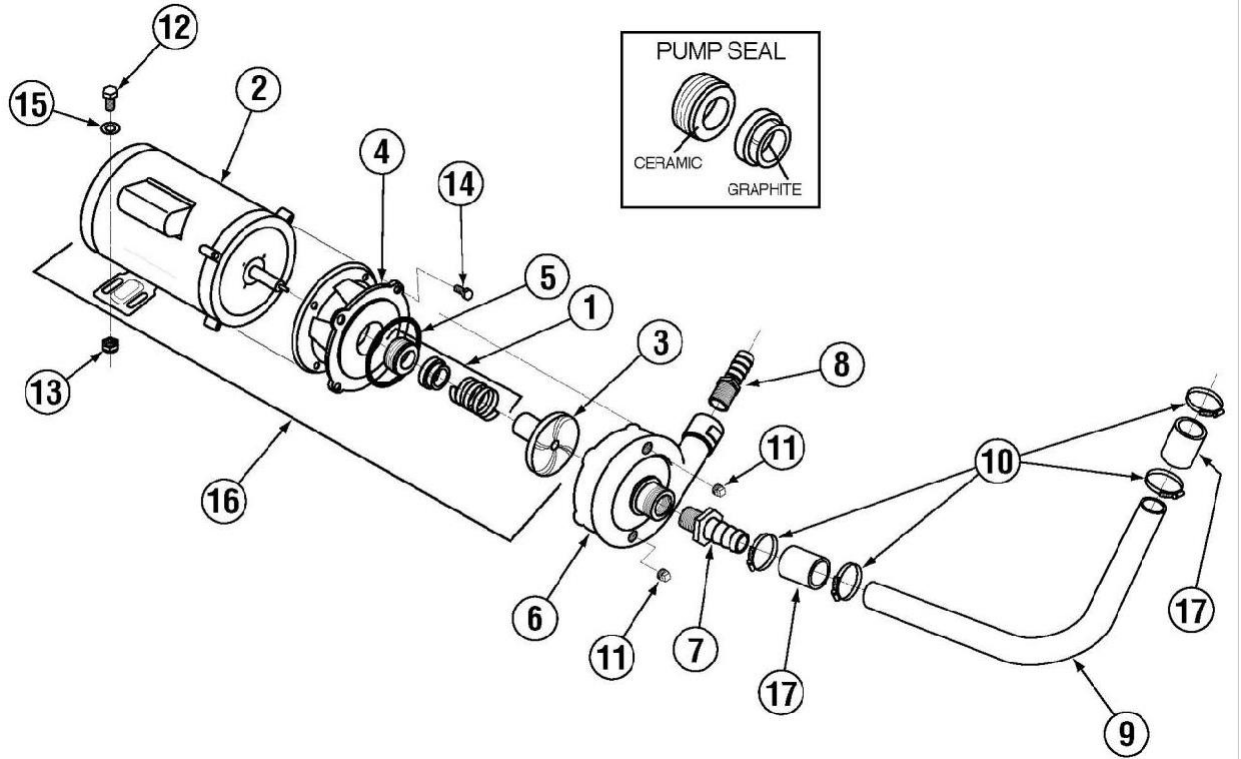


Item	Qty	PartNo	Description
01	1	03603.10	½ Water Sol Valve 120v/60hz
02	1	00786.00	Water Sol Plunger G JE ¾ & ½
03	1	03603.20	½ Water Solenoid Bonnet
04	1	00738.10	Solenoid Coil JE 120V (¾ & ½)
05	1	00706.10	¾ Solenoid JE Spring Only
06	1	00707.00	½ Water Solenoid Repair Kit JE
07	1	00760.00	5/8 Comp X 1/2 MIP Adapter
08	4	00914.10	1/4-20 X 5/8 Hexhead Bolt
09	8	00924.00	1/4 SS Washer

Item	Qty	PartNo	Description
10	4	00912.00	1/4-20 Nylon Lock Nut
11	1	04306.00	Square Manifold Gasket
12	1	00710.00	Air Gap
13	1	03604.00	SS Water Solenoid Valve ½" 110
14	1	41015.60	Water Solenoid Coil Only 110V
15	1	03604.30	Dema Valve Repair Kit 3/8", 1/2"
16	1	41062.00	¾ Strainer Ball Valve
17	1	41062.10	¾ Ball Valve Strainer Only


	Title	Parts Manual	Rev 1.05A
	Model	EAH / EC Dishwasher	08/10/18

Pump Assembly

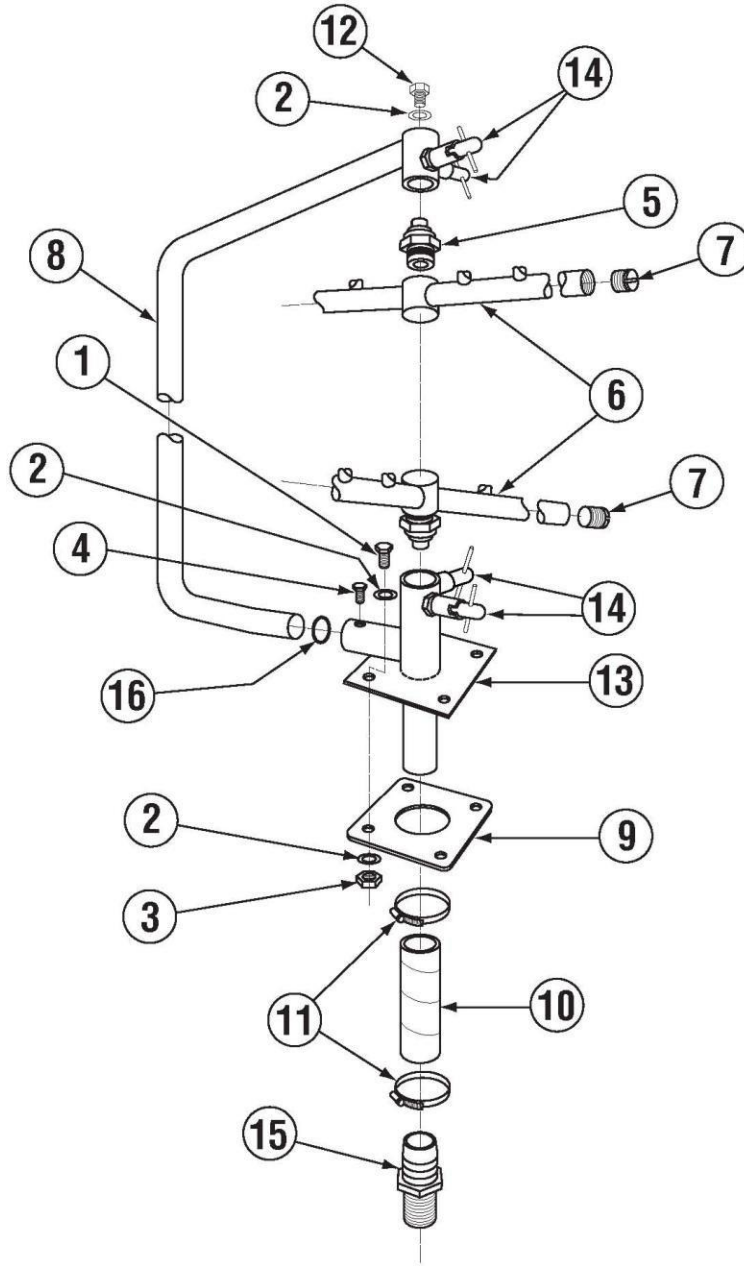


Item	Qty	PartNo	Description
01	1	00206.30	Pump Seal Kit
02	1	00201.00	Pump Motor 1Hp 115/208-230V
03	1	03222.10	Impeller (Universal) Open
04	1	4207.10	Pump Base
05	1	03226.00	Pump O Ring Gasket
06	1	04207.20	Pump Cover
07	1	50302.40	1 1/4 MIP X 1" Barb Fitting
08	1	50302.06	1" MPT X 1" Barb PVC Sch 80
09	1	00246.40	Motor Suction Tube E machine

Item	Qty	PartNo	Description
10	2	03101.00	Hose Clamp # 16 1"
11	2	00238.00	3/8 Male Plug
12	1	00906.00	1/4-20 X 1/2 Hexhead Bolt
13	1	00912.00	1/4-20 Nylon Lock Nut
14	4	00921.00	3/8-16 X 3/4 SS Hexhead Bolt
15	1	00924.00	1/4 SS Washer
16	1	00200.10	Pump Assy 110/ 220V 60Hz
17	2	03108.67	Transfer Hose 1" Reinforced 2"

	Title	Parts Manual	Rev 1.05A
	Model	EAH / EC Dishwasher	08/10/18


Spray System Assembly E/E Tall



Item	Qty	PartNo	Description
01	4	00914.00	1/4-20 X 3/4 Hexhead Bolt
02	9	00924.00	1/4 SS Washer
03	4	00912.00	1/4-20 Nylon Lock Nut
04	1	00966.10	10-32 X 1/4 Hexhead SS Bolt
05	2	00342.00	Spray Arm Bearing
06	2	00310.01	Spray Arm
07	4	00308.50	Spray Arm End Plug SS
08	1	00305.03	Spray Manifold EAH
		00305.04	Spray Manifold EAH/Tall

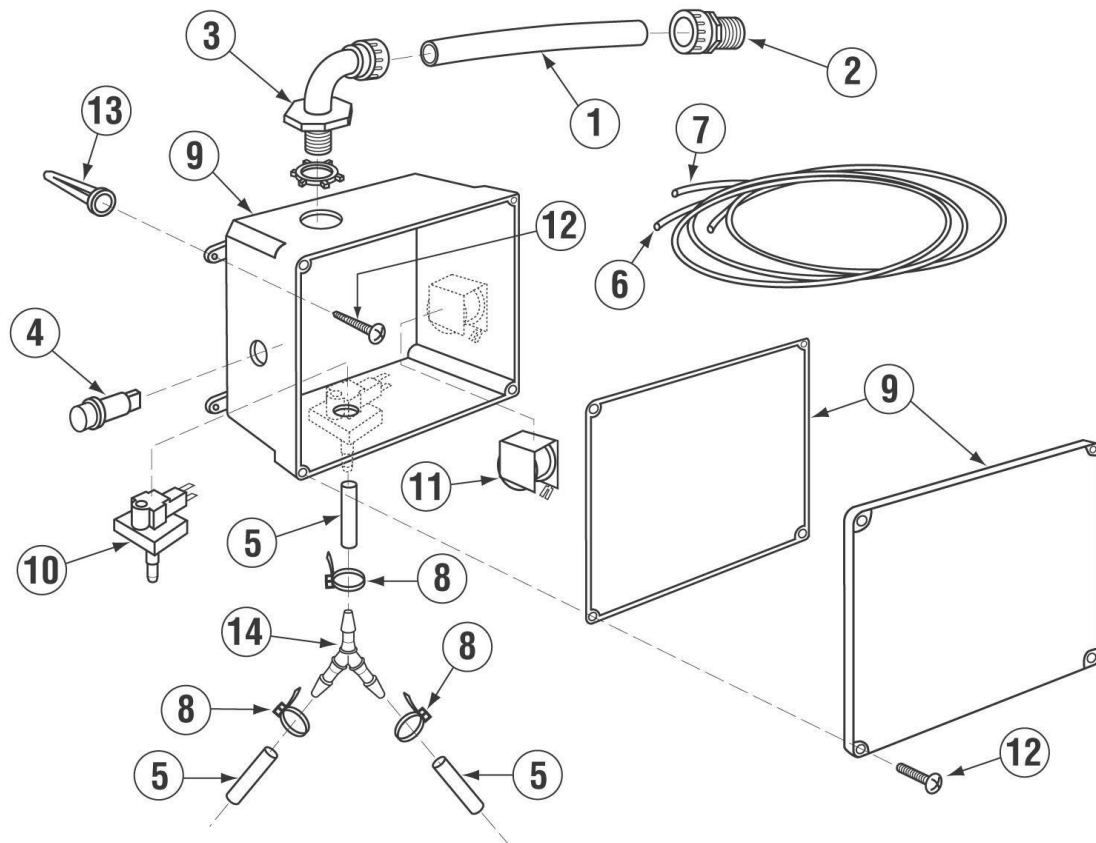
Item	Qty	PartNo	Description
09	1	04306.00	Square Manifold Gasket
10	1	03108.10	Transfer Hose 10" EAH/C
11	2	03101.00	Hose Clamp # 16 1"
12	1	00905.82	1/4-20 X 3/8 Truss Head Bolt
13	1	00357.10	Lower Spray Base EAH
14	4	00363.00	^Spray Base Lock Pin
15	1	50302.06	1" MPT X 1" Barb PVC Sch 80
16	1	00302.84	Spray Base O ring E VA

*Comes with O-Ring P/N 00342.11

	Title	Parts Manual	Rev 1.05A
	Model	EAH / EC Dishwasher	08/10/18


Optional Sani Alarm System Assembly

E-AH/C SANI ALARM ASSY

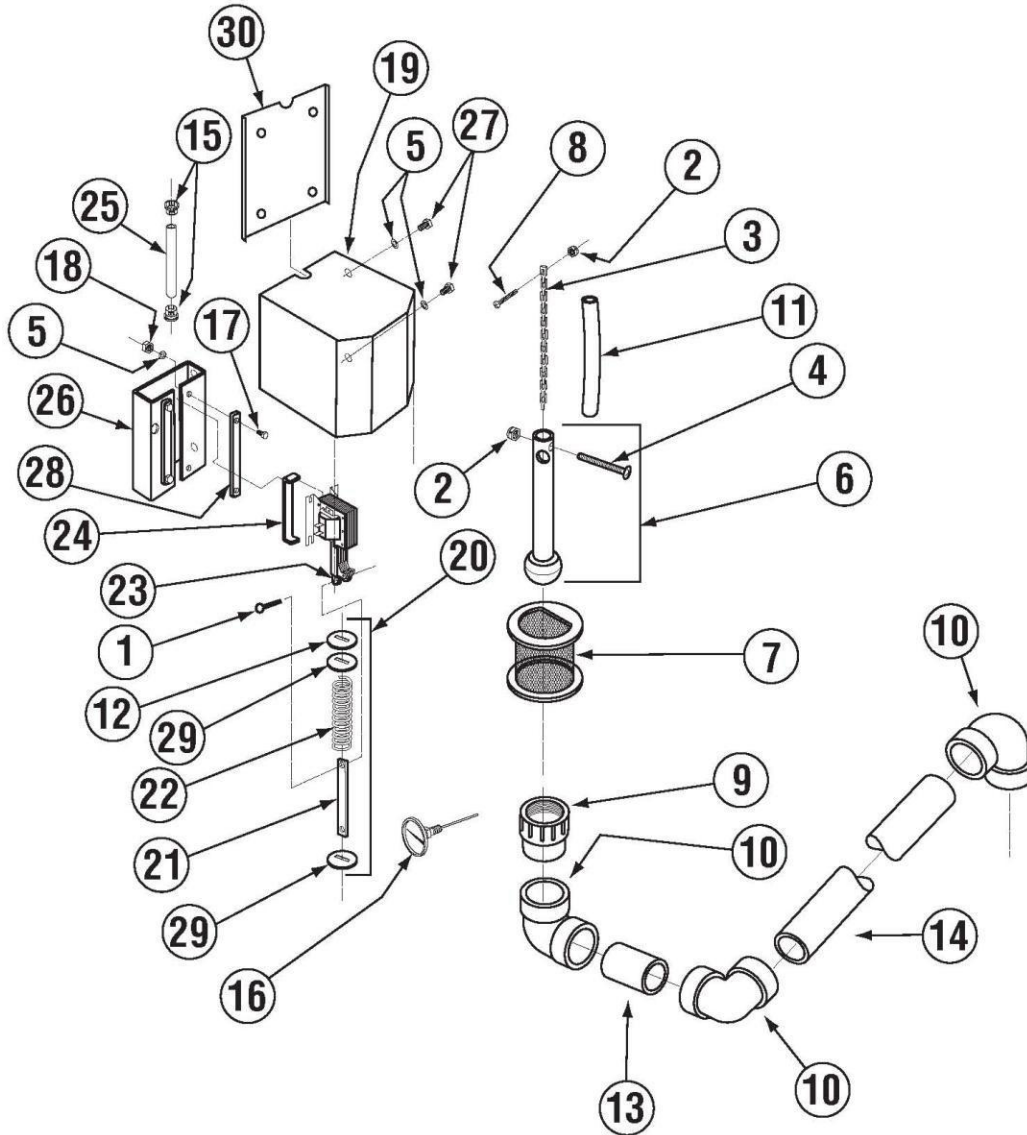


Item	Qty	PartNo	Description
01	3	00400.00	Conduit 3/8 Sealrite
02	1	00401.00	St-3/8 Straight Connector
03	1	00402.00	St-90 Deg 3/8 Connector
04	1	00406.00	Control Box Light .5" Dia Red
05	1	00435.00	Squeeze Tube 8" Silicone
06	1	00521.00	Wire 18 Gauge Orange
07	1	00531.00	Wire 18 Gauge White

Item	Qty	PartNo	Description
08	5	00931.00	Wire Tie Small
09	1	12510.00	Sanitizer Alarm Box
10	1	12511.50	Sanitizer Low Level Vacuum Sw
11	1	12512.00	Sanitizer Alarm Buzzer 120V
12	8	40126.10	#10 X 3/4 Sheet Metal Screw
13	4	40127.00	Wall Anchors
14	1	00426.00	Y Hose Connector 3/16 Single Rib

	Title	Parts Manual	Rev 1.05A
	Model	EAH / EC Dishwasher	08/10/18


Drain System Assembly



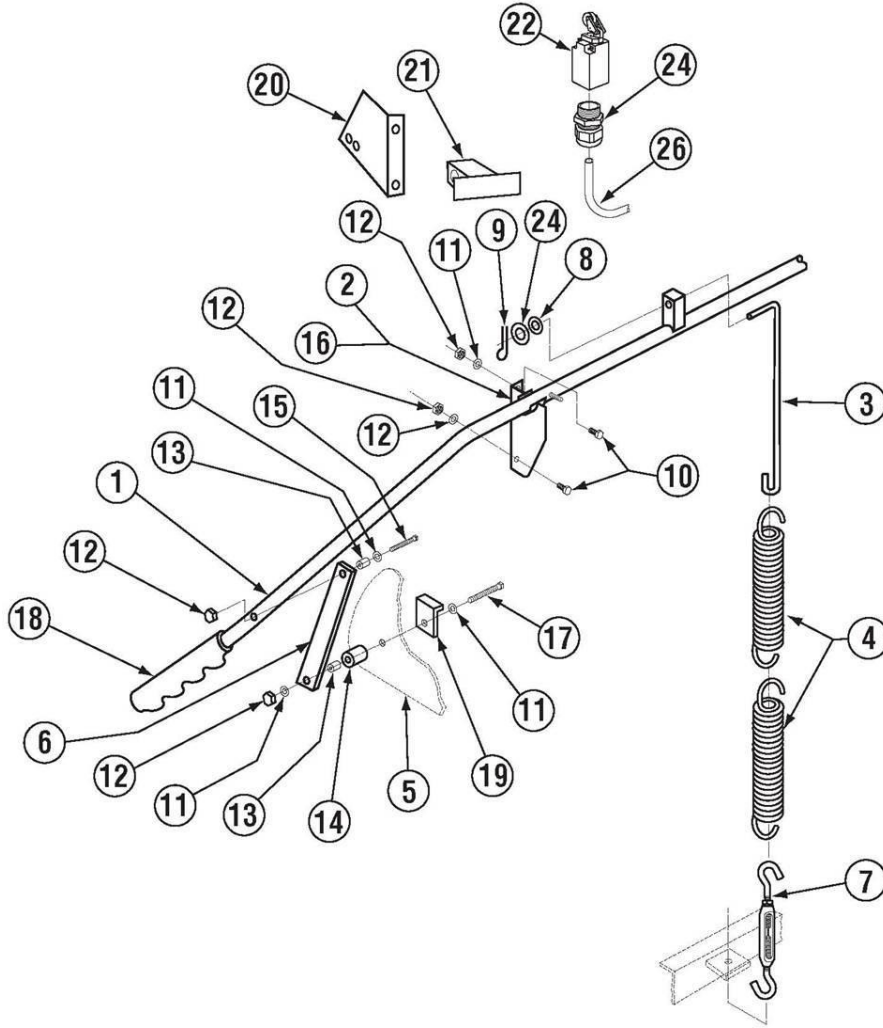
Item	Qty	PartNo	Description
01	1	00900.10	Cotter pin 1/8" X 1"
02	2	00927.00	8-32 Nylon Lock Nut
03	1	00110.07	Drain Ball Chain-12 Link
04	1	00902.00	8-32 X 1 1/4 Panhead Bolt
05	6	00922.00	1/4 Lock Star Washer
06	1	00121.25	Drain Ball Assy (E) *
07	1	00115.06	Drain Sump Screen (A/C)
08	1	03812.00	8-32 X 5/8 Panhead Screw
09	1	01313.20	2" Spg X Fip Adapter
10	3	01312.20	2" Vent ELL Hub X Hub
11	1	41019.11	1/2 ID X 11/16 OD Hose 9"L
12	1	00105.20	Drain Solenoid Linkage Washer
13	1	05030.22	Tubing 2" X 3 3/4"
14	1	05030.24	Tubing 2" X 13 3/4"
15	2	00936.00	312-250 Shorty Bushing

Item	Qty	PartNo	Description
16	1	00120.02	Thermometer (Bi Metal)
17	4	00914.00	1/4-20 X 3/4 Hexhead Bolt
18	4	00915.00	1/4-20 SS Nut
19	1	01507.50	Solenoid Cover TM A/B/C
20	1	00122.00	Drain Solenoid Spring Assy
21	1	01551.00	Solenoid Link
22	1	00105.00	Solenoid Spring
23	1	00100.00	Drain Ball Solenoid 120V
24	1	01550.00	Solenoid Stop
25	1	00464.07	3/8 SS Tubing(TM A/B Sol Wire)
26	1	00102.00	Solenoid Base
27	9	00906.00	1/4-20 X 1/2 Hexhead Bolt
28	2	00103.00	Solenoid Bar
29	2	00106.00	Slot Washer Large-SS
30	1	00122.60	Solenoid Base Back Plate Corners

* Comes with Drain Ball Round For "E" Units Dome P/N 121.20


	Title	Parts Manual	Rev 1.05A
	Model	EAH / EC Dishwasher	08/10/18

Door Actuator Assembly (Straight) (E-E Tall)

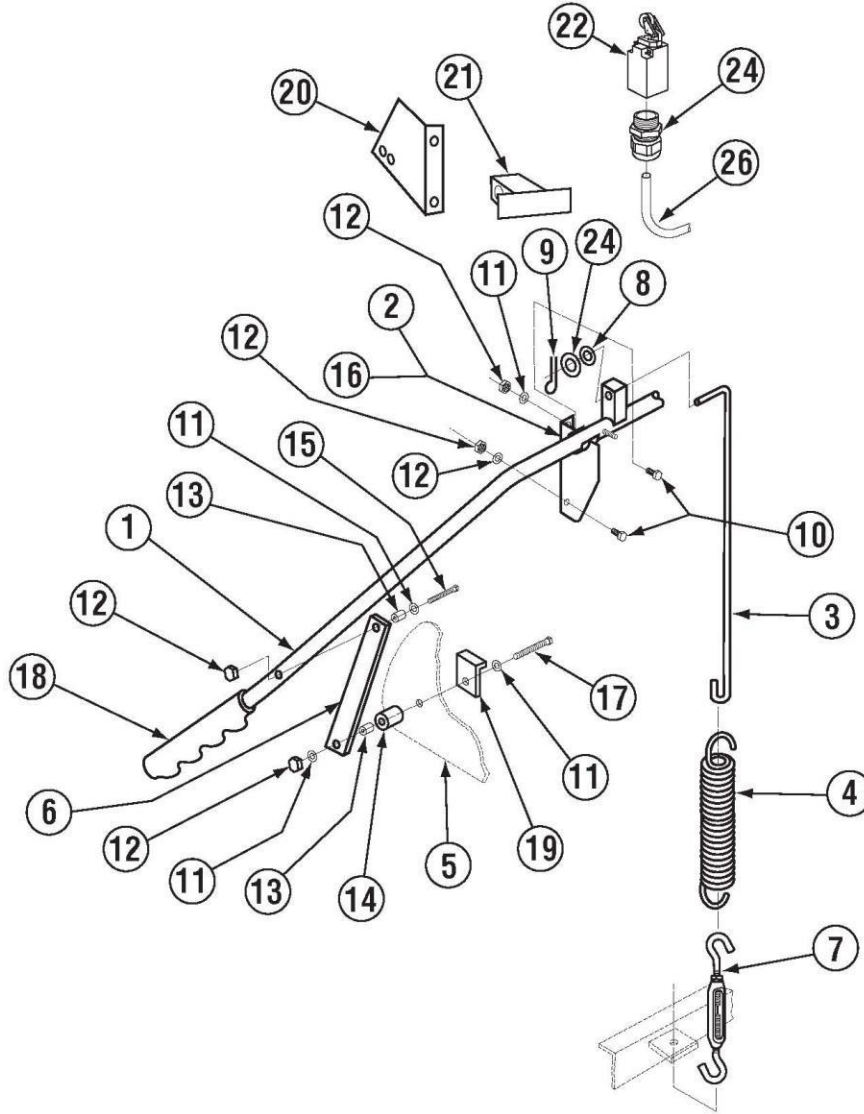


Item	Qty	PartNo	Description
01	1	00613.09	Door Handle EAH
02	1	01556.50	RH Door Handle Support Brckt
03	1	00603.20	Door Spring Extension Rod E
04	1	00602.00	Door Spring
		00602.20	Door Spring –Heavy Duty
05	2	01506.30	Door A B C M CMA-44
06	2	01553.00	Door Handle Link
07	1	00606.50	Turn Buckle
08	1	00926.00	5/16 SS Washer
09	2	00900.00	Cotter Pin
10	4	00906.00	1/4-20 X 1/2 Hexhead Bolt
11	6	00924.00	1/4 SS Washer
12	8	00912.00	1/4-20 Nylon Lock Nut

Item	Qty	PartNo	Description
13	4	00610.00	Door Handle Spacer Small
14	4	00611.00	Door Handle Spacer (Lg)
15	2	00910.00	1/4-20 X1 1/2 SS Hexhead Bolt
16	1	01555.50	LH Door Handle Support Brckt
17	2	00903.00	1/4-20 X 1 3/4 SS Hexhead Bolt
18	2	00607.04	Door Handle Cap 1"
19	2	01552.00	Door Stop
20	1	00563.40	Door Switch Bracket (8-08)
21	1	00563.42	Door Switch Actuator (8-08)
22	1	00562.00	Roller Door Switch
23	1	00562.60	Connector Door Roller Switch
24	1	00605.30	Door Rod Spacer
25	1	00546.00	18 AWG Switch Cord


	Title	Parts Manual	Rev 1.05A
	Model	EAH / EC Dishwasher	08/10/18

Door Actuator Assembly (Straight) (3-Door)

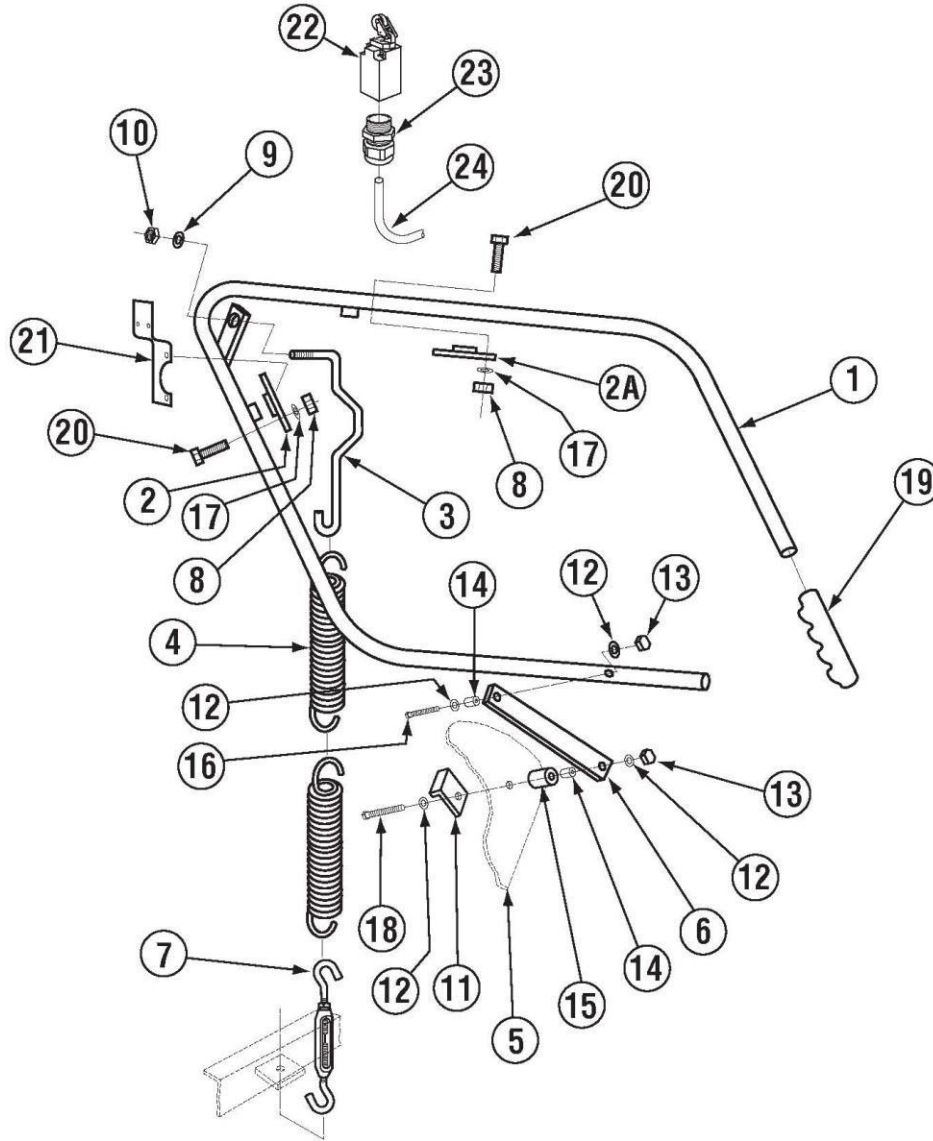


Item	Qty	PartNo	Description
01	1	00613.09	Door Handle EAH
02	1	01556.50	RH Door Handle Support Brckt
03	1	00603.07	Door Spring Extension Rod AB
04	1	00602.00	Door Spring
		00602.20	Door Spring -Heavy Duty
05	2	01506.30	Door ABCM CMA-44
06	2	01553.00	Door Handle Link
07	1	00606.50	Turn Buckle
08	1	00926.00	5/16 SS Washer
09	2	00900.00	Cotter Pin
10	4	00906.00	1/4-20 X 1/2 Hexhead Bolt
11	6	00924.00	1/4 SS Washer
12	8	00912.00	1/4-20 Nylon Lock Nut

Item	Qty	PartNo	Description
13	4	00610.00	Door Handle Spacer Small
14	4	00611.00	Door Handle Spacer (Lg)
15	2	00910.00	1/4-20 X 1 1/2 SS Hexhead Bolt
16	1	01555.50	LH Door Handle Support Brckt
17	2	00903.00	1/4-20 X 1 3/4 SS Hexhead Bolt
18	2	00607.04	Door Handle Cap 1"
19	2	01552.00	Door Stop
20	1	00563.40	Door Switch Bracket (8-08)
21	1	00563.42	Door Switch Actuator (8-08)
22	1	00562.00	Roller Door Switch
23	1	00562.60	Connector Door Roller Switch
24	1	00605.30	Door Rod Spacer
25	1	00546.00	18 AWG Switch Cord


	Title	Parts Manual	Rev 1.05A
	Model	EAH / EC Dishwasher	08/10/18

Door Actuator Assembly (Corner) (E/E Tall)

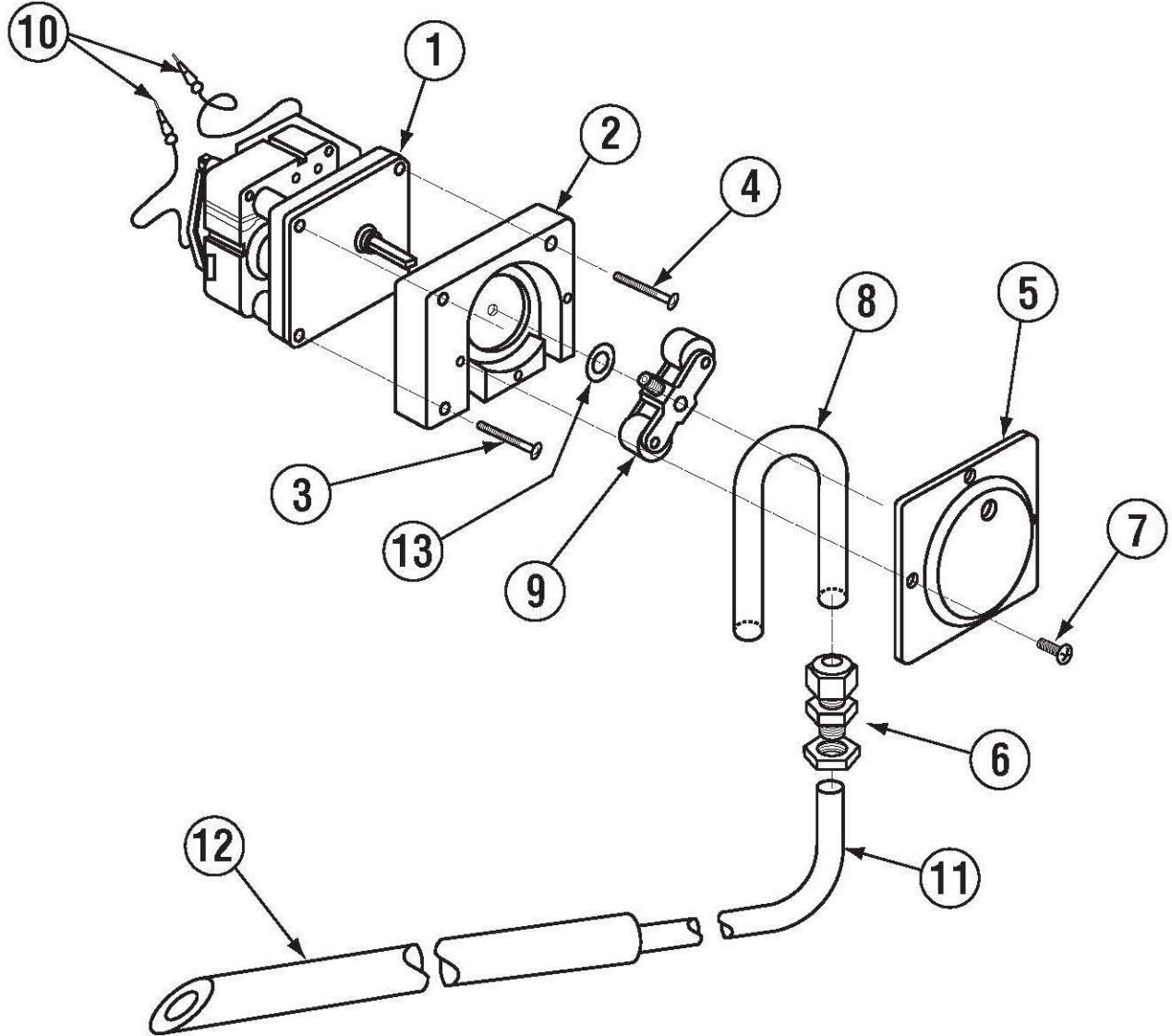


Item	Qty	PartNo	Description
01	1	00613.04	Door Handle (C)
02	1	00619.34	Door Handle Mtg Plate-Long
2A	1	00619.44	Door Handle Mtg Plate Short
03	1	00603.04	Door Spring Extension Rod (C)
04	1	00602.00	Door Spring
		00602.20	Door Spring -Heavy Duty
05	2	01506.30	Door (Cut Away)
06	2	01553.00	Door Handle Link
07	1	00606.50	Turn Buckle
08	9	00913.00	5/16-18 SS Nut
09	9	00926.00	5/16 SS Washer
10	1	00900.00	Cotter Pin
11	2	01552.00	Door Stop

Item	Qty	PartNo	Description
12	6	00924.00	1/4 SS Washer
13	4	00912.00	1/4-20 Nylon Lock Nut
14	4	00610.00	Door Handle Spacer Small
15	4	00611.00	Door Handle Spacer (Lg)
16	2	00903.00	1/4-20 X 1 3/4 SS Hexhead Bolt
17	8	00926.00	5/16 SS Washer
18	2	00910.00	1/4-20 X 1 1/2 SS Hexhead Bolt
19	2	00607.04	Door Handle Cap 1"
20	8	00920.00	5/16-18 X 3/4 SS Hexhead Bolt
21	1	00563.30	Roller Switch Bracket (C)
22	1	00562.00	Roller Door Switch
23	1	00562.60	Connector Door Roller Switch
24	1	00546.00	18 AWG Switch Cord


	Title	Parts Manual	Rev 1.05A
	Model	EAH / EC Dishwasher	08/10/18

Peristaltic Pump Assembly



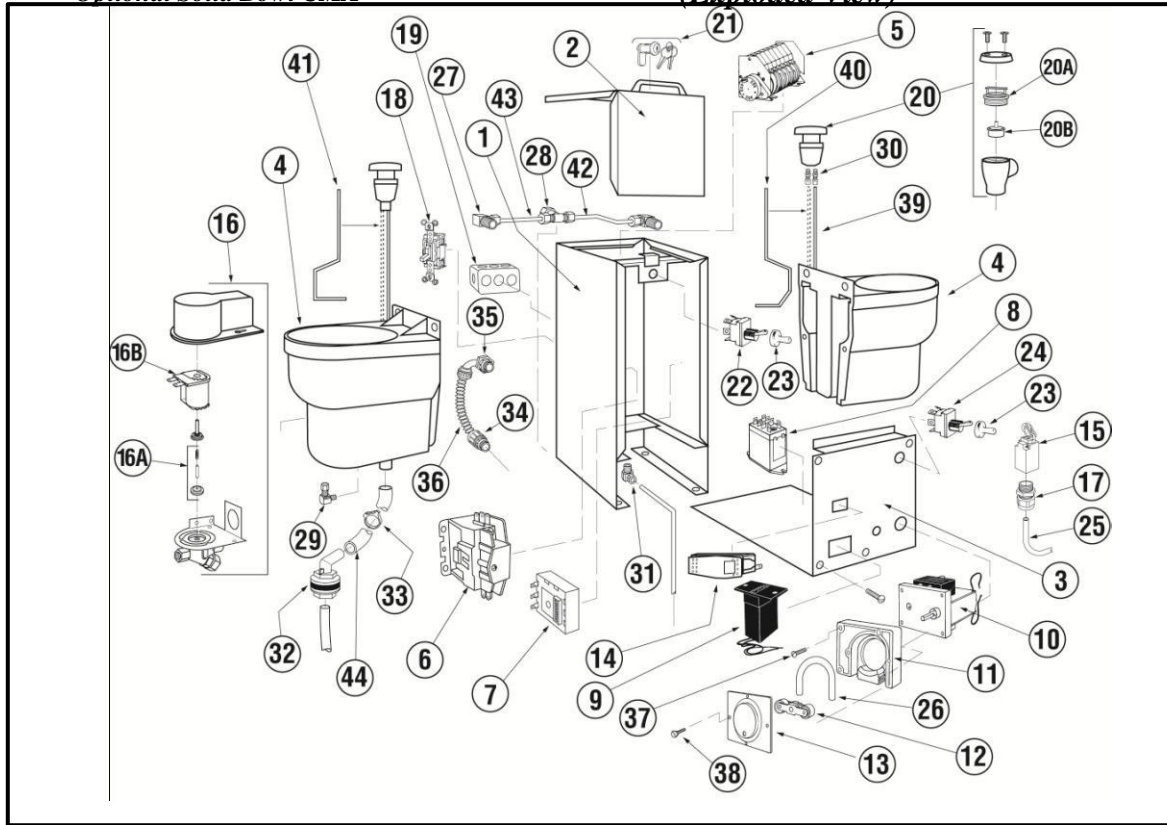
Item	Qty	PartNo	Description
01	1	00416.00	Peristaltic Pump Motor 120v/60hz
02	1	00417.10	Peristaltic Pump Block
03	2	00919.00	10-32 X 1 1/2 Panhead Bolt
04	1	00918.00	10-32 X 1 1/2 Filister Bolt
05	1	00418.00	Peristaltic Pump Cover
06	1	03415.40	Liquid Tight Fitting 1/4"
07	4	00911.00	8-32 X 1/2 Panhead Screw

Item	Qty	PartNo	Description
08	1	02257.00	Squeeze Tube Norprene 8"
09	1	00419.00	Peristaltic Pump Rotor Assy
10	2	00448.00	Male Barrel connector 14-16 gauge
11	1	00425.51	Chemical Tubing Blue
	1	00425.53	Chemical Tubing Red
	1	00425.54	Chemical Tubing White
12	3	00443.00	Tube Stiffener
13	1	00422.50	Rotor Spacer

	Title	Parts Manual	Rev 1.05A
	Model	EAH / EC Dishwasher	08/10/18


Optional Solid Bowl CMA

(Exploded View)

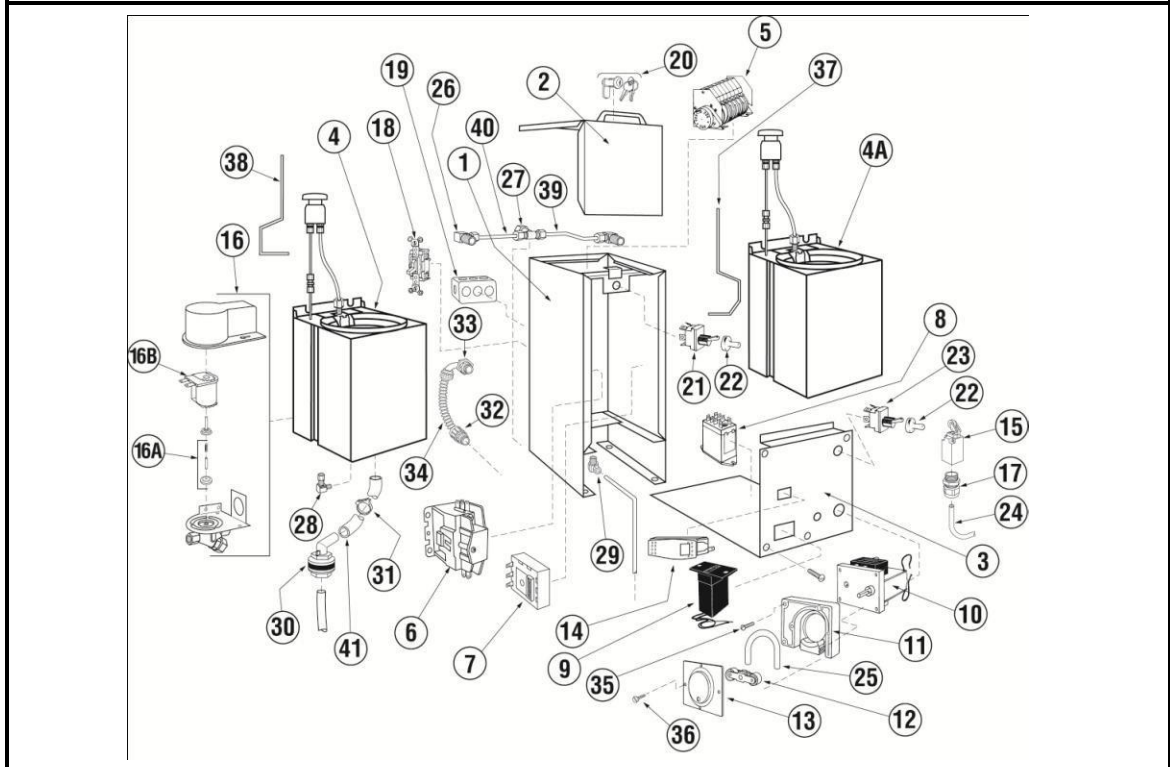


ITEM NO.	NO. REQ'D	P/N	DESCRIPTION
1	1	01503.20	Solid Bowl Control Box
2	1	01504.20	Solid Bowl Control Box Lid
3	1	01503.25	Solid Bowl Slideout Tray
4	2	00461.00	Solid Bowl Dm #6000
5	1	00407.80	Timer, 90-sec. 8-cam
6	1*	00404.82	Motor Contactor, 120V
7	1	00630.50	Solid Detergent/Rinse Timer Relay
8	1	00631.00	Ice Cube Relay
9	1	03408.50	Counter (Panel Mount, Small)
10	1	00416.00	Peri-Pump Motor
11	1	00417.10	Peri-Pump Block
12	1	00419.00	Peri-Pump Rotor
13	1	00418.00	Peri-Pump Cover
14	1	00421.40	Start/Fill Switch with Amber Light
15	1	00562.00	Roller Door Switch
16	2	41015.00	Water Solenoid Valve, 1/4", 120V
16A	2	41015.40	1/4" Water Solenoid Valve Repair Kit
16B	2	41015.60	1/4" Water Solenoid Valve Coil
17	1	00562.60	Connector for Roller Switch
18	1	00433.10	Master Switch, 20 Amp
19	1	03420.00	Electrical Bell Box
20	2	40110.50	Solid Bowl, 1/4" Vacuum Breaker
20A	2	40110.25	Vacuum Breaker Bonnet
20B	2	40110.10	Vacuum Breaker Repair Kit


ITEM NO.	NO. REQ'D	P/N	DESCRIPTION
21	1	00449.00	Lock and Key
22	1	00475.00	Delimiter Switch
23	2	00470.10	Toggle Switch Rubber Boot
24	1	03470.00	Primer Switch
25	1	00546.00	18 AWG Switch Cord, 3 Feet
26	1	02257.00	Squeeze Tube
27	4	40112.00	1/4" Comp x 1/4" MIP Elbow
28	1	40116.10	1/4" TB x TB x TB Comp Tee
29	2	40118.00	1/4" Comp 1/8" MIP 90 Deg Elbow
30	4	40116.00	1/4" x 1/4" MIP Fitting
31	1	00436.00	3/8" 90 Deg Comp x MIP
32	2	40114.00	77 Deg Elbow, Bulkhead
33	2	40111.00	7/8" to 1" Snap Hose Clamp
34	4	00401.50	3/8" Black Nylon Straight Connector
35	2	00402.00	St. 90 Deg 3/8" Connector
36	1	00400.50	3/8" Black Flex Tubing, 2 Feet
37	2	00919.00	10-32 x 1-1/2" Panhead Bolt
38	4	00911.00	8-32 x 1/2" Panhead Screw
39	2	40110.30	1/4" Water Line, Vac. Breaker To Bowl
40	1	40110.35	1/4" Water Line, Wtr Sol. To Vac. Brk (R)
41	1	40110.40	1/4" Water Line, Wtr Sol. To Vac. Brk (L)
42	1	41016.00	1/4" Water Line, Tee to Water Sol. (R)
43	1	41016.10	1/4" Water Line, Tee to Water Sol. (L)
44	1	04603.00	5/8 ID x 7/8 OD CV Tubing

	Title	Parts Manual	Rev 1.05A
	Model	EAH / EC Dishwasher	08/10/18

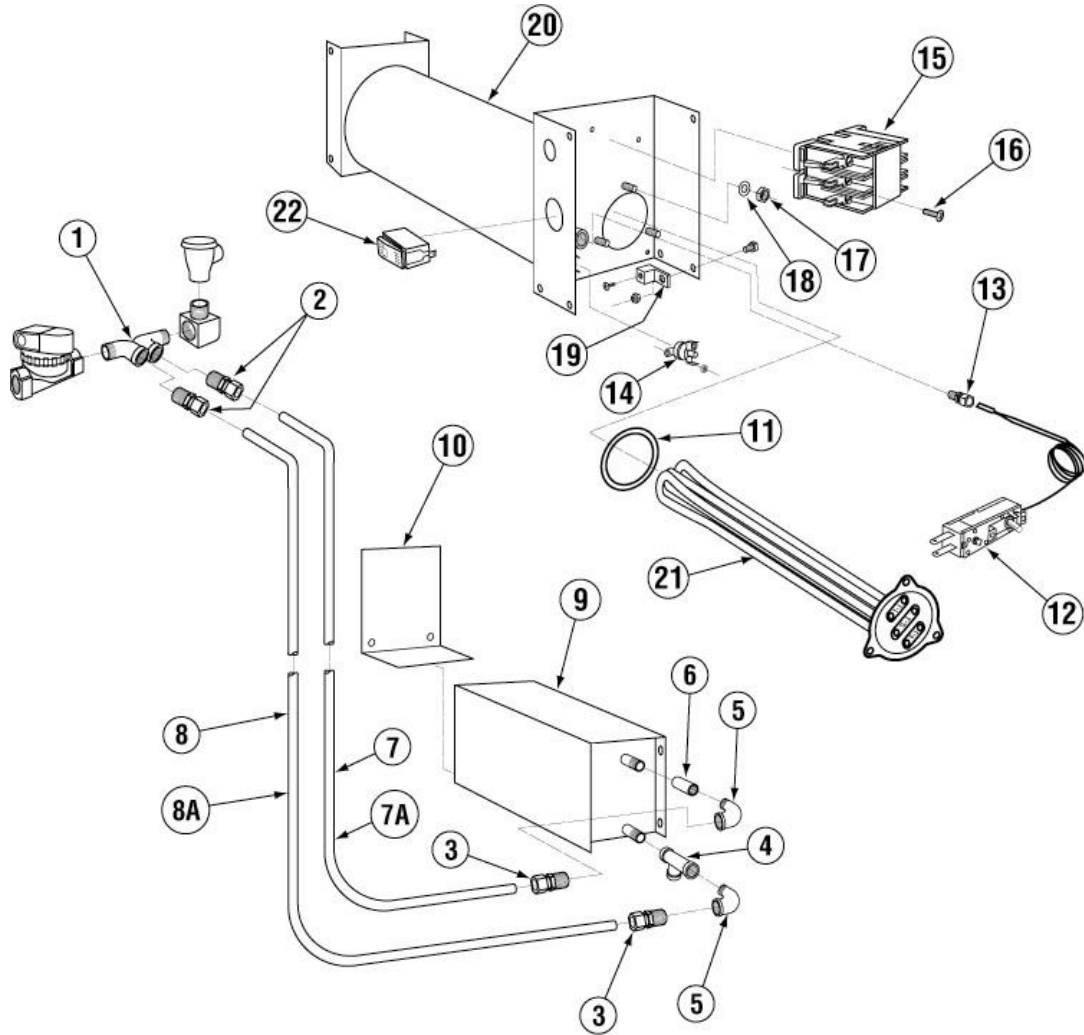
Optional Solid Bowl Sunburst Chemicals (AH and C)



ITEM NO.	NO. REQ'D	P/N	DESCRIPTION	ITEM NO.	NO. REQ'D	P/N	DESCRIPTION
1	1	01503.20	Solid Bowl Control Box	20	1	00449.00	Lock and Key
2	1	01504.20	Solid Bowl Control Box Lid	21	1	00475.00	Delimer Switch
3	1	01503.25	Solid Bowl Slideout Tray	22	2	00470.10	Toggle Switch Rubber Boot
4	1	18639.00	Detergent Bowl Kit	23	1	03470.00	Primer Switch
4A	1	18639.50	Rinse Bowl Kit	24	1	00546.00	18 AWG Switch Cord, 3 Feet
5	1	00407.80	Timer, 90-sec. 8-cam	25	1	02257.00	Squeeze Tube
6	1*	00404.82	Motor Contactor, 120V	26	4	40112.00	1/4" Comp x 1/4" MIP Elbow
7	1	00630.50	Solid Detergent/Rinse Timer Relay	27	1	40116.10	1/4" TB x TB x TB Comp Tee
8	1	00631.00	Ice Cube Relay	28	2	40118.00	1/4" Comp 1/8" MIP 90 Deg Elbow
9	1	03408.50	Counter (Panel Mount, Small)	29	1	00436.00	3/8" 90 Deg Comp x MIP
10	1	00416.00	Peri-Pump Motor	30	2	40114.00	77 Deg Elbow, Bulkhead
11	1	00417.10	Peri-Pump Block	31	2	40111.00	7/8" to 1" Snap Hose Clamp
12	1	00419.00	Peri-Pump Rotor	32	4	00401.50	3/8" Black Nylon Straight Connector
13	1	00418.00	Peri-Pump Cover	33	2	00402.00	St. 90 Deg 3/8" Connector
14	1	00421.40	Start/Fill Switch with Amber Light	34	1	00400.50	3/8" Black Flex Tubing, 2 Feet
15	1	00562.00	Roller Door Switch	35	2	00919.00	10-32 x 1-1/2" Panhead Bolt
16	2	41015.00	Water Solenoid Valve, 1/4", 120V	36	4	00911.00	8-32 x 1/2" Panhead Screw
16A	2	41015.40	1/4" Water Solenoid Valve Repair Kit	37	1	40110.35	1/4" Water Line, Wtr Sol. To Vac. Brk (R)
16B	2	41015.60	1/4" Water Solenoid Valve Coil	38	1	40110.40	1/4" Water Line, Wtr Sol. To Vac. Brk (L)
17	1	00562.60	Connector for Roller Switch	39	1	41016.00	1/4" Water Line, Tee to Water Sol. (R)
18	1	00433.10	Master Switch, 20 Amp	40	1	41016.10	1/4" Water Line, Tee to Water Sol. (L)
19	1	03420.00	Electrical Bell Box	41	1	04603.00	5/8 ID x 7/8 OD CV Tubing

	Title	Parts Manual	Rev 1.05A
	Model	EAH / EC Dishwasher	08/10/18

Temp – Sure Heater



ITEM NO.	NO. REQ'D	P/N	DESCRIPTION
1	1	13633.20	Booster Heater 3/4" in/out Adapter
2	2	00761.00	5/8" Comp. x 3/4" MIP Adapter
3	2	00760.00	5/8" Comp. x 1/2" MIP Adapter
4	1	00743.10	1/2" Tee FxFxF Brass
5	1	13620.00	1/2" S.S. Street Elbow
6	1	13618.00	1/2" S.S. Coupling
7	1	N/A	Tempsure Discharge Line for AH
7A	1	N/A	Tempsure Discharge Line for C
8	1	N/A	Tempsure Intake Line for AH
8A	1	N/A	Tempsure Intake Line for C
9	1	01594.20	3 Sided Heater Tank Shield
10	1	01594.10	Booster Heater Tank Access Cover

ITEM NO.	NO. REQ'D	P/N	DESCRIPTION
11	1	15518.11	Gasket for Triangular Flange Heater
12	1	13417.92	Thermostat for 12 KW Heater (EGO)
13	1	40116.00	1/4 Comp x 1/4 MIP Fitting
14	1	17523.51	Hi-Limit Switch 250 Deg.
15	1	13003.17	Contactor 60 Amp 3 Pole
16	2	00941.00	10-32x5/8" Panhead Screw
17	11	00912.00	1/4-20 Nylon Lock Nut
18	3	00924.00	1/4" S.S. Washer
19	1	13426.50	Ground Block
20	1	01595.40	Heater Tank for Tempsure
21	1	13422.71	240V 12KW Triangular Immersion Htr
22	1	00421.83	CMA-44 Rocker Switch White