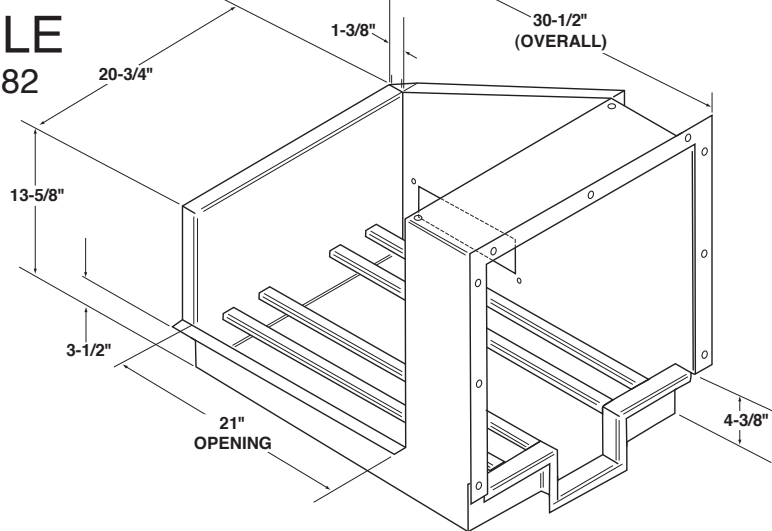


**FEATURES:**

- Auto start system
- Adapts to EST-44 and EST-66 dishwashers
- All stainless steel construction
- Factory installed

**CORNER FEED TABLE**  
STANDARD LEFT P/N 13958.82



**CORNER FEED TABLE**  
STANDARD RIGHT P/N 13958.84

