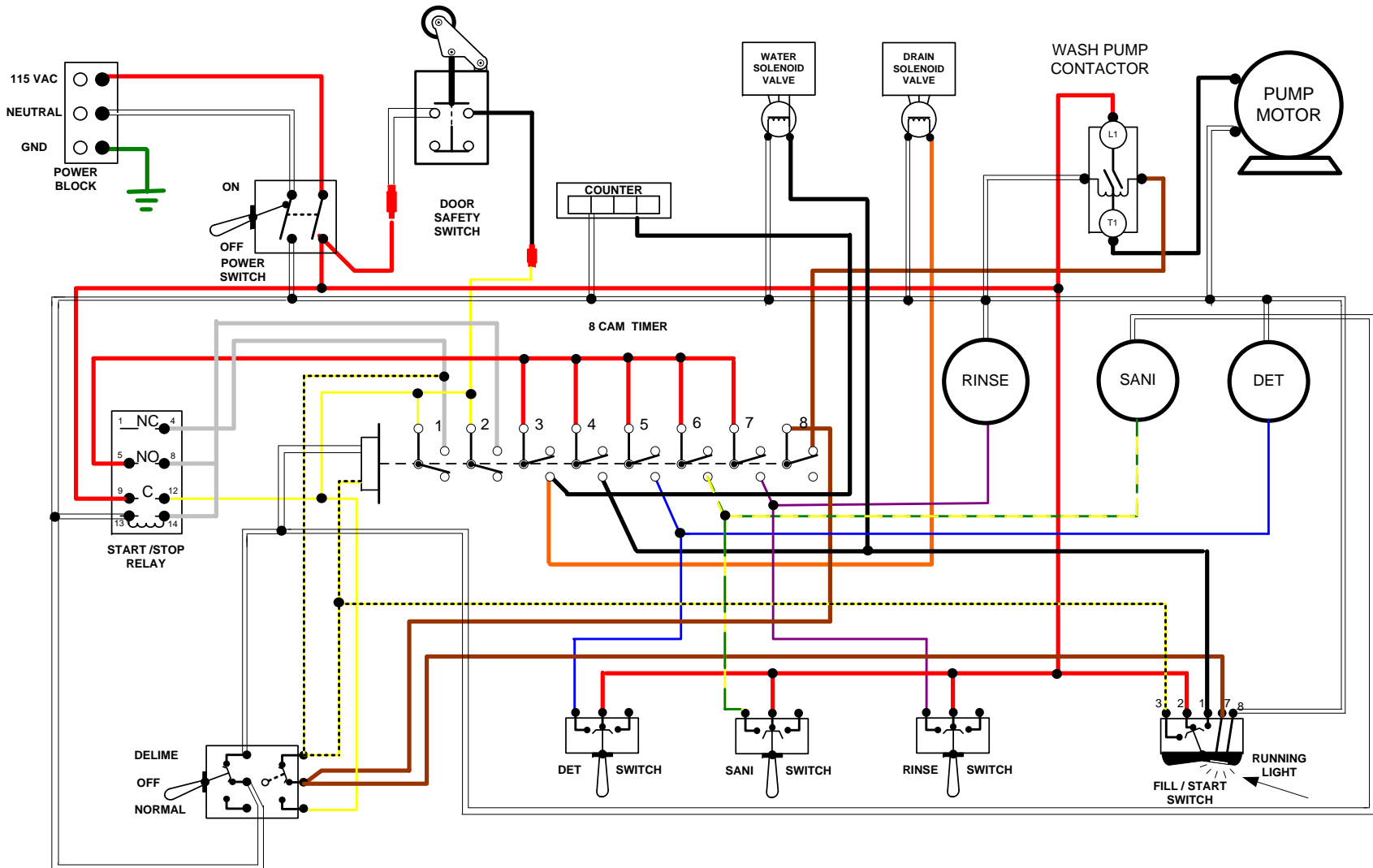




REV. 1.00
1/1/14/02



WIRE DIAGRAM FOR MODELS : AH, C, S