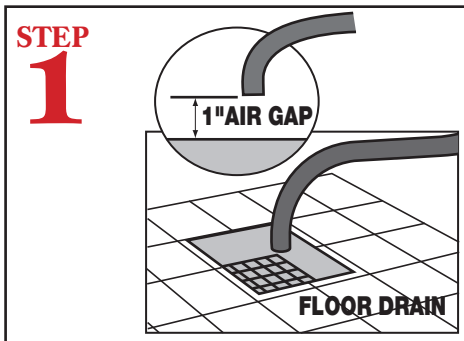
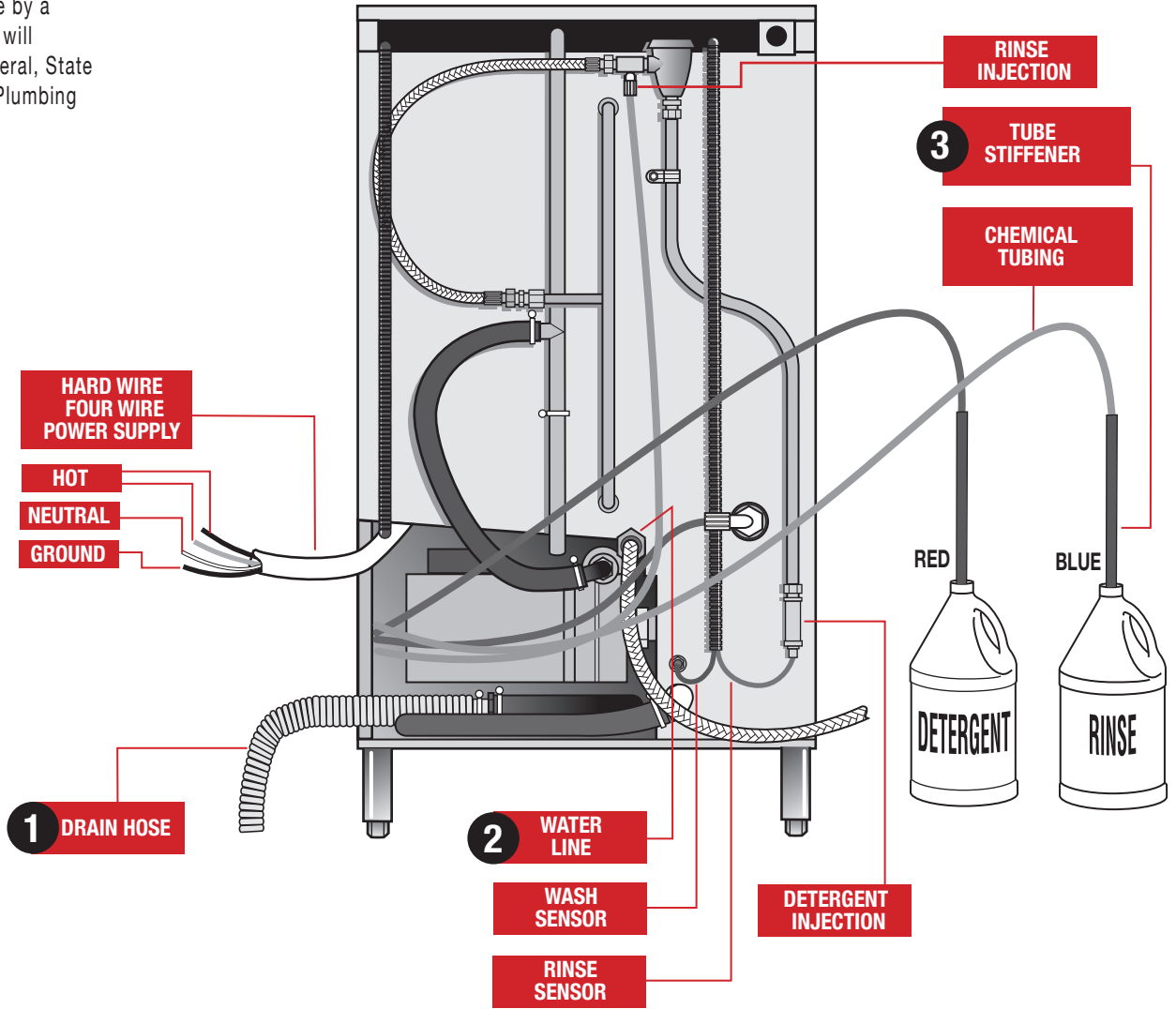


# 181GW

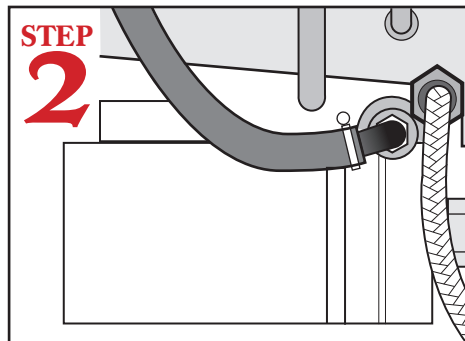
## Quick Setup Instructions



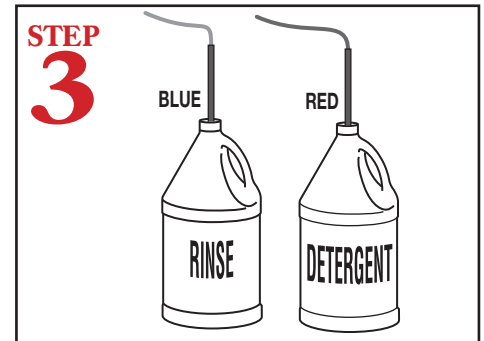
**WARNING:** Electrical and plumbing connections need to be made by a qualified service person who will comply with all available Federal, State and Local Health, Electrical, Plumbing and Safety codes.



Connect the drain hose to floor drain. The floor drain must have a 1 inch air gap between drain hose and floor drain.



Connect dishmachine to hot water source 120°F - 140°F. Minimum temperature will remain in wash cycle until booster heater temperature reaches 180°F, then it will advance into rinse cycle.

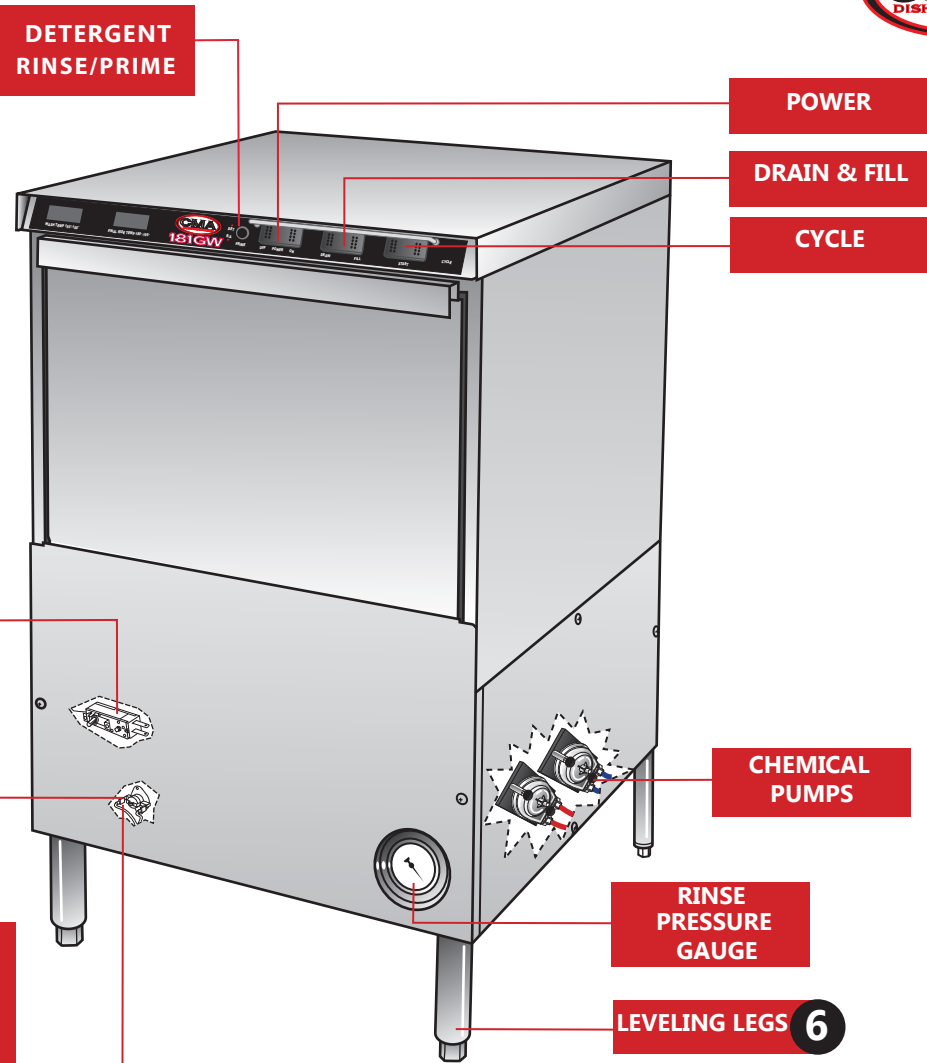


Insert tube stiffener with chemical tubing into corresponding chemical dispensers.

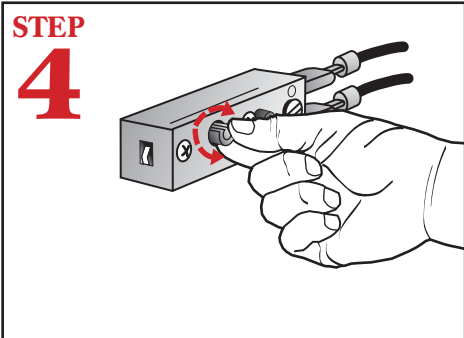
# 181GW

## Quick Setup Instructions

**WARNING:** Electrical and plumbing connections need to be made by a qualified service person who will comply with all available Federal, State and Local Health, Electrical, Plumbing and Safety codes.



**5** **NOTE:** To prevent Heating Element damage, the 181GW heater must be filled with water before the heating element is energized. For this reason the High Limit Switch has intentionally been disconnected at the factory and will require re-connection.



If necessary adjust the temperature by turning the adjustment stem clockwise to increase.



After filling dishwasher for the first time, (**CAUTION: turn power supply off**) reconnect the factory unplugged wire to booster high-limit switch located behind front panel.



Level dishwasher by adjusting leveling legs. Dishmachine must be level front and back.