



# HIGH TEMPERATURE UNDERCOUNTER DISHWASHER / GLASSWASHER

## 181-GW



### FEATURES

- 16 gauge 304 Stainless Steel wash tank.
- 30 racks per hour or 600 glasses per hour (20 per 19-3/4"X19-3/4" rack).
- Large 11-1/4" height clearance accommodates larger glassware.
- Top mounted controls are easy to read and simple to operate.
- .75 gallons of water per cycle or rack.
- Safe-T-Temp booster heater capable of a 70°F rise. (3 minute cycle)
- 180°F final rinse
- Detergent and rinse chemical pumps.
- Fresh water rinse through upper and lower rotating arms.
- Removable Stainless Steel pump protection screen for easy cleaning.
- Raised wash chamber reduces "bending over" to remove racks
- Gravity drain system.
- Great application for the WINE industry.
- Built in Delime switch.
- Dishmachine comes with one 16 compartment rack.

### CMA MODEL: 181-GW



Stainless Steel Pedestal



4" Stainless Steel Legs



Roller Casters

### AVAILABLE OPTIONS

- Pump Drain Kit
- 48" Undercounter Dishtable
- Drain Board

Note: Some US States may require Energy Star ratings for Commercial Dishwashers. The specifier or installer is responsible for knowing their local codes, standards, and regulatory requirements. This product was certified and met the requirements of previous Energy Star Version 2.0 for commercial dishwashers as required by some states.

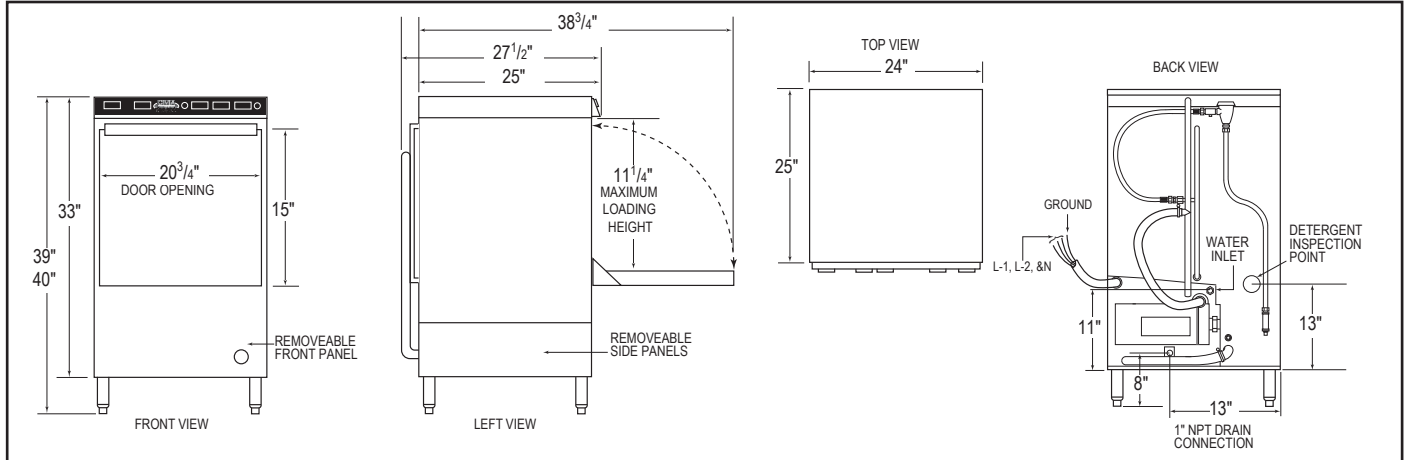




**181GW**  
High Temperature Undercounter  
Dishwasher / Glasswasher

**WARNINGS:**

- Electrical and Plumbing connections must be made by a qualified service company who will comply with all available Federal, State, and Local Health, Electrical, Plumbing and Safety codes.
- CMA recommends utilizing a water softening system to maintain water hardness measurements of 3.5 gpg (grains per gallon) or less. This will assure maximum results and optimum operation of the dishwasher.



Specifications:			Specifications:		
CMA-181GW	USA	(Metric)	CMA-181GW	USA	(Metric)
<b>WATER CONSUMPTION</b>			<b>FRAME DIMENSIONS</b>		
PER RACK	.75 GAL.	(2.84 L)	DEPTH	25"	(63.5 CM)
PER HOUR	22.5 GAL.	(85.2 L)	WIDTH	24"	(60.96 CM)
<b>OPERATING CYCLE</b>			HEIGHT	39"-40"	(99-101.6 CM)
WASH TIME-SEC	94	94	MAX CLEARANCE FOR DISHES	11-1/4"	(28.6 CM)
RINSE TIME-SEC	16	16	<b>WASH PUMP MOTOR</b> 1 HP 1 HP		
DWELL TIME-SEC	10	10	<b>ELECTRICAL RATING</b>		
TOTAL CYCLE TIME	2 MIN.	2 MIN.	TOTAL AMPS	33.0 AMPS	36.0 AMPS
<b>OPERATING CAPACITY</b>			BOOSTER HEATER KW	5.3 KW	7.1 KW
RACKS PER HOUR	30	30	THIS SYSTEM REQUIRES THREE POWER WIRES WHICH INCLUDES A CURRENT CARRYING NEUTRAL. AN ADDITIONAL FOURTH WIRE MUST BE PROVIDED FOR MACHINE GROUND. NO GFI BREAKER.		
<b>WASH TANK CAPACITY</b>					
<b>PUMP CAPACITY</b>					
<b>WATER REQUIREMENTS</b>			<b>APPROXIMATE SHIPPING WEIGHT</b> 207# (93.8 KG)		
REQUIRED MINIMUM TEMP	110°F	(43°C)	<b>SHIPPING DIMENSIONS</b> PALLET & BOX @ 29" X 28" X 41"		
RECOMMENDED TEMP	140°F	(60°C)	*For machine having "Safe-T-Temp" **For faster heat recovery		
WATER INLET	1/2"	(1.27 CM)			
DRAIN CONNECTION	1"	(2.54 CM)			
RINSE PRESSURE SET	20 ± 5PSI	1.41 KG/CM²			
<b>CYCLE TEMPERATURES</b>					
WASH-°F	155° F-160° F	(68.3°C/71°C)			
RINSE-°F	180° F-195° F	(82°C/90°C)			

**Summary Specifications: CMA 181GW**

The CMA 181GW undercounter dishwasher provides hot water (180°F) sanitizing through the use of a built-in booster heater. 180°F final rinse safety system ensures proper temperatures in the final rinse by holding wash cycle in run mode until 180°F rinse temperature is detected. The unit comes standard with upper and lower stainless steel wash and final rinse arms, digital LED temperature gauges and easy to operate controls. The CMA 181GW is constructed entirely of stainless steel. Uses standard 19-3/4"X19-3/4" glassracks with a 11-1/4" door clearance.

**Advisory:** CMA does NOT endorse "Tankless On-Demand" water heaters for use on CMA Dishmachine products. CMA DOES endorse, and highly recommends, the standard "tank" style water heaters, sized properly to handle each particular facility with their water heating requirements.



CMA Dishmachines 17707 Valley View Ave; Cerritos, CA 90703 • 800-854-6417 • 714-898-8781 • Fax: 714-895-2141 • www.cmadishmachines.com

CMA reserves the right to modify specifications or discontinue models without prior notification.

© 09-2024 CMA, Inc.

