

TO CUSTOMERS DISCONNECT SWITCH
 PER LOCAL ELECTRICAL CODE
 115-208/230V/1PH 60HZ

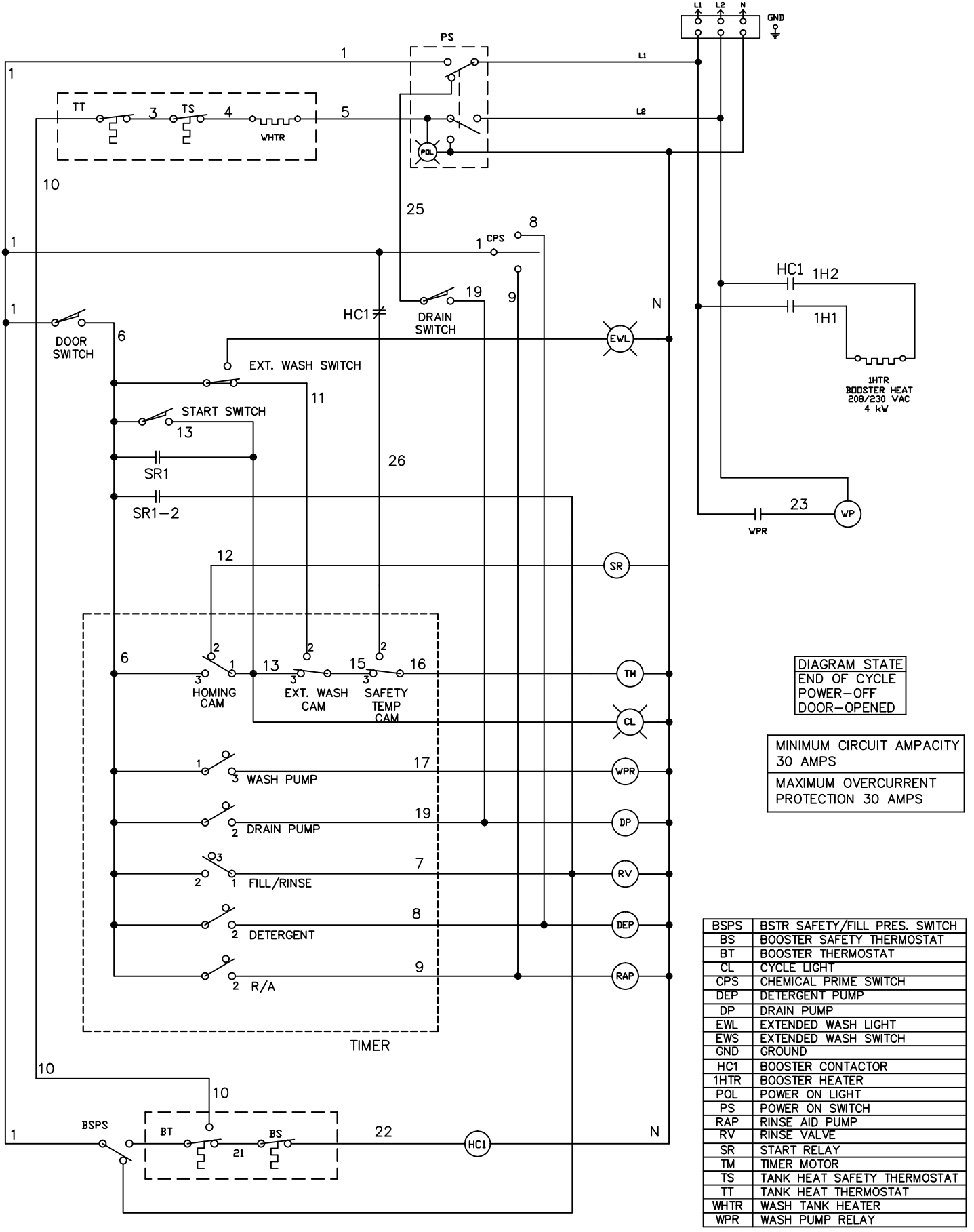


DIAGRAM STATE
 END OF CYCLE
 POWER-OFF
 DOOR-OPENED

MINIMUM CIRCUIT AMPACITY
 30 AMPS
 MAXIMUM OVERCURRENT
 PROTECTION 30 AMPS

BSPS	BSTR SAFETY/FILL PRES. SWITCH
BS	BOOSTER SAFETY THERMOSTAT
BT	BOOSTER THERMOSTAT
CL	CYCLE LIGHT
CPS	CHEMICAL PRIME SWITCH
DEP	DETERGENT PUMP
DP	DRAIN PUMP
EWL	EXTENDED WASH LIGHT
EWS	EXTENDED WASH SWITCH
GND	GROUND
HC1	BOOSTER CONTACTOR
1HTR	BOOSTER HEATER
POL	POWER ON LIGHT
PS	POWER ON SWITCH
RAP	RINSE AID PUMP
RV	RINSE VALVE
SR	START RELAY
TM	TIMER MOTOR
TS	TANK HEAT SAFETY THERMOSTAT
TT	TANK HEAT THERMOSTAT
WHTR	WASH TANK HEATER
WPR	WASH PUMP RELAY

HIGH TEMP UNDERCOUNTER

DATE	NUMBER/REV
11-JULY-16	UC65e M2/0513902/A