



GW-100 / GL-C
120V / 208/230V

Chemical Sanitizing
Undercounter Glasswasher

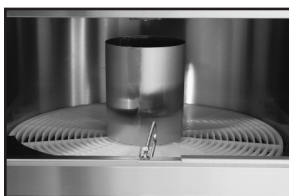


FEATURES:

- Cleans and sanitizes up to 1000 2-1/2" glasses per hour.
- Hands-free glass activated on/off stop is safe and convenient.
- Independent upper and lower wash and rinse arms ensure superior results.
- 120V (GW-100) with built-in 1.5kW electric tank heater maintains the recirculated wash water to the recommended 140°F wash temperature.
- 208-230V (GL-C) with built-in 3kW electric tank heater maintains the recirculated wash water to the recommended 140°F wash temperature.
- Compatible with both Iodine and Chlorine Sanitizers.
- Simple controls for operation and cleaning.
- All stainless steel construction assures trouble free service and a long life.
- Optional rinse temperature allows flexible sanitizing options.
- Poly Pro™ circular conveyor is extremely durable and reduces chipping and breakage of glassware.
- Double wall construction for quiet back bar operation.
- Internal chemical storage.
- Built-in chemical pumps with primer switches.



**GW-100 AND GL-C
INCLUDES DRAIN TRAY AND
WASTE COLLECTOR**



Stainless steel wash/rinse chamber.



Independent spray arms blast water from the top and bottom for optimum cleaning, sanitizing and rinsing.

CMA MIZER®
Registered Trademark



Intertek
3090590



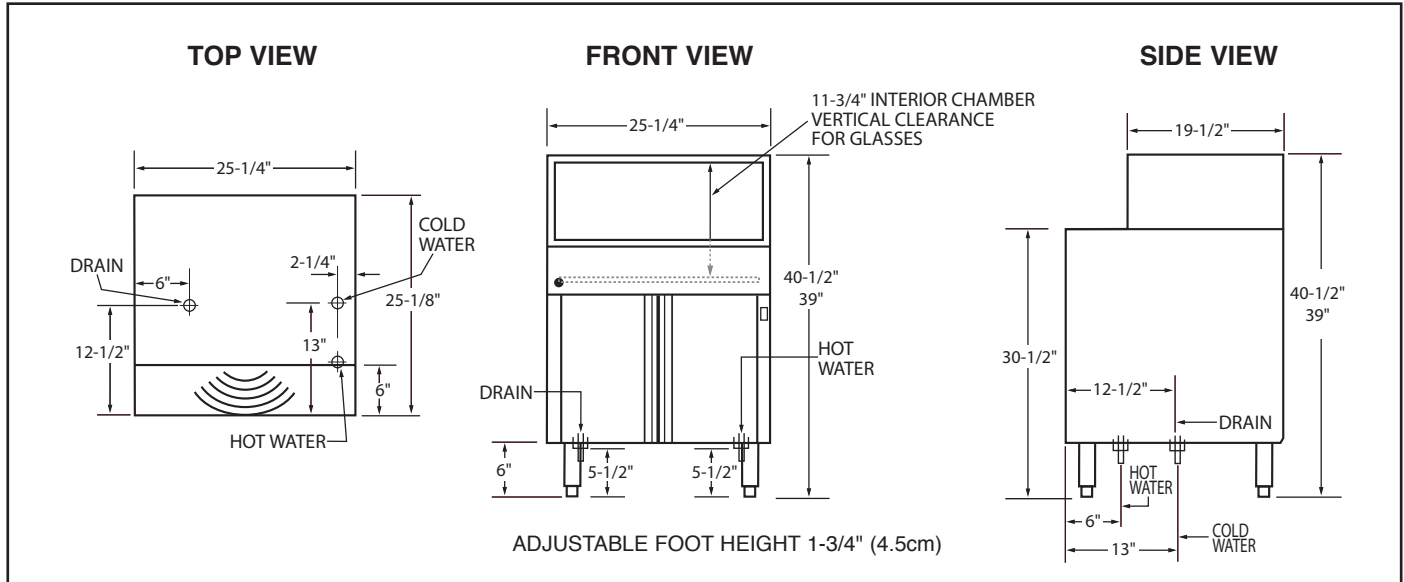
Intertek
3090590



GW-100 / GL-C
120V / 208/230V
 Chemical Sanitizing
 Undercounter Glasswasher

WARNINGS:

- Plumbing connections must be made by a qualified service company who will comply with all available Federal, State, and Local Health, Plumbing and Safety codes.
- CMA recommends utilizing a water softening system to maintain water hardness measurements of 3.5 gpg (grains per gallon) or less. This will assure maximum results and optimum operation of the dishmachine.



Specifications:

MODEL GW-100 AND MODEL GL-C	USA	METRIC	USA	METRIC
OPERATING CAPACITY (2-1/2") GLASSES PER HOUR	1000	1000	DIMENSIONS	
OPERATING TEMPERATURES			DEPTH	25-1/8" (63.8cm)
INLET WATER. (HOT) RECOMMENDED	140°F	(60°C)	WIDTH	25-1/4" (64.1cm)
INLET WATER. (COLD)	75°F	(24°C)	HEIGHT	39"-40-1/2" (99-102.8cm)
WATER CONSUMPTION			MAXIMUM CLEARANCE FOR GLASSWARE	11-3/4" (29.84cm)
HOT WATER (INITIAL FILL)	3 GAL	(11.25 L)	ELECTRICAL RATING	VOLTS
HOT WATER PER HOUR (MAX)	12 GAL	(45.42 L)	GW-100	120/60/1
COLD WATER PER MINUTE (APPROX)	2.8 GPM	(10.6 LPM)	GL-C	208-230/60/1
WATER REQUIREMENTS			TANK HEATER - GW-100	1.5kW
HOT WATER INLET	1/2"	(1.27cm)	TANK HEATER - GL-C	3kW
COLD WATER INLET	1/2"	(1.27cm)	APPROXIMATE SHIPPING WEIGHT	
DRAIN (MAX)	1-1/2"	(3.81cm)	187# GW-100	(84.8kg)
			188# GL-C	(85kg)
			SHIPPING DIMENSIONS	
			PALLET & BOX @ 29" X28" X 41" (GW-100)	
			PALLET & BOX @ 29" X28" X 41" (GL-C)	

Summary Specifications: Model GW-100 (120V) and Model GL-C (208/230)

The **GW-100** and the **GL-C** glasswashers are designed to produce sparkling clean glassware utilizing separate detergent, sanitizer and rinse aid chemical pumps. Standard features include upper and lower wash/rinse arms, wash tank heater, Poly Pro™ conveyor, splash curtains, double-walled construction, and storage space for three 1-gallon containers. The **GW-100** and the **GL-C** are constructed for extended life out of stainless steel.

Advisory: CMA does NOT endorse "Tankless On-Demand" water heaters for use on CMA Dishmachine products. CMA DOES endorse, and highly recommends, the standard "tank" style water heaters, sized properly to handle each particular facility with their water heating requirements.



CMA Dishmachines 12700 Knott Street Garden Grove, CA 92841 • 800-854-6417 • 714-898-8781 • Fax: 714-895-2141 • www.cmadishmachines.com

CMA reserves the right to modify specifications or discontinue models without prior notification.

PN: 10118.50

© 2-2018 CMA, Inc.

an Ali Group Company



The Spirit of Excellence