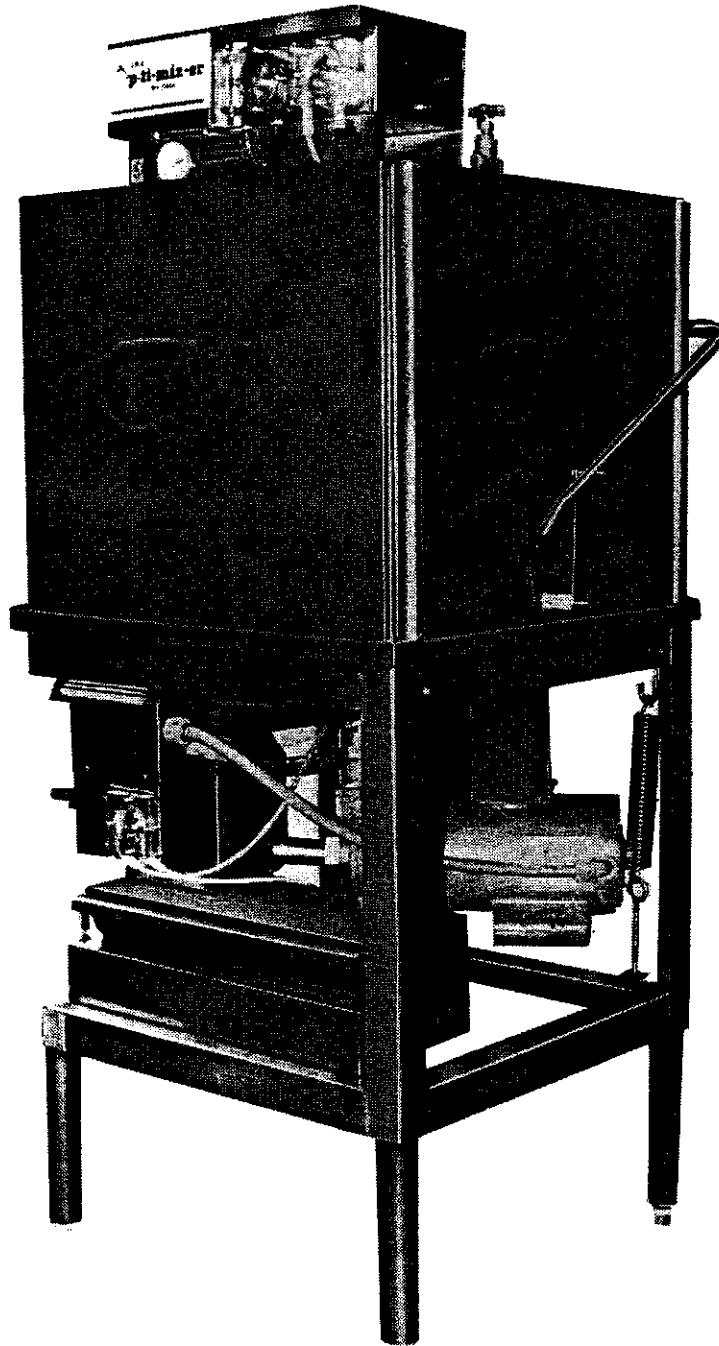


OPTIMIZER

MODELS
VA & C-VA
DISHMACHINE



A Johnson COMPANY
UBX

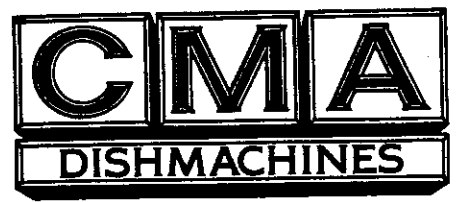


PARTS MANUAL

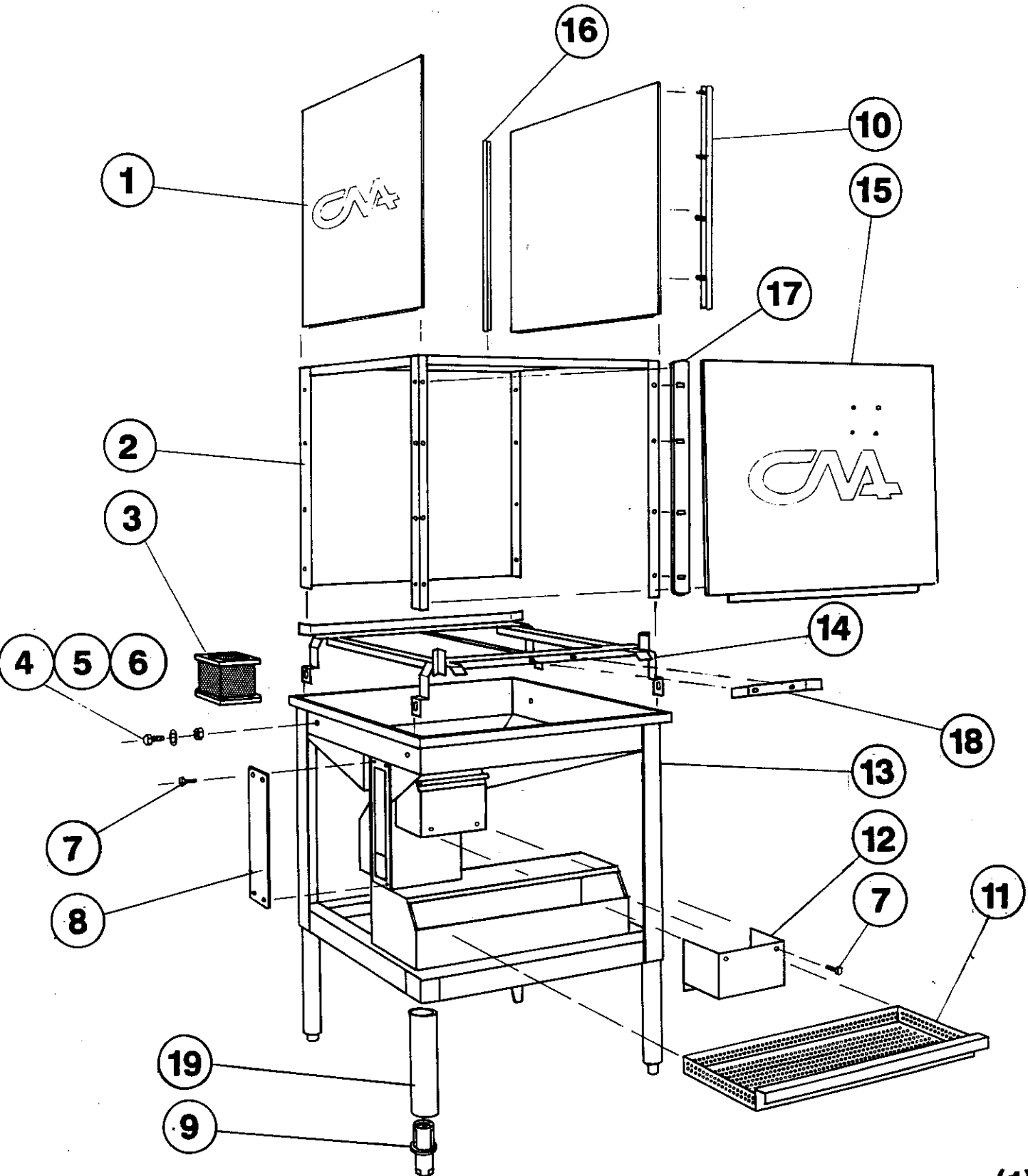
*TABLE
OF
CONTENTS*

<i>ITEM #</i>	<i>PAGE #</i>	<i>DESCRIPTION</i>
1		Cabinet System Assembly VA
2	2	Cabinet System Assembly C-VA
3	3	Door Actuator Assembly System VA
4	4	Door Actuator Assembly System C-VA
5	5	Plumbing System Assembly
6	6	Spray System Assembly
7	7	Power Drain Assembly
8	8	Pump System Assembly
9	9	Control Box System Assembly
10	10	Peri-Pump System Assembly
11	11	Wiring Diagram

VA CABINET SYSTEM ASSEMBLY



A  COMPANY



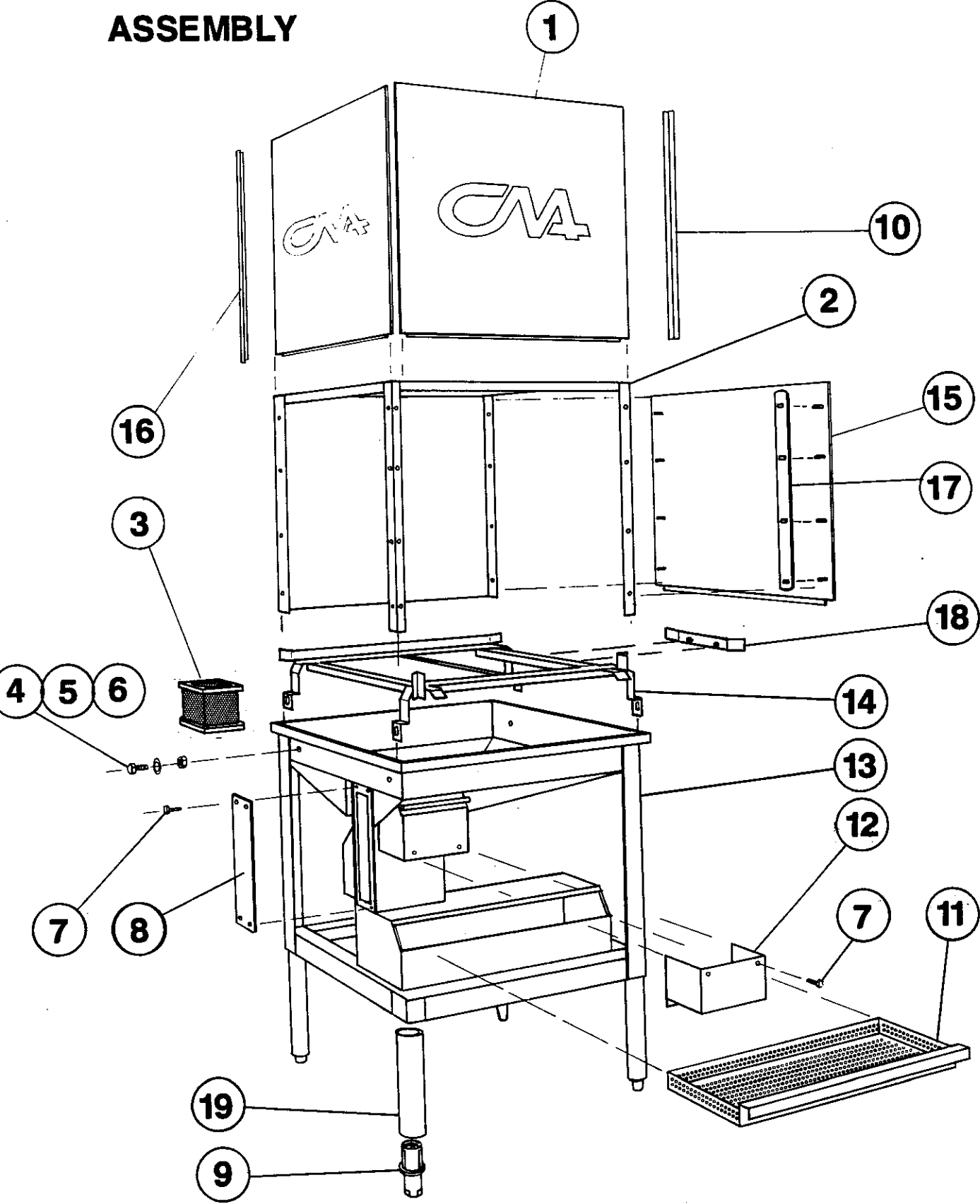
**VA
CABINET SYSTEM
ASSEMBLY**

<i>ITEM #</i>	<i># REQ'D</i>	<i>DESCRIPTION</i>
1	2	P/N 01506.82 Door (V)
2	1	P/N 01530.82 Wrapper (V)
3	1	P/N 00115.82 Drain screen (V)
4	4	P/N 00906.00 1/4" - 20 1/2" hexhead bolt
5	24	P/N 00923.00 1/4" brass washer
6	24	P/N 00912.00 1/4" - 20 Nylon lock nut
7	6	P/N 00941.00 10 - 32 x 5/8" panhead screw
8	1	P/N 00120.82 Power drain cover
9	4	P/N 01310.20 Bullet foot plastic
10	4	P/N 01554.82 Door guide ss (V)
11	1	P/N 01562.82 Scrap trap drawer (V)
12	1	P/N 01573.82 Sani mount/drain lid (V)
13	1	P/N 01502.82 Stand/pan (V)
14	1	P/N 01505.82 Tray track (V)
15	1	P/N 01540.82 Wrapper panel
16	4	P/N 00636.82 EZ glide door guide plastic
17	2	P/N 13706.00 Door seal gasket
18	1	P/N 01582.00 Tray track guide
19	4	P/N 01572.82 Legs (VA -CVA)



A Johnson COMPANY
DUX

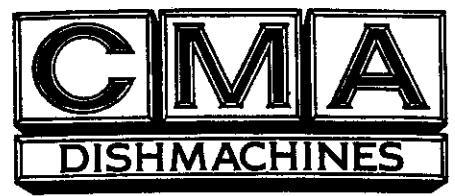
C-VA CABINET SYSTEM ASSEMBLY



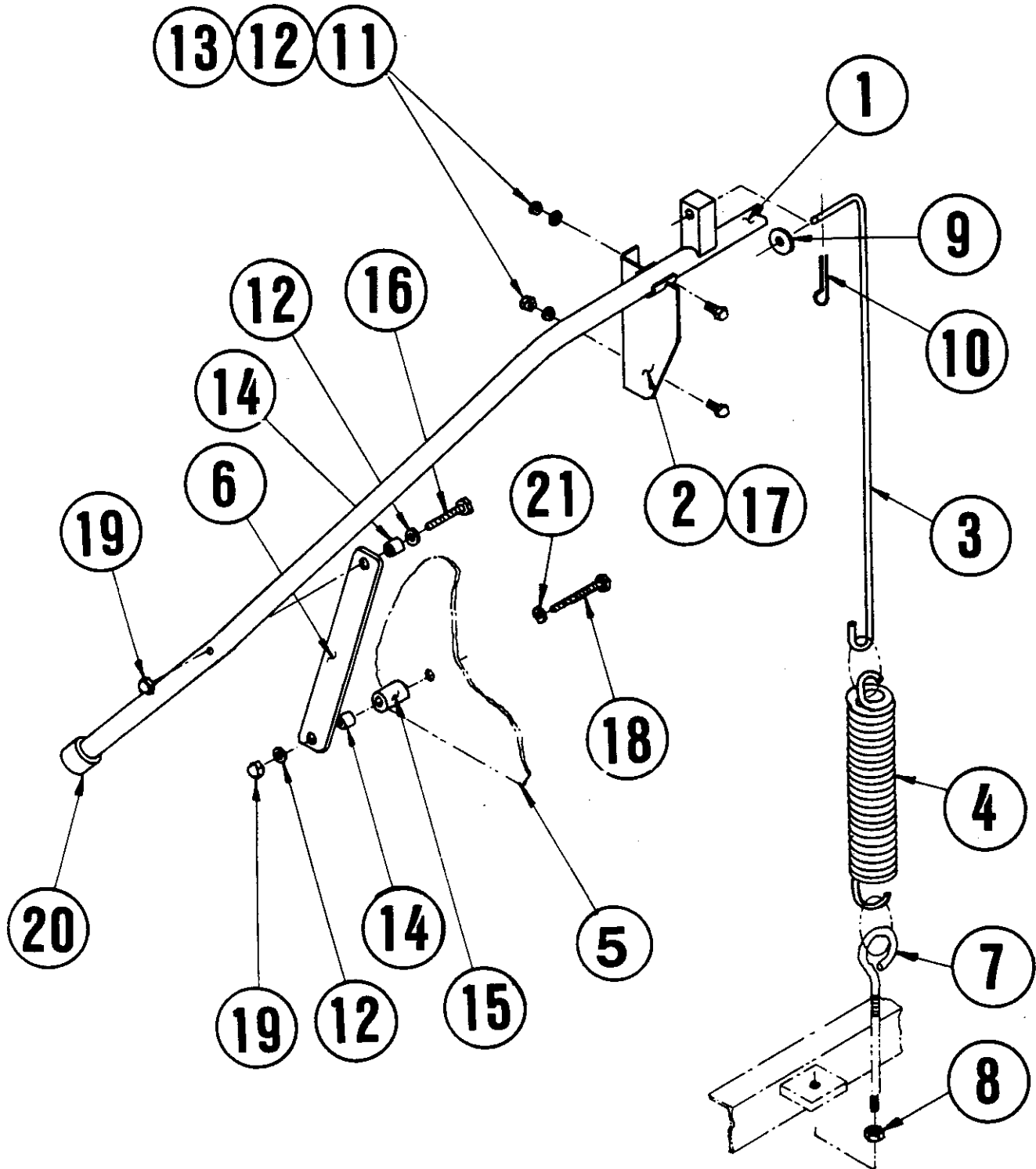
**C-VA
CABINET SYSTEM
ASSEMBLY**

<i>ITEM #</i>	<i># REQ'D</i>	<i>DESCRIPTION</i>
1	2	P/N 01506.82 Door (V)
2	1	P/N 01530.82 Wrapper (V)
3	1	P/N 00115.82 Drain screen (V)
4	4	P/N 00906.00 1/4" - 20 1/2" hexhead bolt
5	24	P/N 00923.00 1/4" brass washer
6	24	P/N 00912.00 1/4" - 20 Nylon lock nut
7	6	P/N 00941.00 10 - 32 x 5/8" panhead screw
8	1	P/N 00120.82 Power drain cover
9	4	P/N 01310.20 Bullet foot plastic
10	4	P/N 01554.82 Door guide ss (V)
11	1	P/N 01562.82 Scrap trap drawer (V)
12	1	P/N 01573.82 Sani mount/drain lid (V)
13	1	P/N 01502.82 Stand/pan (V)
14	1	P/N 01505.82 Tray track (V)
15	1	P/N 01540.82 Wrapper panel
16	4	P/N 00636.82 EZ glide door guide plastic
17	2	P/N 13706.00 Door seal gasket
18	1	P/N 01582.00 Tray track guide
19	4	P/N 01572.82 Legs (VA - CVA)

VA
DOOR ACTUATOR
ASSEMBLY



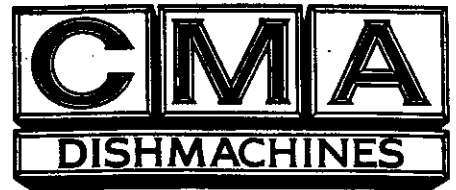
A Johnson COMPANY
MAX



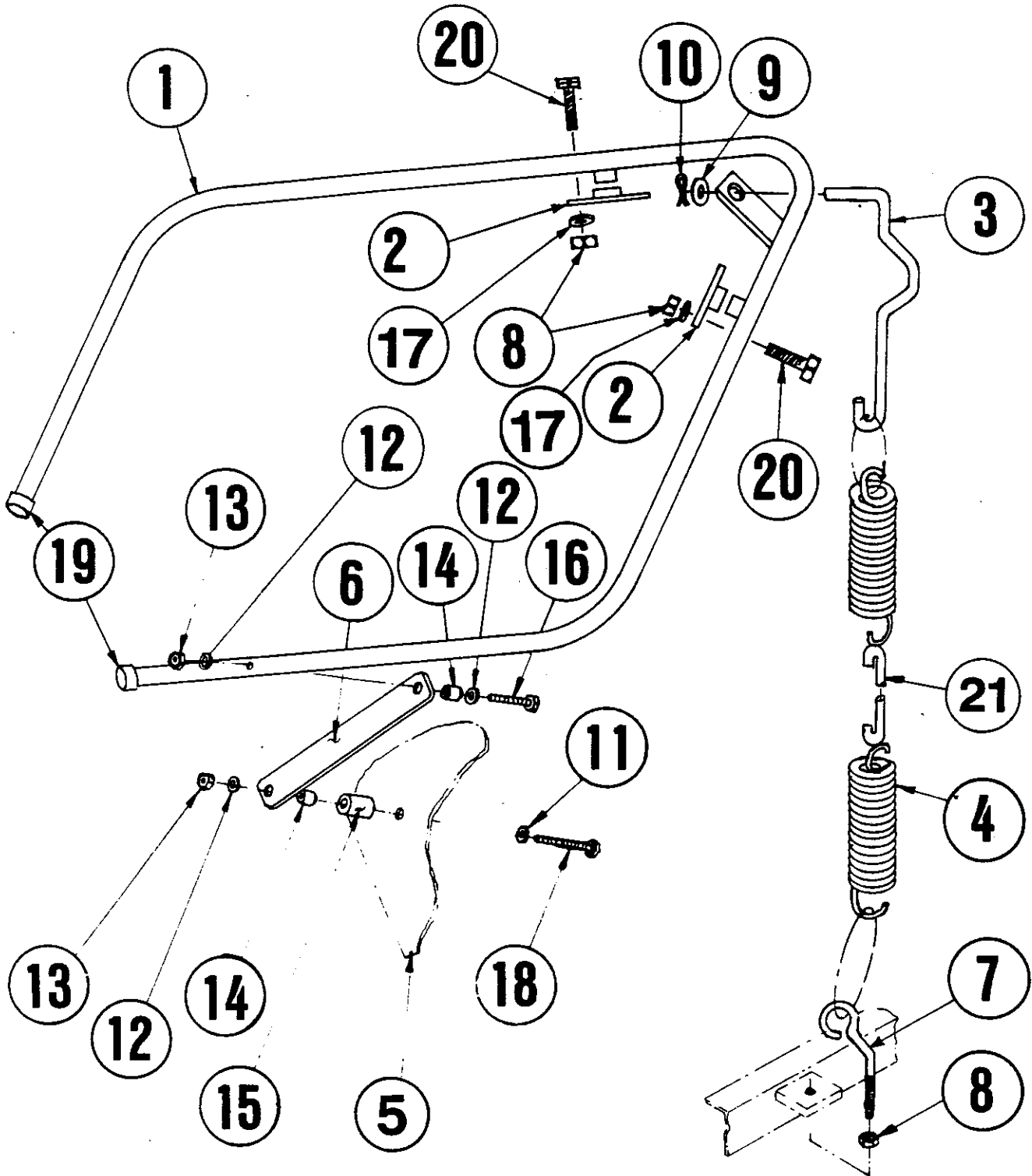
VA
DOOR ACTUATOR
ASSEMBLY

<i>ITEM #</i>	<i># REQ'D</i>	<i>DESCRIPTION</i>
1	1	P/N 00613.82 Door handle (V-AH)
2	1	P/N 01556.00 Door handle support (right)
3	2	P/N 00603.07 Door spring extension rod
4	2	P/N 00602.00 Door spring
5	2	P/N 01506.82 Door (V)
6	2	P/N 01553.00 Door handle link
7	2	P/N 00606.00 5/16" - 18 x 7" eyebolt
8	2	P/N 00913.00 5/16" - 18 nut
9	2	P/N 00926.00 5/16" ss washer
10	2	P/N 00900.00 Cotter pin
11	4	P/N 00906.00 1/4" - 20 x 1/2" hex head screw
12	6	P/N 00924.00 1/4" ss washer
13	4	P/N 00912.00 1/4" 20 nylon insert locknut
14	4	P/N 00610.00 Door handle spacer (small)
15	4	P/N 00611.00 Door handle spacer (large)
16	2	P/N 00910.00 1/4" - 20 x 1-1/2" hex bolt
17	1	P/N 01555.00 Door handle support (left)
18	2	P/N 00903.00 1/4" - 20 x 1-3/4" hex head bolt
19	4	P/N 00912.00 1/4" - 20 nylon insert lock nut
20	2	P/N 00607.07 Door handle cap
21	3	P/N 00923.00 1/4" brass washer

C-VA DOOR ACTUATOR ASSEMBLY



A Johnson COMPANY
MAX



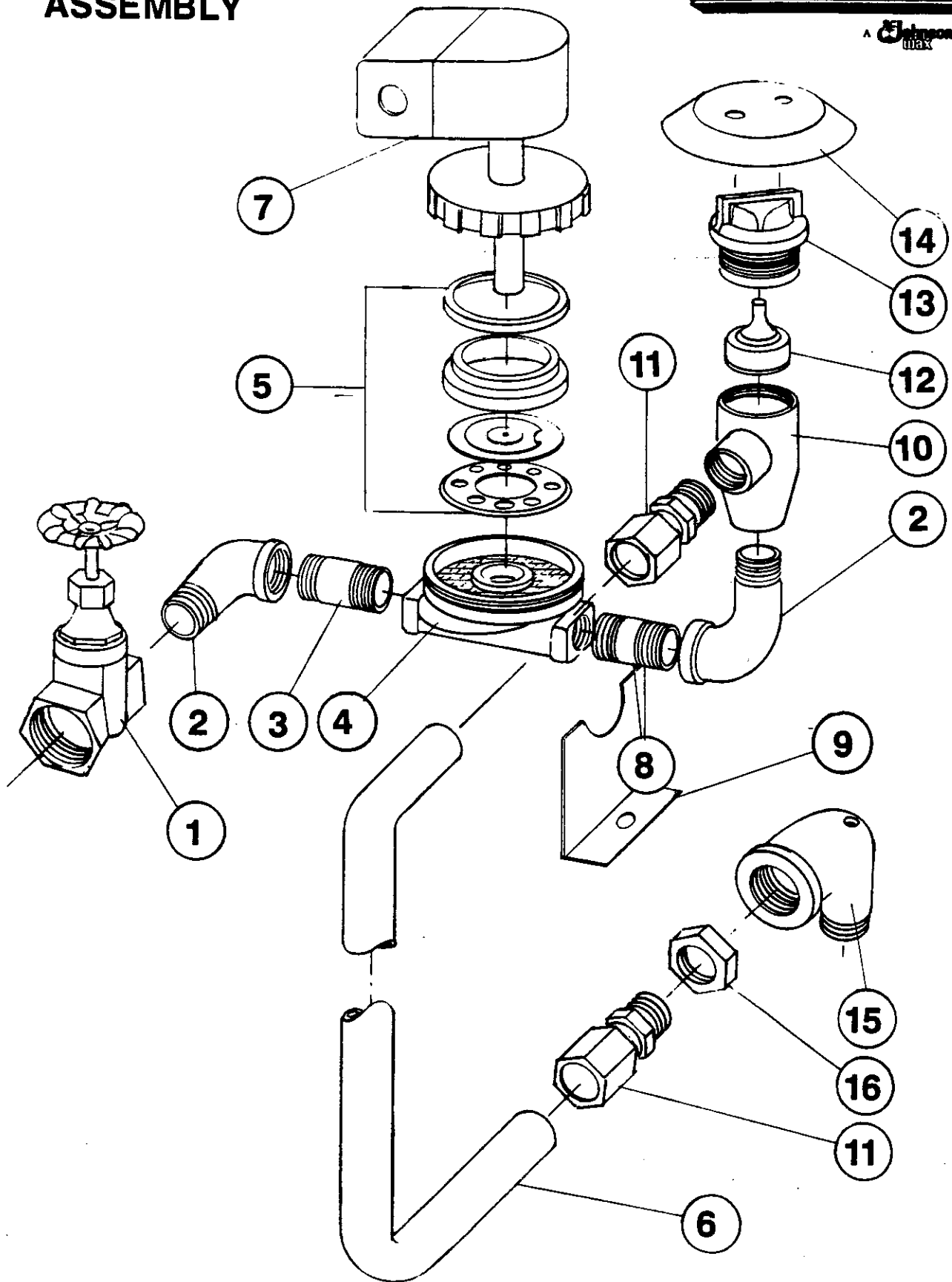
**C-VA
DOOR ACTUATOR
ASSEMBLY**

<i>ITEM #</i>	<i># REQ'D</i>	<i>DESCRIPTION</i>
1	1	P/N 00613.84 Door handle (C-VA)
2	1	P/N 00619.34 Door handle mounting plate - long
3	1	P/N 00603.84 Extension rod (C-VA)
4	2	P/N 00602.00 Door spring
5	2	P/N 01506.82 Door (V)
6	2	P/N 01553.00 Door handle link
7	1	P/N 00606.82 5/16" - 18 x 7" eyebolt CVA (Angled)
8	9	P/N 00913.00 5/16" - 18 nut
9	1	P/N 00926.00 5/16" ss washer
10	1	P/N 00900.00 Cotter pin
11	2	P/N 00923.00 1/4" brass washer
12	6	P/N 00924.00 1/4" ss washer
13	4	P/N 00912.00 1/4" - 20 nylon insert lock nut
14	4	P/N 00610.00 Door handle spacer (small)
15	4	P/N 00611.00 Door spacer (large)
16	2	P/N 00903.00 1/4" - 20 1-3/4" hex head bolt
17	8	P/N 00925.00 5/16" brass washer
18	2	P/N 00903.00 1/4" - 20 x 1-3/4" hex head screw
19	2	P/N 00607.04 Door handle cap
20	8	P/N 00920.00 5/16" - 18 x 3/4" hex head bolt
21	1	P/N 00604.84 Door extension link

PLUMBING SYSTEM ASSEMBLY



A Johnson COMPANY
DIXIE



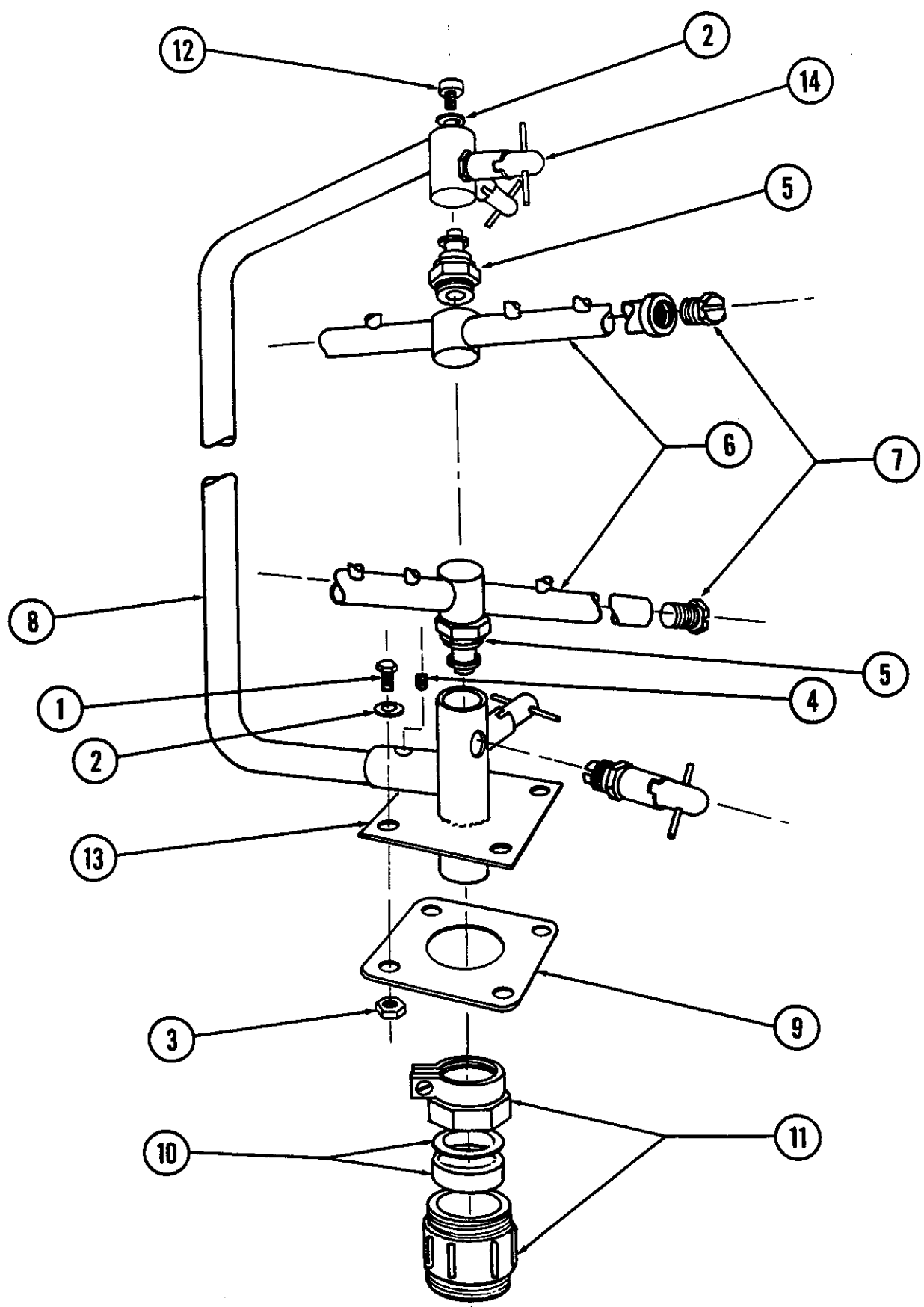
**PLUMBING SYSTEM
ASSEMBLY**

<i>ITEM #</i>	<i># REQ'D</i>	<i>DESCRIPTION</i>
1	1	P/N 03600.00 1/2" cate valve
2	2	P/N 00745.00 1/2" street elbow
3	1	P/N 00747.00 1/2" x 4-1/2" nipple
4	1	P/N 03603.50 1/2" water solenoid assembly J/E
5	1	P/N 00707.00 1/2" water solenoid repair kit
6	1	P/N 00796.82 Flush tube (V)
7	1	P/N 00738.10 Water solenoid coil
8	1	P/N 00742.00 1/2" x 1-1/2" brass nipple
9	2	P/N 01525.00 Plumbing support bracket
10	1	P/N 03624.00 1/2" vacuum breaker assembly watts
11	2	P/N 00760.00 5/8" Comp. x 1/2" MIP adapter
12	1	P/N 03623.00 1/2" vacuum breaker repair kit
13	1	P/N 03624.10 1/2" vacuum breaker bunnet plastic
14	1	P/N 00739.50 Vacuum breaker cap ss
15	1	P/N 00745.82 Water inlet street elbow (V)
16	1	P/N 00721.00 1/2" jamb nut

SPRAY SYSTEM ASSEMBLY



A  COMPANY

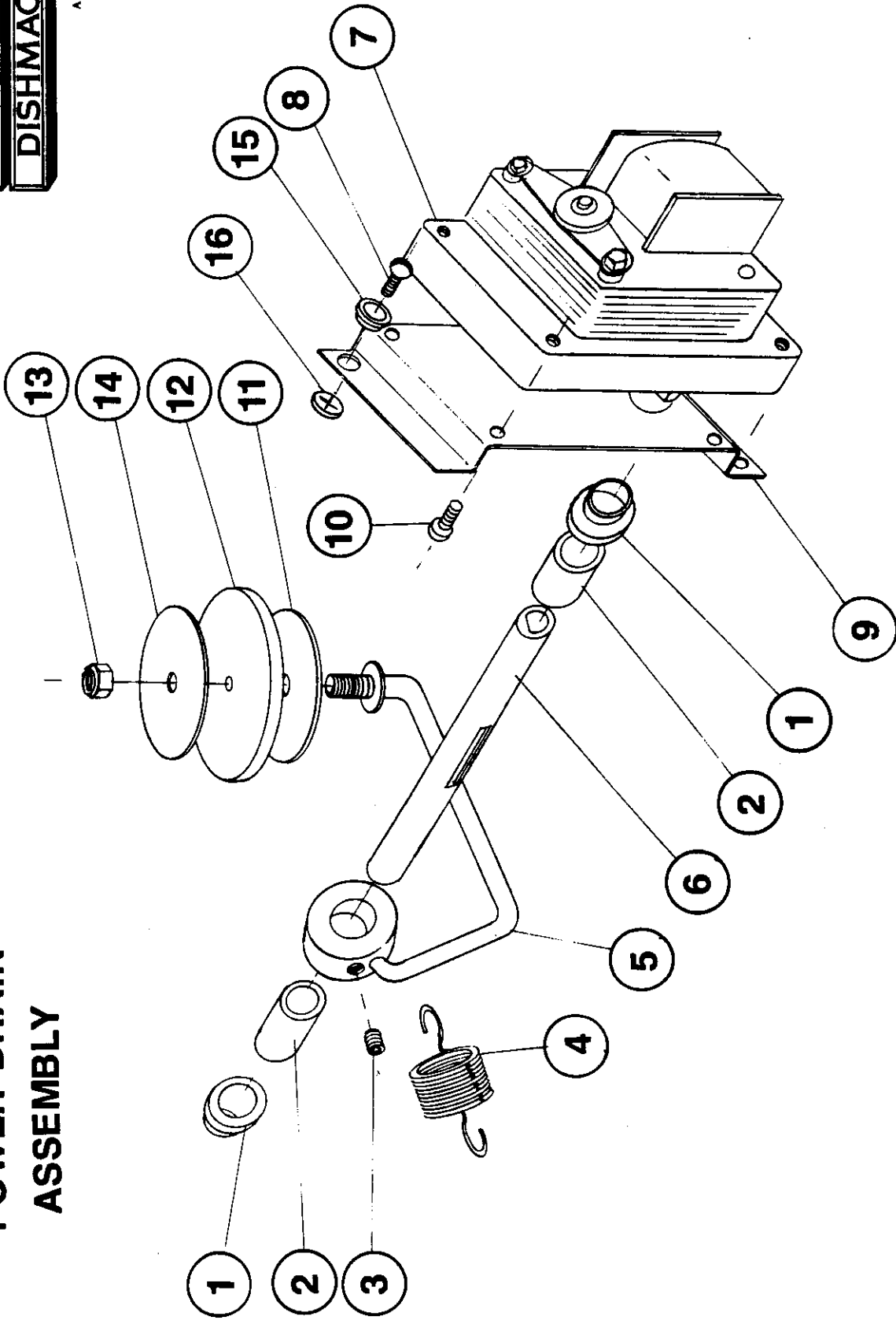


**SPRAY SYSTEM
ASSEMBLY**

ITEM #	# REQ'D	DESCRIPTION
1	4	P/N 00914.00 1/4" - 20 X 3/4" hexhead bolt
2	5	P/N 00923.00 1/4" brass washer
3	4	P/N 00912.00 1/4" - 20 nylon lock nut
4	1	P/N 00935.00 1/4" - 20 x 1/4" allen screw
5	2	P/N 00341.00 Spray arm bearing
6	2	P/N 00304.06 A/C spray arm
7	4	P/N 00308.50 Spray arm end plug
8	1	P/N 00305.83 Spray manifold VA (new)
9	1	P/N 04306.00 Square manifold gasket
10	1	P/N 00225.00 1" compression gasket
11	1	P/N 00221.00 1" compression fitting
12	1	P/N 00905.82 1/4" - 20 x 3/8" truss head bolt
13	1	P/N 00360.84 Lower VA spray base (new)
14	4	P/N 00363.00 Spray base lock pin

- * Item #8 includes 2 pcs of Item #14.
- * Item #13 includes 2 pcs of Item #14.
- * Item #11 includes Item #10.

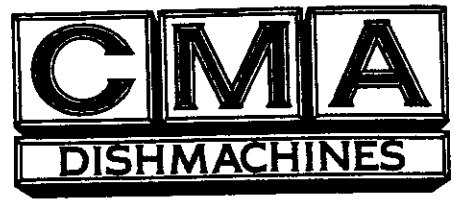
**POWER DRAIN
ASSEMBLY**



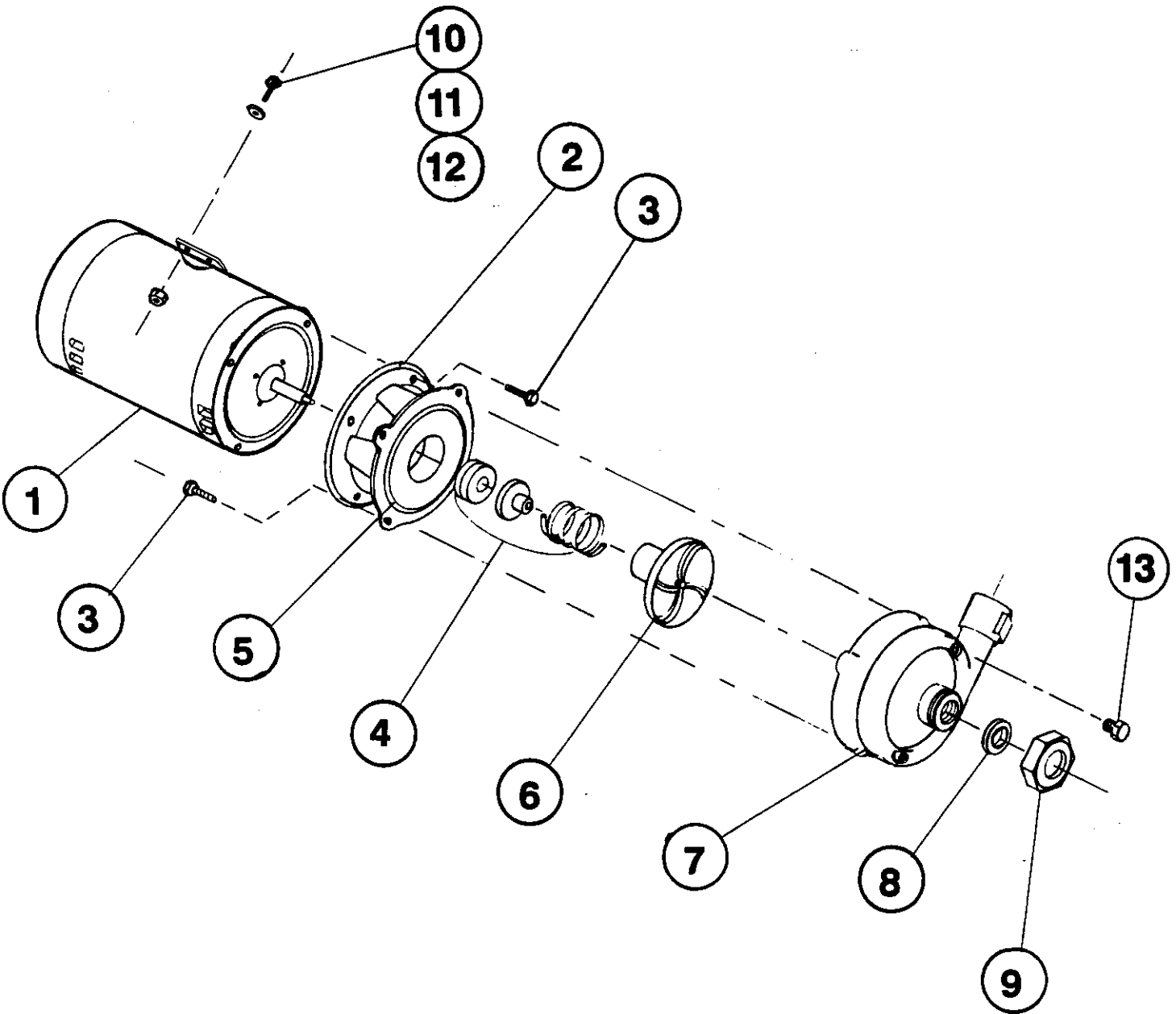
**POWER DRAIN
ASSEMBLY**

<i>ITEM #</i>	<i># REQ'D</i>	<i>DESCRIPTION</i>
1	2	P/N 00938.82 1/2" drain bushing brass (V)
2	2	P/N 00939.82 1/2" drain spacer (V)
3	1	P/N 00935.00 1/4" - 20 x 1/4" allen screw
4	1	P/N 00105.82 Drain spring (V)
5	1	P/N 00108.82 Drain actuator arm (V)
6	1	P/N 00109.82 Drain actuator shaft (V)
7	1	P/N 00416.00 Peri-pump motor
8	4	P/N 00941.00 10 - 32 x 5/8" panhead screw
9	1	P/N 01511.82 Drain motor bracket (V)
10	2	P/N 00941.00 10 - 32 x 5/8" panhead screw
11	1	P/N 01520.82 Diaphragm support disc 1-1/8"
12	1	P/N 00121.60 Drain diaphragm
13	1	P/N 00912.00 1/4" - 20 nylon lock nut
14	1	P/N 01521.82 Diaphragm support disc 2"
15	2	P/N 00508.16 Cam shaft bearing (plastic)
16	2	P/N 00114.82 Nylon retaining washer

PUMP SYSTEM ASSEMBLY



A  COMPANY
LEFAX

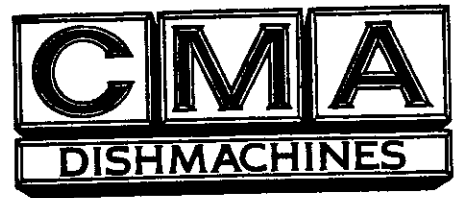


**PUMP SYSTEM
ASSEMBLY**

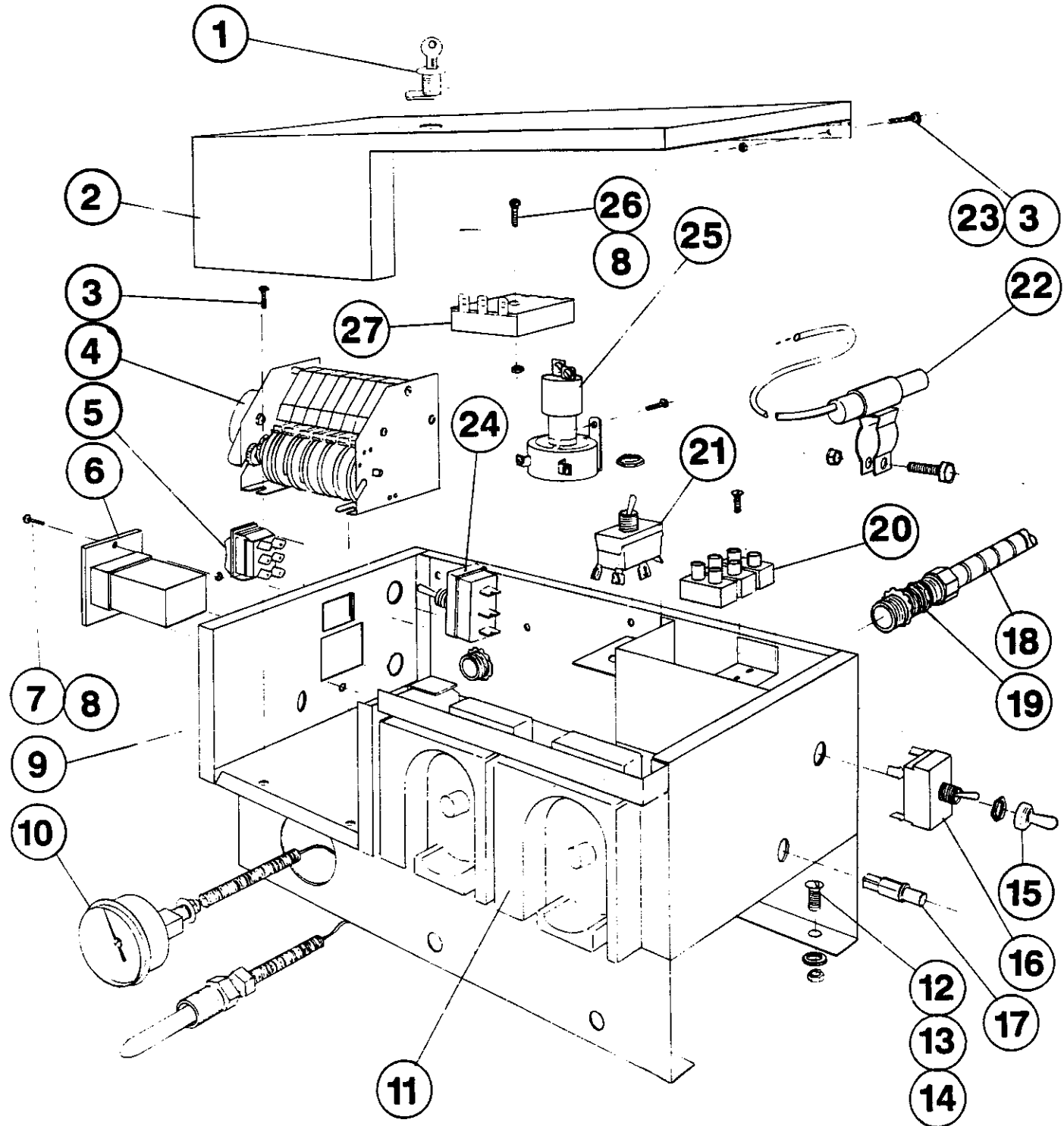
<i>ITEM #</i>	<i># REQ'D</i>	<i>DESCRIPTION</i>
1	1	P/N 00201.00 Pump motor 1hp
2	1	P/N 00202.00 Pump base
3	8	P/N 00921.00 3/8" - 16 x 34" hex head bolt
4	1	P/N 00206.00 Pump seal kit
5	1	P/N 03226.00 Pump "O" ring
6	1	P/N 03222.05 Impeller
7	1	P/N 04206.00 Pump cover
8	1	P/N 00208.00 Slip joint nut gasket
9	1	P/N 04204.00 Compression nut (2.5")
10	2	P/N 00906.00 1/4" - 20 x 1/2" hex bolt
11	2	P/N 00924.00 1/4: ss washer
12	2	P/N 00912.00 1/4" - 2- nylon lock nut
13	2	P/N 00238.00 3/8" male plug

Note: P/N 00200.10 includes items 1, 2, 3, 4, 5, and 6.

CONTROL BOX ASSEMBLY



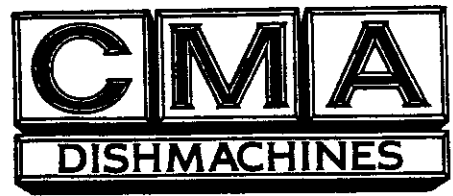
A  COMPANY



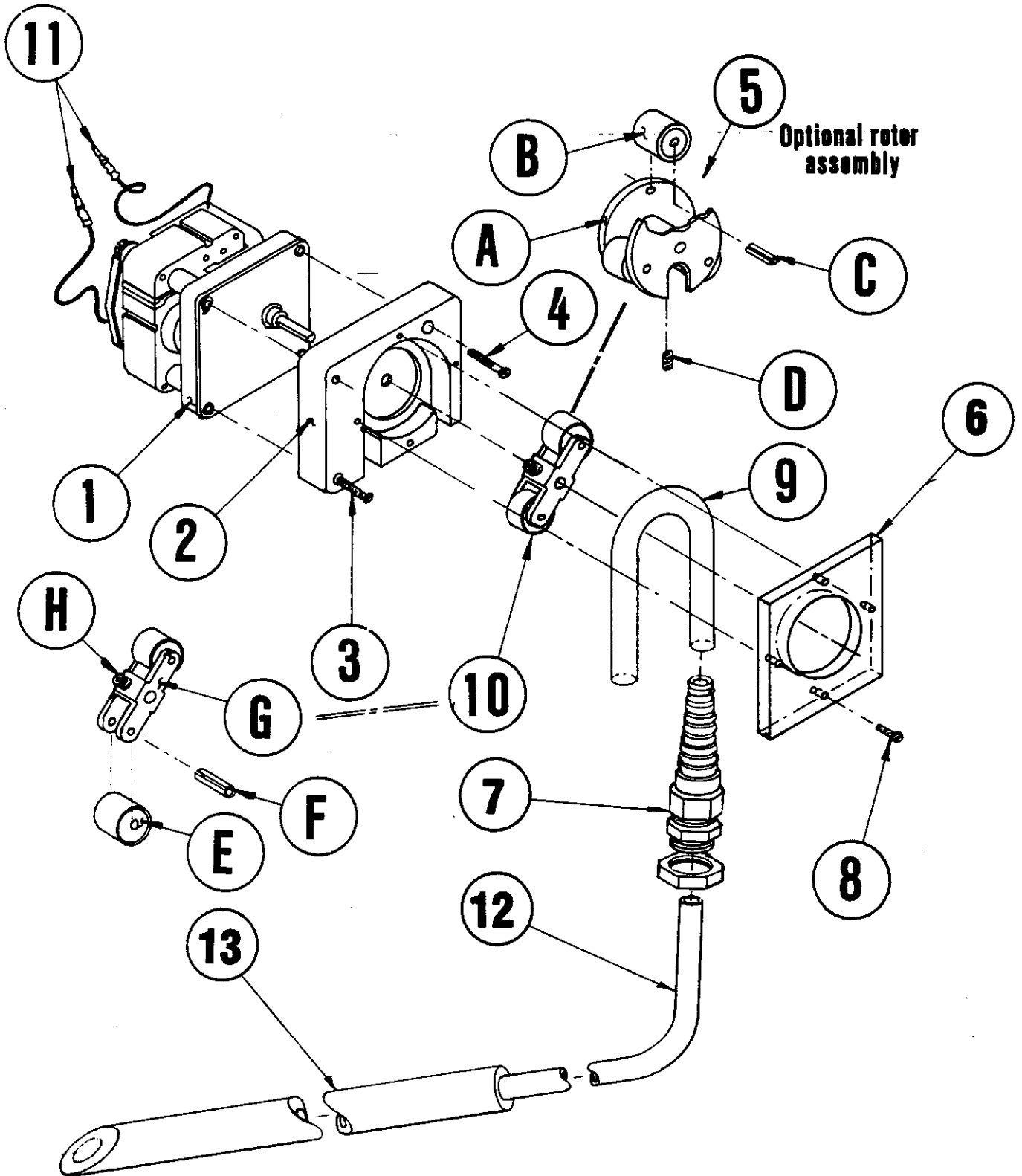
**CONTROL BOX
ASSEMBLY
(CONT'D)**

<i>ITEM #</i>	<i># REQ'D</i>	<i>DESCRIPTION</i>
21	1	P/N 00475.00 Toggle switch (15A)
22	1	P/N 00559.02 Mercury switch (AH - B - VA)
22	1	P/N 00559.04 Mercury switch (C - CVA)
23	3	P/N 00927.00 8 - 32 nylon lock nut
24	2	P/N 03470.00 Toggle switch
25	1	P/N 00404.00 Mercury relay (single)
26	1	P/N 03812.50 8 - 32 x 3/4" panhead screw
27	1	P/N 00630.00 Door activator switch
*	1	P/N 00414.82 Wiring harness (V)

PERISTALTIC PUMP ASSEMBLY



A Johnson COMPANY
UNION



**PERISTALTIC PUMP
ASSEMBLY**

<i>ITEM #</i>	<i># REQ'D</i>	<i>DESCRIPTION</i>
1	1	P/N 00416.00 Peristaltic pump motor
2	1	P/N 00417.00 Peristaltic pump block
3	2	P/N 00919.00 10 - 32 x 1-1/2" pan head screw
4	1	P/N 00918.00 10 - 32 x 1-1/2" fillister head screw
5	optional	P/N 00419.50 3 bearing rotor assembly
A	1	P/N 00424.50 Rotor bearing carriage
B	3	P/N 00423.00 Rotor bearing
C	3	P/N 00422.00 Rotor bearing pin
D	1	P/N 00935.50 1/4" - 28 x 3/16" allen screw
6	1	P/N 00418.00 Peristaltic pump block cover
7	1	P/N 03415.50 Flex-tight fitting
8	4	P/N 00973.00 8 - 32 x 1/2" thumbscrew
9	1	P/N 00435.00 Squeeze tube
10	1	P/N 00419.00 2 bearing rotor assembly
E	2	P/N 00423.00 Rotor bearing
F	2	P/N 00422.00 Rotor bearing pin
G	1	P/N 00424.00 Rotor bearing carriage
H	1	P/N 00935.00 1/4" - 20 x 1/4" allen screw
11	2	P/N 00448.00 Barrel connector (male)
12	as req'd	P/N 00425.51 Chemical tubing (blue)
12	as req'd	P/N 00425.53 Chemical tubing (red)
12	as req'd	P/N 00425.54 Chemical tubing (white)
13	1	P/N 00443.00 Tube stiffener