



Introducing The New

# EST FRONT LOADER

## Chemical Sanitizing Single Rack Dishmachine

### FEATURES:

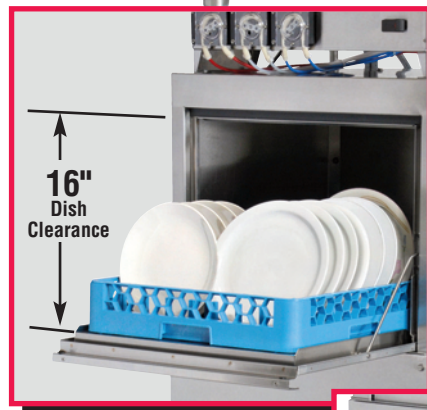
- 75% less floor space than traditional Dishmachines (compact space-saving design)
- Requires only 5.06 sq ft of floor space
- Front loading door design provides optimal working height for easy loading and unloading of dishes
- 90 sec cycle (40 racks per hour) standard 20" X20" racks
- Energy Star water saving design uses only 1.09 gals of water per cycle
- Standard 115v electrical circuit
- Powerful Stainless Steel pump with Upper and Lower Wash Arms
- Pumped fresh water rinse system
- Low-temp chemical sanitizing system which requires minimum 120 degree, ideal 140 degree water supply
- Top mounted controls with automatic 3-product dispensing system
- Large 16" dish clearance
- Interchangeable components compatible with other CMA products
- ETL/NSF/UL/Energy Star Certified
- Built-in scrap accumulator
- Inside sump design

### Available Options

- Built-in Hot Water Assurance System provides hot water every cycle
- Sanitizer Alarm
- CMA Front Skirt



EST Front Loader  
P/N:1614.00



Optimizes space - no dishtables required. Easy loading and unloading.

OPTIONAL Hot water assurance system



CMA Front Skirt available as option.  
P/N:1512.30



12700 KNOTT STREET  
GARDEN GROVE, CALIF. 92841  
800-854-6417 • 714-898-8781 • FAX 714-895-2141  
www.cmadishmachines.com



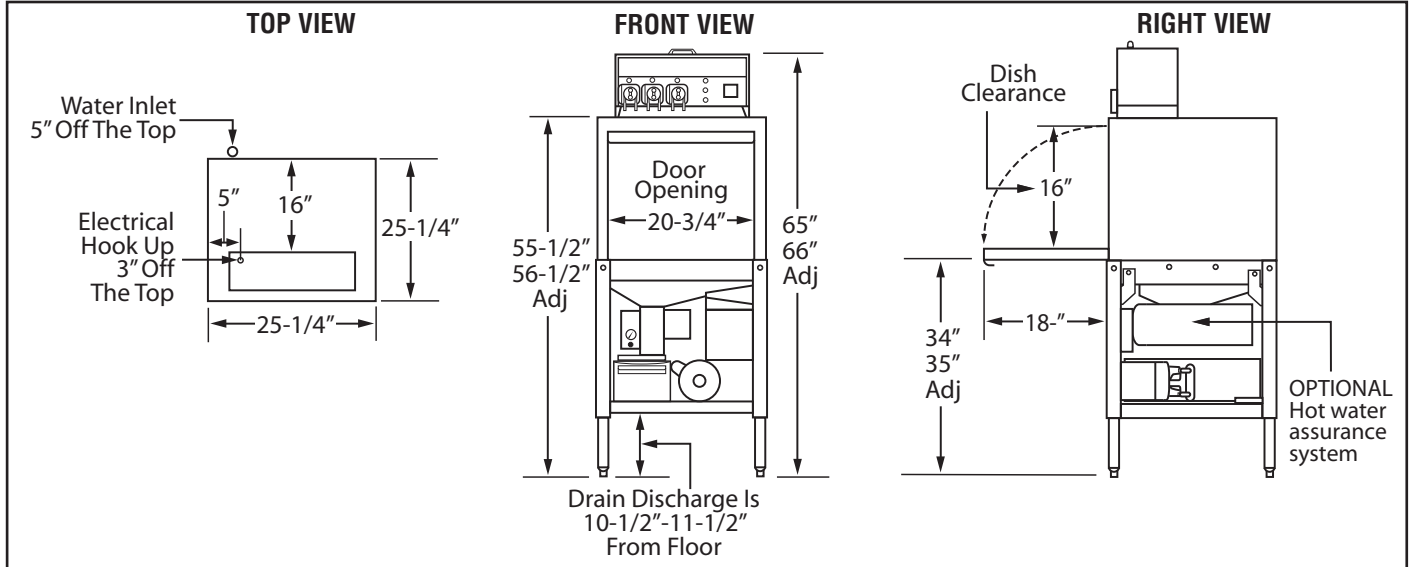


# EST-FL (FRONT LOADER)

## Chemical Sanitizing Single Rack Dishmachine

### WARNINGS:

- Plumbing connections must be made by a qualified service company who will comply with all available Federal, State, and Local Health, Plumbing and Safety codes.
- CMA recommends utilizing a water softening system to maintain water hardness measurements of 3.5 gpg (grains per gallon) or less. This will assure maximum results and optimum operation of the dishmachine.



### Specifications:

	USA	METRIC		USA	METRIC
<b>WATER CONSUMPTION</b>			<b>FRAME DIMENSIONS</b>		
PER RACK	1.09 GAL.	(4.12L)	DEPTH	25-1/4"	(64.1cm)
PER HOUR	43.6 GPH	(165 L)	WIDTH	25-1/4"	(64 cm)
WATER INLET	1/2"	(1.27cm)	HEIGHT	55-1/2"-56-1/2"	(141.2cm-143.5cm)
DRAIN	2"	(5.1cm)	MAXIMUM CLEARANCE HEIGHT FOR DISHES	16"	(43.2cm)
<b>OPERATING CYCLE</b>			<b>STANDARD DISHRACK</b>	1	1
WASH TIME - SEC.	53	53	DIMENSIONS	19-3/4"X19-3/4"	(50X50cm)
RINSE TIME - SEC.	30	30	<b>WASH PUMP MOTOR HP</b>	1	1
DWELL	7	7	<b>ELECTRICAL RATING</b>	<b>VOLTS</b>	<b>AMPS</b>
TOTAL CYCLE	90	90		115	16
<b>OPERATING CAPACITY</b>			<b>SHIPPING WEIGHT</b>		
RACKS PER HOUR	40	40	APPROXIMATE	273#	(124 kg)
<b>WASH TANK CAPACITY</b>	1.09 GAL.	(4.12 L)			
<b>PUMP CAPACITY</b>	52 GPM	(197 LPM)			
<b>OPERATING TEMPERATURE</b>					
REQUIRED	120°F	(49°C)			
RECOMMENDED	140°F	(60°C)			

### Summary Specifications: Model EST Front Loader

The Energy Mizer model EST FRONT LOADER low temperature, chemical sanitizing commercial dishwasher meets UL Electrical and ETL Sanitation (NSF Standard 3) standards. Model EST FRONT LOADER is constructed entirely of stainless steel. Each unit automatically washes, rinses and sanitizes food service utensils in standard 20" x 20" racks. Unit comes with upper and lower stainless steel wash arms.

**Advisory:** CMA does NOT endorse "Tankless On-Demand" water heaters for use on CMA Dishmachine products. CMA DOES endorse, and highly recommends, the standard "tank" style water heaters, sized properly to handle each particular facility with their water heating requirements.



CMA Dishmachines 12700 Knott Street, Garden Grove CA 92841 • 800-854-6417 • 714-898-8781 • Fax: 714-895-2141 • www.cmadishmachines.com

CMA reserves the right to modify specifications or discontinue models without prior notification.

PN: 10108.38

© 1-2017 CMA, Inc.

an Ali Group Company



The Spirit of Excellence