

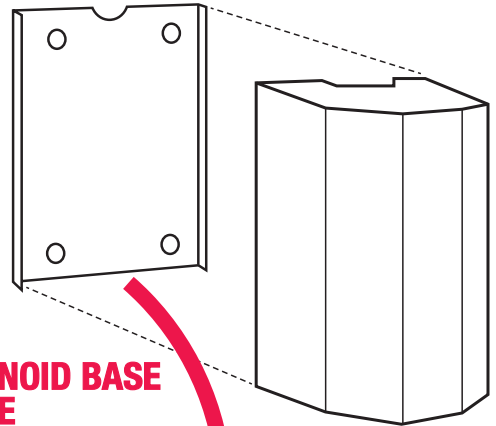


CMA PRODUCT IMPROVEMENT

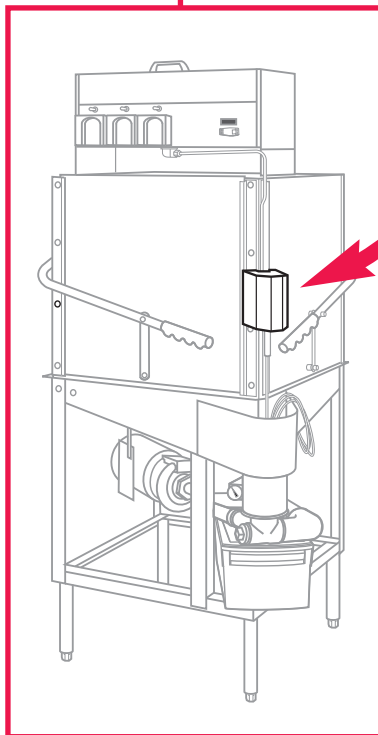
Effective Date: NOVEMBER 2016
Log Number: CMA-PI-472
Subject: SOLENOID BASE PLATE P/N: 00122.60
Models Affected: "C-2," AND ALL "E" SERIES

SOLENOID BASE PLATE

CMA is pleased to announce the addition of our new Solenoid Base Plate. With this new innovative design, the base plate will not allow hot water vapor to enter the space under the cover where the Solenoid is located. This will greatly reduce the possibility of corrosion to the Solenoid components.



**SOLENOID BASE
PLATE
PN: 00122.60**



12700 KNOTT STREET
GARDEN GROVE, CALIF. 92841
800-854-6417 • 714-898-8781
FAX 714-895-2141
www.cmadishmachines.com