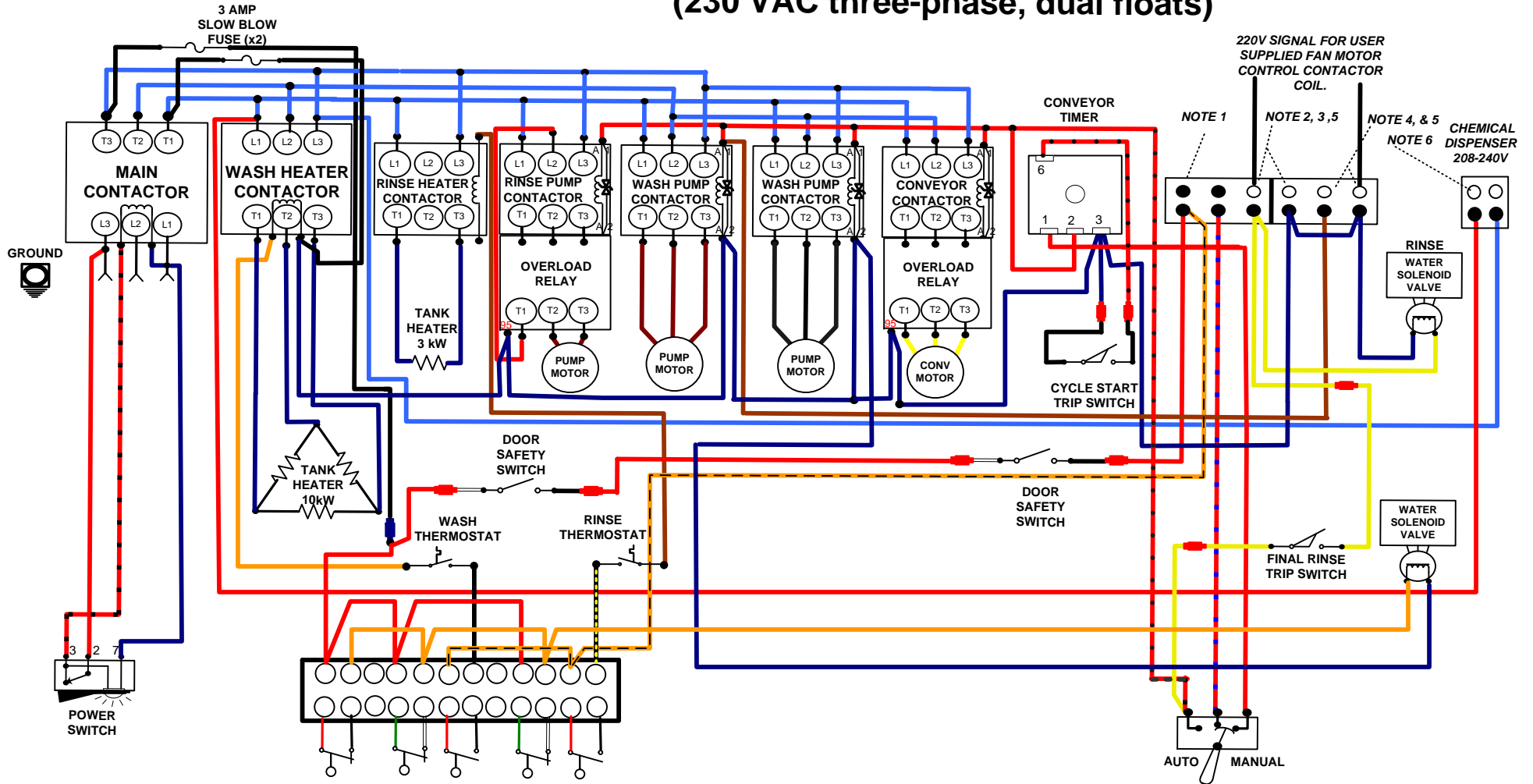


WIRE DIAGRAM FOR MODEL: EST-66

(230 VAC three-phase, dual floats)



NOTES:

- 1: REMOVE JUMPER FOR OPTIONAL TABLE LIMIT SWITCH CONNECTION.
- 2: SANI/RINSE AND SIGNAL FOR FAN MOTOR CONTROL CONTACTOR COIL.
- 3: CONNECT ONLY TO PRIMARY OF LISTED CLASS 2 TRANSFORMER 208-230V 60Hz MAXIMUM 100VA.
- 4: DETERGENT FEEDER CONNECTIONS .
- 5: COMBINED LOAD OF USER DEVICES (CHEMICAL PUMPS, FAN CONTROLS, ETC.) MUST NOT EXCEED 1.5 AMPS.
- 6: DISPENSER POWER BLOCK 208-240 VOLTS