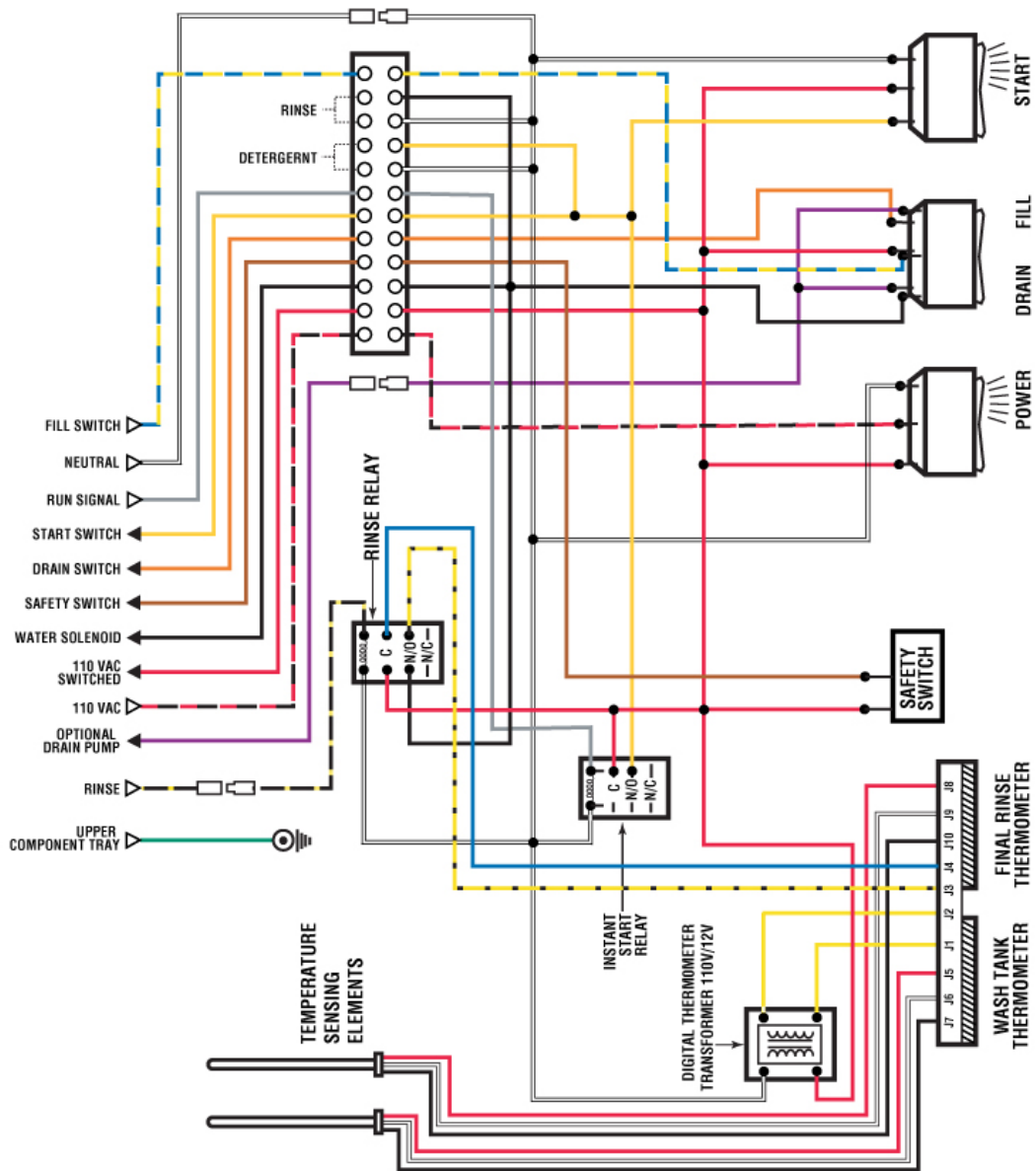


# Electrical Diagram

## 181GW ELECTRICAL DIAGRAM CONTROL PANEL

Rev.2-5-09



# 181GW ELECTRICAL DIAGRAM POWER BOX

