



CMA-130 VL

Ventless High Temperature
Single Rack Dishwasher

**NEW
"VENTLESS"
No Hood
Required**



Features:

- **ENERGY STAR® Approved**
- Replaces need for independent vent hood.
- Operated off cold water supply.
- Heat recovery system that captures water vapor from the wash cycle, and condenses it to heat the incoming cold water.
- Door actuated start.
- Double skin construction, granting perfect heat and soundproofing insulation.
- Solid state, integrated controls.
- Safety Temp feature assures 180°F sanitizing rinse every cycle.
- 12kW electrical booster heater.
- Booster safety thermostat.
- 2.7kW wash tank heater.
- Low 0.69 US gal. water usage per rack.
- 5 washing cycles to choose from 50/90/120/180/300 seconds.
- 70 racks per hour (based on 50 second cycle).
- Fully automatic cycle for easy operation.
- Pumped rinse for a controlled, consistent rinse cycle.
- Pumped drain system allows for elevated drains.
- Pressed tank with rounded corners for easy cleaning.
- Digital thermometers sensing for booster & wash tank.
- Water level safety control.
- Maximum clearance for dishes 16-1/8".
- All Stainless Steel construction.
- Wash tank screens, which filter recirculating wash water, prevent soil from entering sprayarms.



Heavy duty construction with "Easy Lift Opening".



Solid state controlled 5 time cycle option.



Both straight through and corner operation.

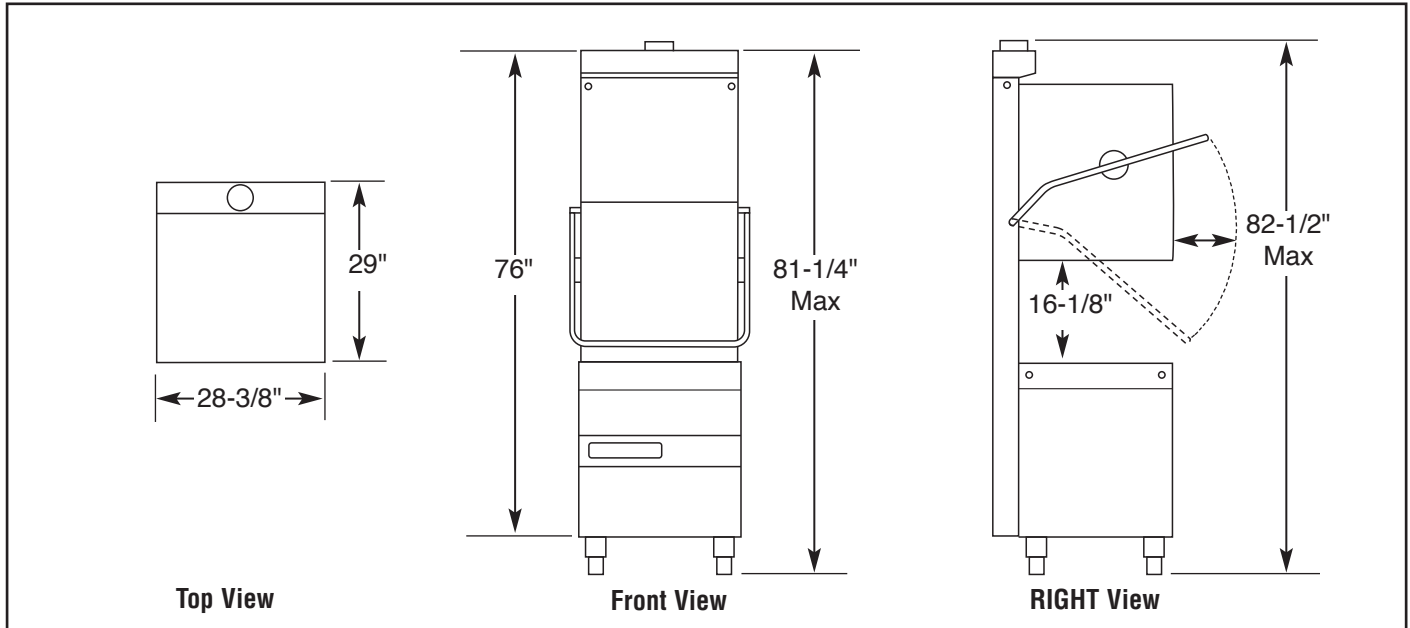




CMA-130 VL

Ventless High Temperature
Single Rack Dishwasher

WARNING: Plumbing connections must be made by a qualified service company who will comply with all available Federal, State, and Local Health, Plumbing and Safety codes.



Specifications:

MODEL CMA-130 PREMIUM		USA	METRIC			
		USA	METRIC	USA	METRIC	
WATER CONSUMPTION						
PER RACK	.69 GAL	(2.6 L)				
PER HOUR	46/27/20/14/8 GPH	(12/7/5/3.7/2 L)				
OPERATING CYCLE						
WASH TIME - SEC.	30/70/100/160/280	30/70/100/160/280				
RINSE TIME - SEC.	15	15				
TOTAL CYCLE	50/90/120/180/300	50/90/120/180/300				
OPERATING CAPACITY						
RACKS PER HOUR	70/40/30/20/12	70/40/30/20/12				
WASH TANK CAPACITY						
	11 GAL.	(42L)				
BOILER CAPACITY						
	3.96 GAL.	(15L)				
WATER REQUIREMENTS						
COLD WATER TEMP MINIMUM	41°F	(5°C)				
WATER INLET	3/4"	(1.9cm)				
DRAIN CONNECTION	1"	(2.4cm)				
INLET PRESSURE MINIMUM	21psi	(150kpa)				
OPERATING TEMPERATURE						
WASH-°F	150°F-160°F	(65°C-71°C)				
RINSE-°F	180°F-195°F	(82°C-90°C)				
WASH PUMP MOTOR HP			1	1		
DIMENSIONS						
DEPTH	29"	(73.5cm)				
WIDTH	28 -3/8"	(72cm)				
HEIGHT	82"-1/2"	(209.5cm)				
MAX CLEARANCE FOR DISHES	16-1/8"	(41cm)				
DRAIN CONNECTION (OFF FLOOR)	10-7/8"	(27.5cm)				
STANDARD DISHRACK			1	1		
DIMENSIONS			19-3/4" X 19-3/4"	(50X50cm)		
ELECTRICAL RATING						
			VOLTS	PHASE	AMPS	
			220-240 ± 6%	3 (ONLY)	40	
			TOLERANCE TESTED			
WASH PUMP MOTOR			2HP	1490W		
RINSE PUMP MOTOR			1/3HP	250W		
WASH TANK HEATER			2.7kW	2.7kW		
BOOSTER HEATER			12kW	12kW		
SHIPPING WEIGHT			320#	145kg		

Summary Specifications: Model CMA-130 VL

CMA-130 VL Ventless Dishmachine, built-in energy recovery/steam condenser recuperating 6kW power from steam and reducing steam emissions to the wash area, thus combining energy savings with a better working environment. Low .69 US gallons water per rack, 5 washing cycles 50/90/120/180/300 seconds. 12 kW electrical booster heater. 2.7 kW wash tank heater.

