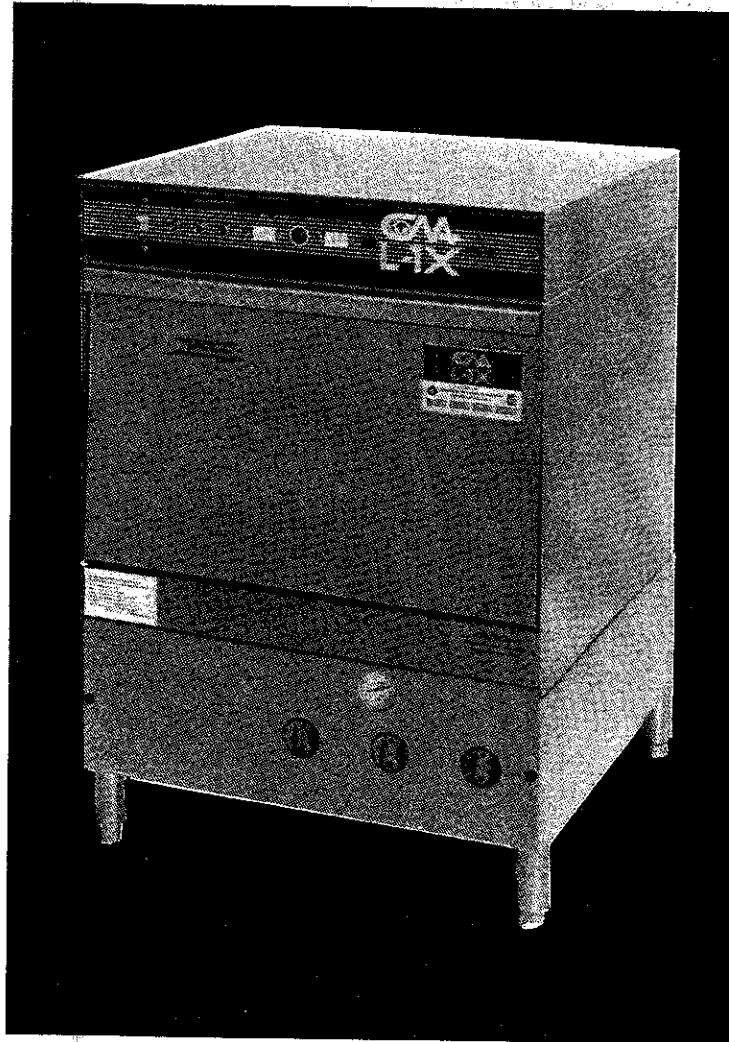


MODEL L-1X

PARTS MANUAL



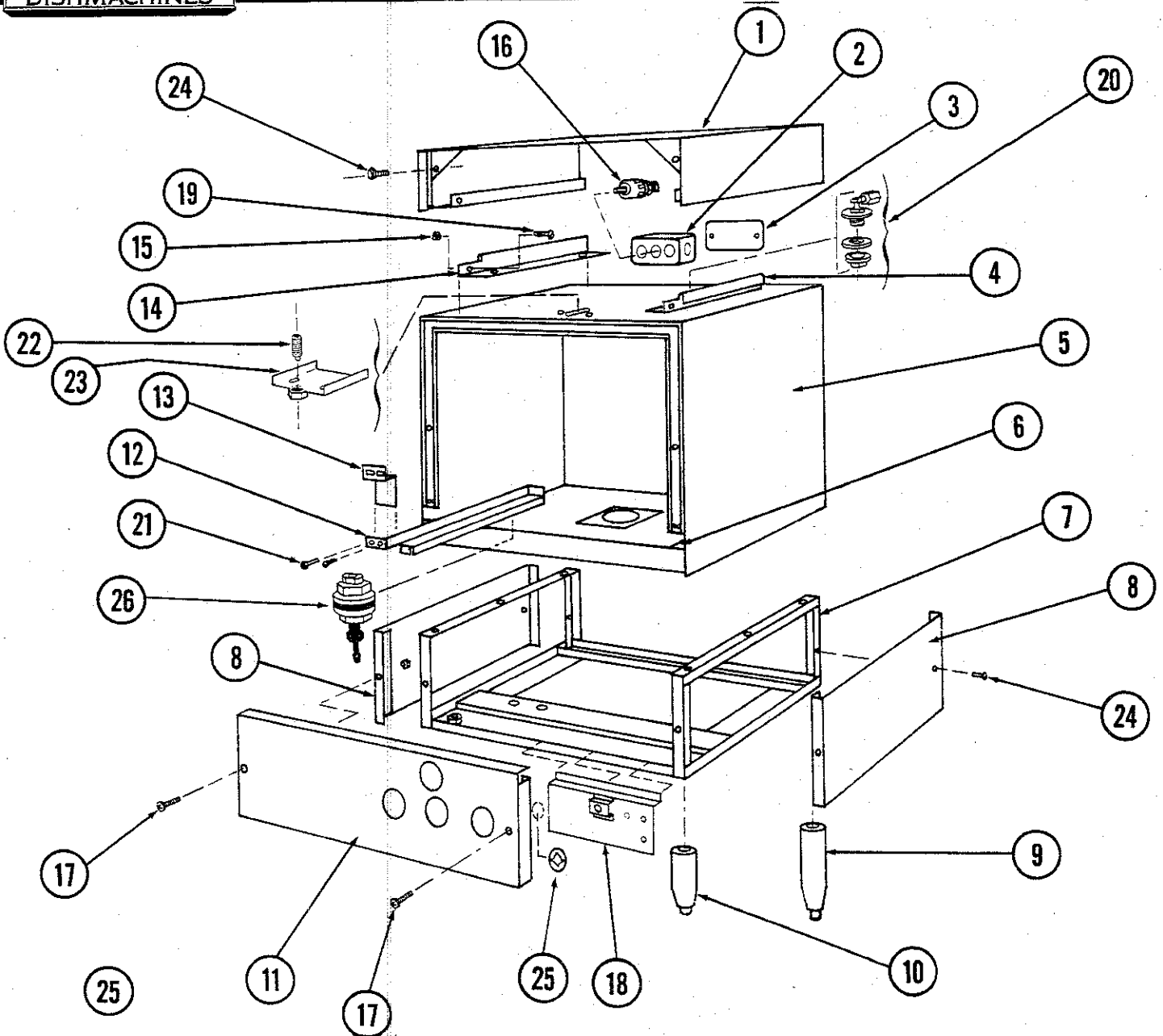
CMA DISHMACHINES
12700 KNOTT AVENUE
GARDEN GROVE, CALIFORNIA 92841

800-854-6417
FAX 714-895-2141



TABLE OF CONTENTS

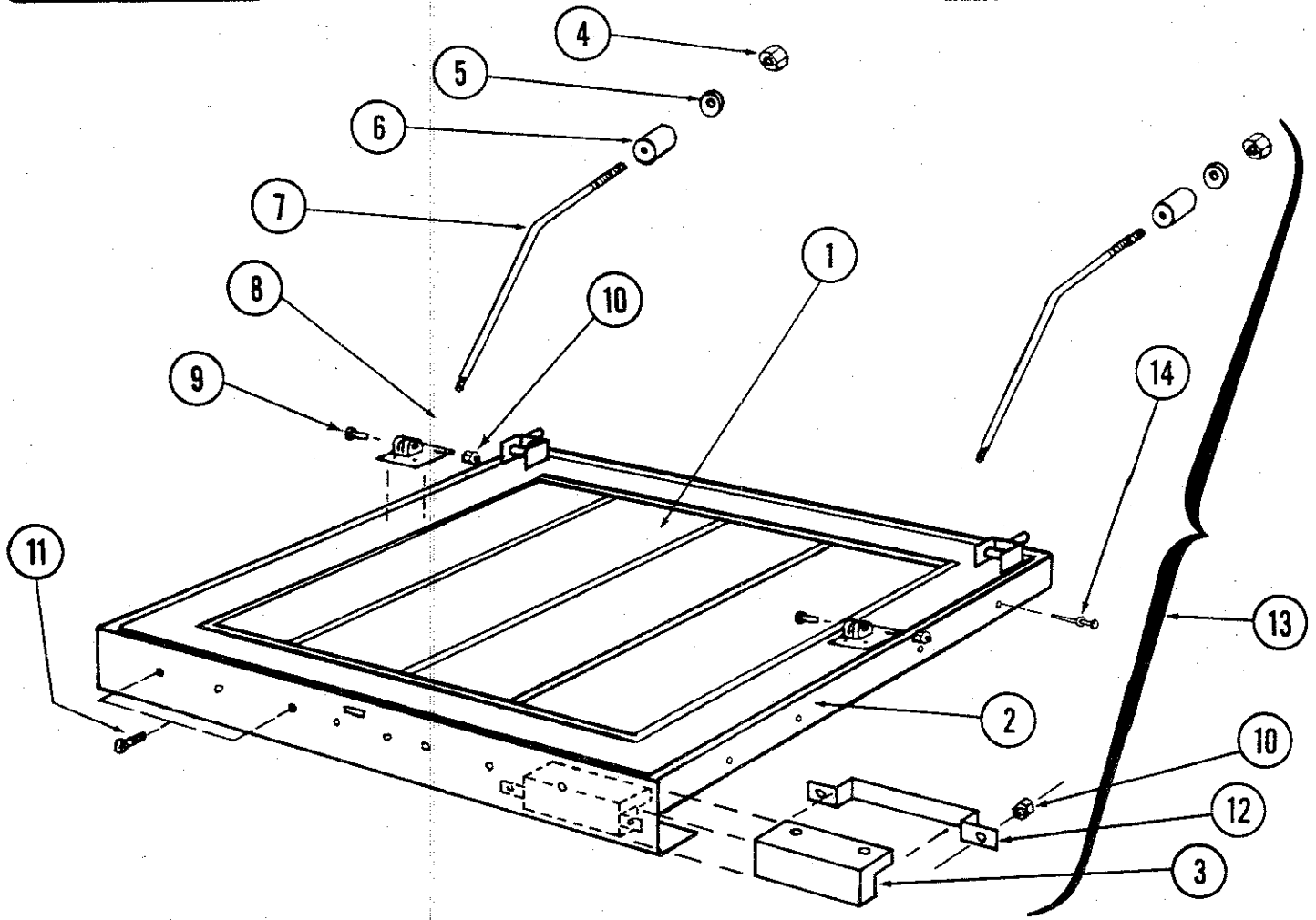
	Page
Cabinet System Assembly	3
Door System Assembly	4
Spray System Assembly	5
Pumps System Assembly	6
Plumbing System Assembly	7
Drain System Assembly	8
L-1X Control Box	9
Peristaltic Pump Assembly	10
L-1X Drain Valve	11
Thermometer	12
City of Chicago Addendum	13



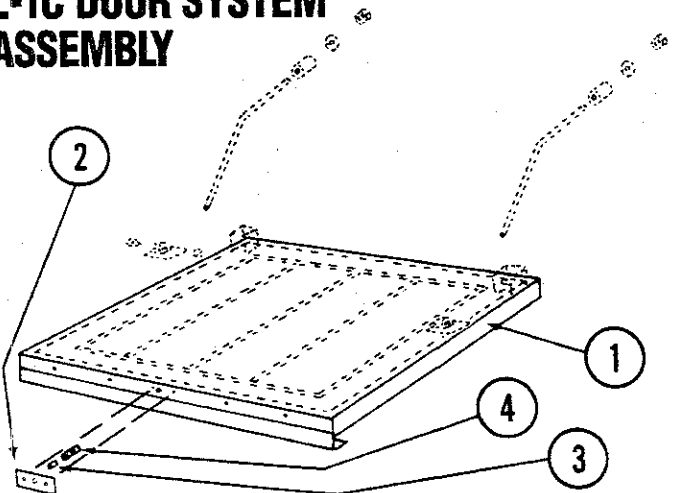
ITEM NO.	NO. REQ'D	DESCRIPTION
1	1	P/N 04903.82, L-1X EZ Top
2	1	P/N 03420.00, Undercounter Bell Box
3	1	P/N 03423.00, Undercounter Bell Box Cover
4	1	P/N 04920.82, Top Guide (RH)
5	1	P/N 04901.00, L-1X Stainless Steel Body
6	1	P/N 04911.00, L-1X Tray Track (RH)
7	1	P/N 04902.82, L-1X Open Style Stand
8	2	P/N 04902.84, Panels for L-1X Open Style Stand
9	4	P/N 01146.00, 6" Leg*
10	4	P/N 01146.50, 4" Leg*
11	1	P/N 04915.00, L-1X Front Peri Pump Panel
12	1	P/N 04912.00, L-1X Tray Track (LH)
13	2	P/N 04910.00, L-1X Splash Shield

ITEM NO.	NO. REQ'D	DESCRIPTION
14	1	P/N 04919.82, Top Guide (LH)
15	8	P/N 00915.00, 1/4" - 20 SS Nut
16	1	P/N 00401.50, 3/8" Black Nylon Straight Connector
17	1	P/N 00941.00, 10 - 32 x 5/8" Pan Head Screw
18	1	P/N 04914.00, L1-C and L-1X Peri Pump Motor
19	4	P/N 00906.00, 1/4" - 20 x 1/2" Hexhead Bolt
20	2	P/N 03415.00, Chemical Tube Bulkhead
21	8	P/N 00914.00, 1/4" - 20 x 3/4" Hexhead Bolt
22	1	P/N 04518.00, L-1X Door Latch Plunger
23	1	P/N 04518.10, L-1X Door Plunger Bracket
24	10	P/N 00940.50, 10 - 32 x 3/8" Truss Head Screw
25	2	P/N 03816.00, Nylon Retaining Washer
26	1	P/N 03415.10, Chemical Tube Bulkhead Barbed

* Optional Parts

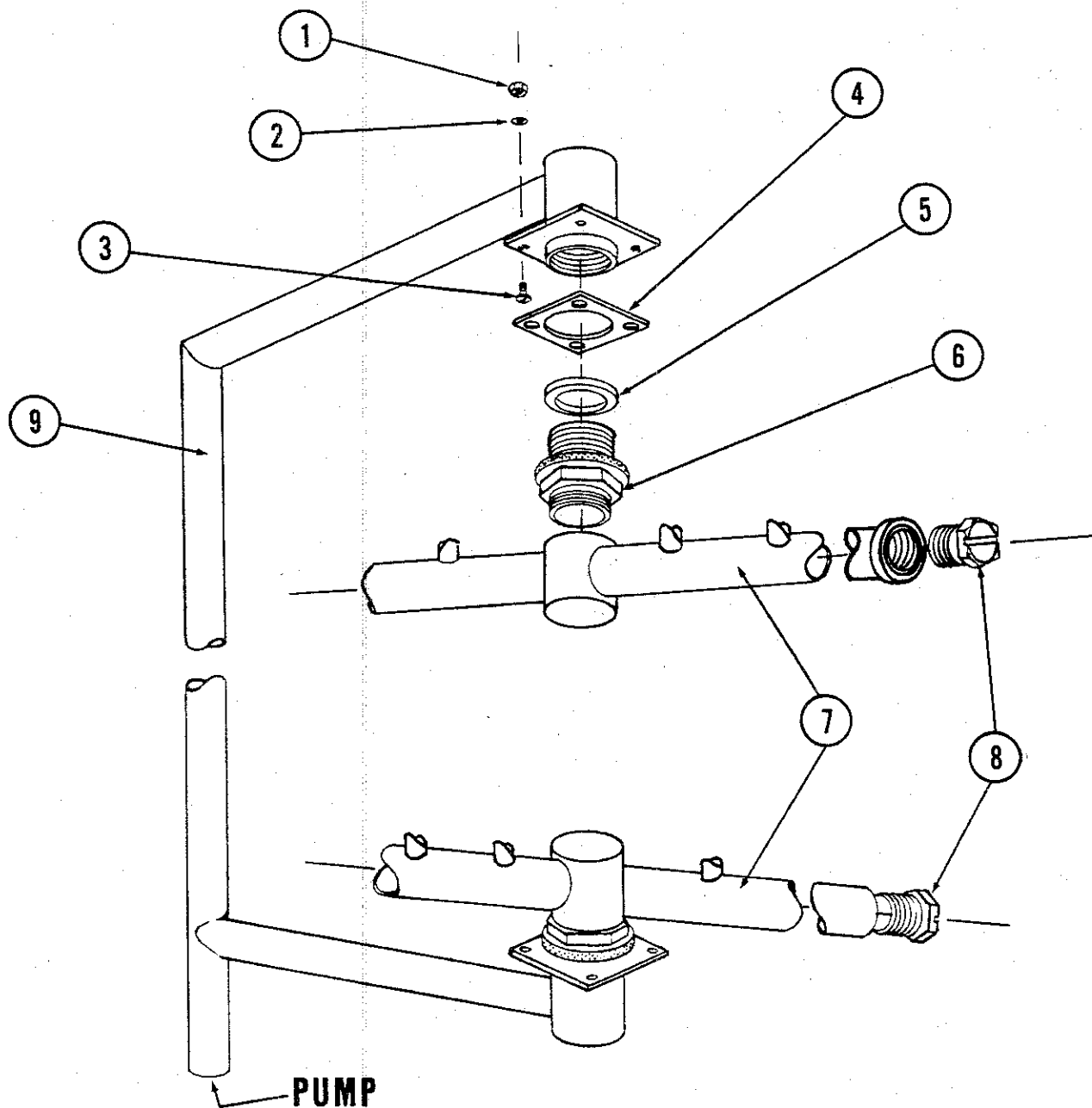


L-1C DOOR SYSTEM ASSEMBLY

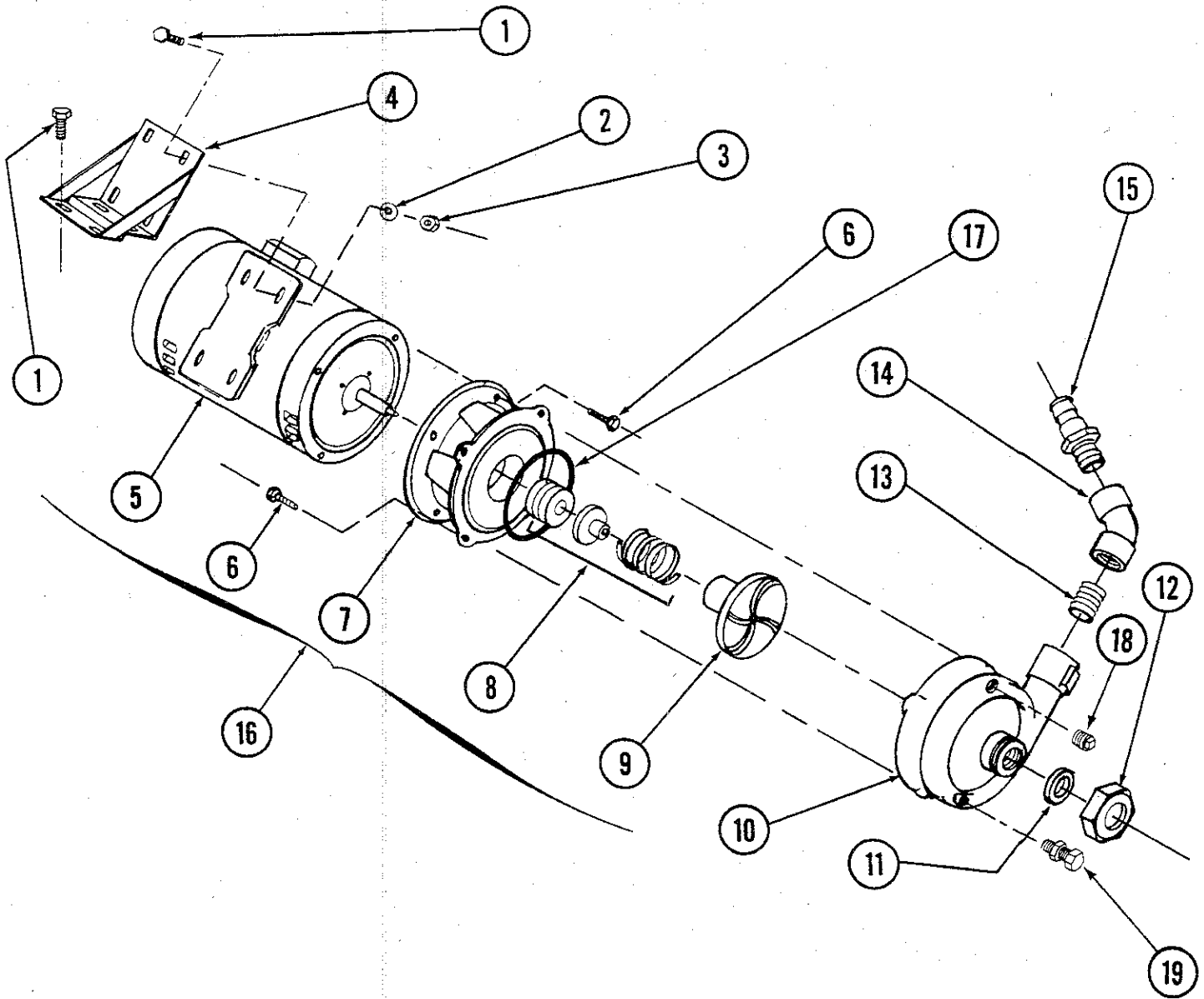


ITEM NO.	NO. REQ'D	DESCRIPTION
1	1	P/N 04906.50, L-1C Door Outer Panel
2	1	P/N 04510.00, L-1C Door Catch Plate
3	1	P/N 04511.00, L-1C Catch Hemi-Ball SS
4	1	P/N 04512.00, L-1C Catch Ball Spring

ITEM NO.	NO. REQ'D	DESCRIPTION
1	1	P/N 04906.00, L-1X Door Inner Panel w/Hinge
2	1	P/N 04906.62, L-1X Door Outer Panel
3	1	P/N 00557.60, New Reed Switch Magnet
4	2	P/N 13805.00, 5/8" - 18 Lock Nut
5	2	P/N 00925.00, 5/16" Brass Washer
6	2	P/N 04517.15, Door Stop (Silicone) Parallel
7	2	P/N 04918.10, Door Support Rod Angled
8	1	P/N 04916.00, Door Clevis
9	3	P/N 13825.00, #8 - 32 x 1" Pan Head Screw
10	2	P/N 00927.00, #8 - 32 Lock Nut
11	4	P/N 13826.00, #4 - 40 x 5/8" Pan Head Screw
12	1	P/N 00558.61, L-1X Reed Switch Magnet Bracket
13	1	P/N 04509.20, L-1X Door Complete
14	17	P/N 00930.00, Pop Rivet SS

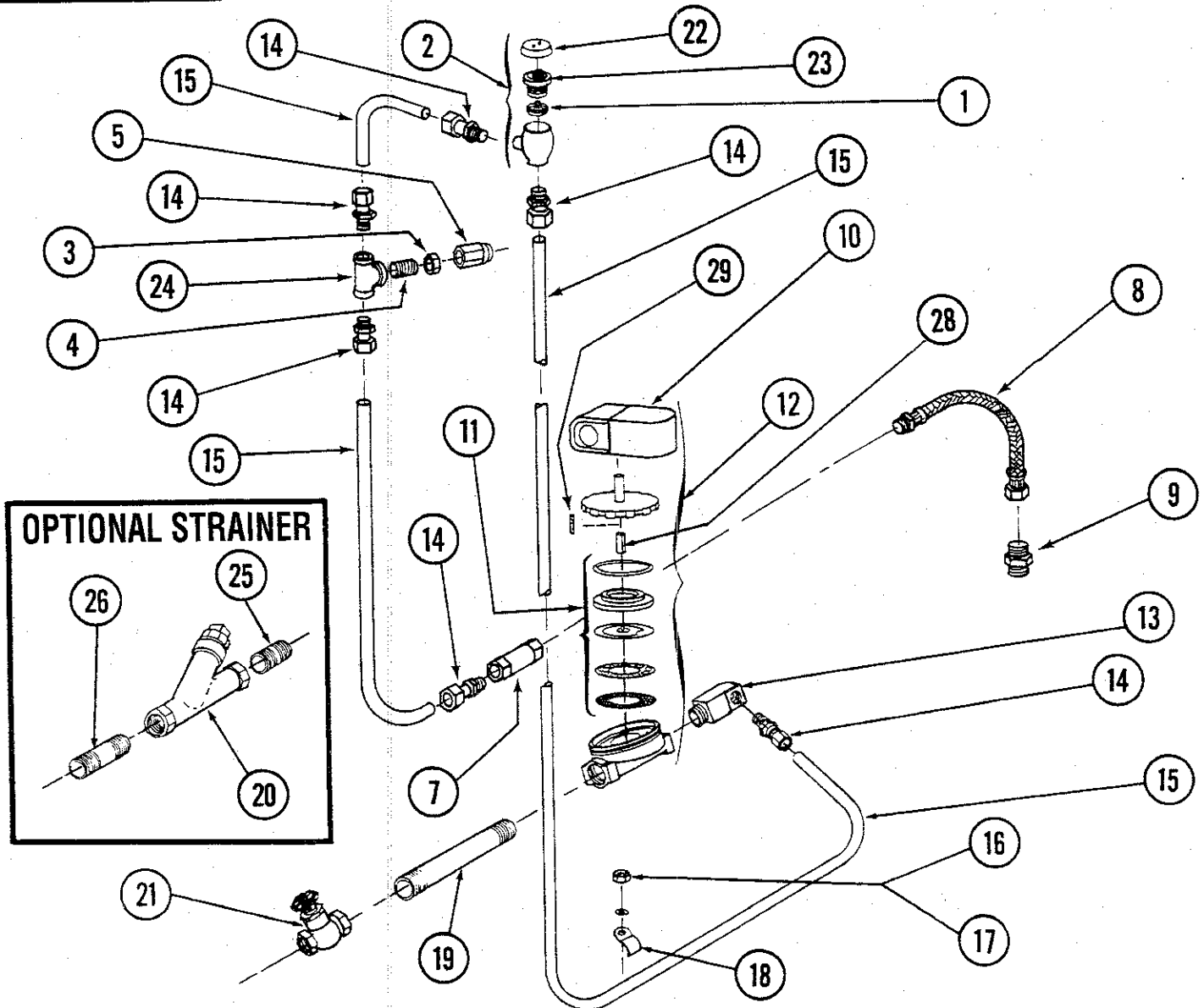


ITEM NO.	NO. REQ'D	DESCRIPTION
1	8	P/N 00912.00, 1/4" - 20 Nylon Lock Nut
2	16	P/N 00932.00, 1/4" SS Washer
3	8	P/N 00929.00, 1/4" - 20 x 3/4" Trusshead Bolt
4	2	P/N 04306.00, Square Manifold Gasket
5	2	P/N 04305.10, Silicon Gasket
6	2	P/N 04303.00, L-1X Spray Arm Bearing
7	2	P/N 00304.03, Spray Arm
8	4	P/N 00308.50, Spray Arm End Plug
9	1	P/N 04301.00, L-1X Spray Manifold



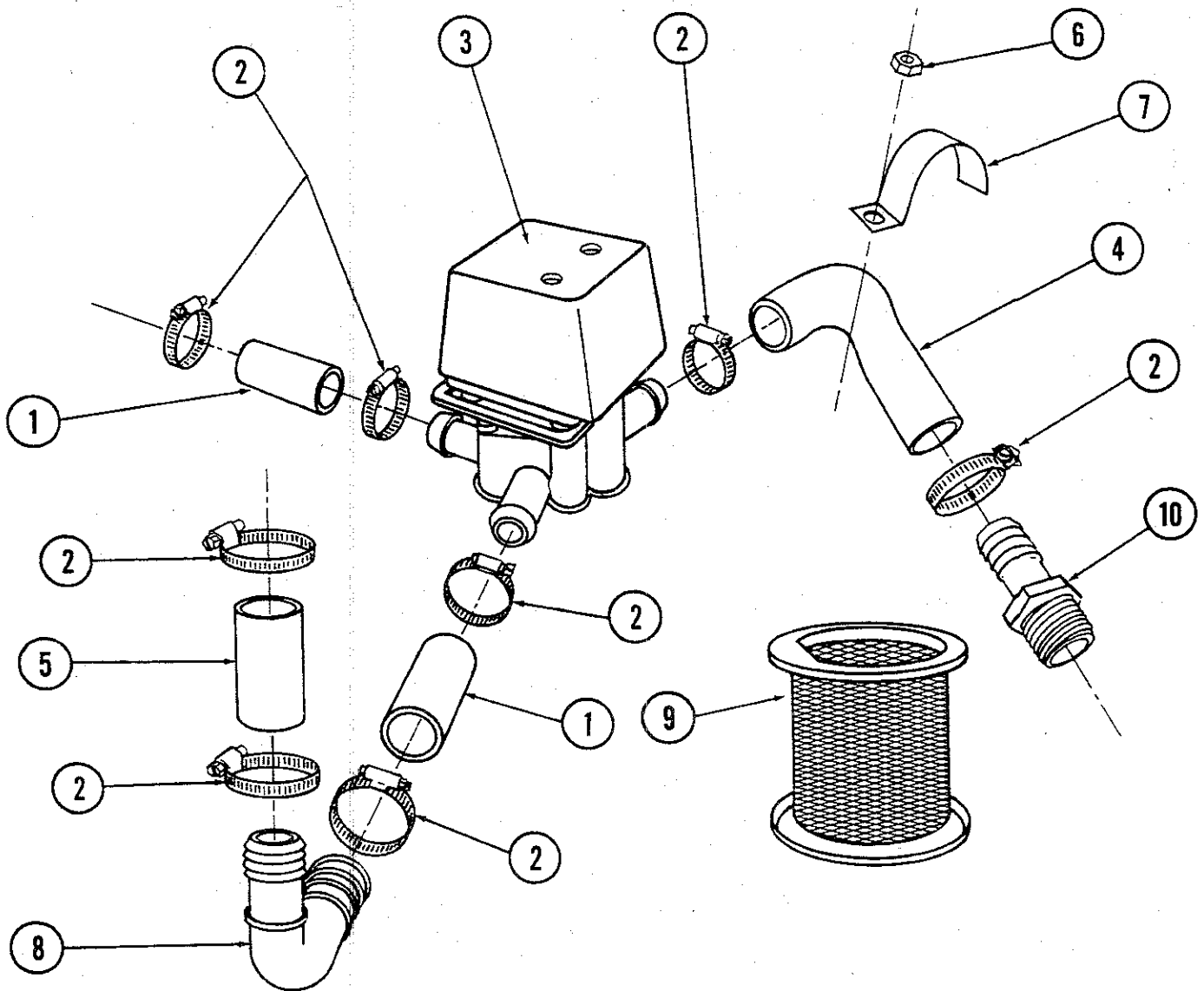
ITEM NO.	NO. REQ'D	DESCRIPTION
1	4	P/N 00908.00, 5/16"-18 x 5/8" SS Hexhead Bolt
2	4	P/N 00926.00, 5/16" SS Washer
3	2	P/N 00913.00, 5/16"-18 Hex Nut
4	1	P/N 04909.00, L-1X Motor Mount
5	1	P/N 00201.00, Water Pump Motor 1 HP
6	8	P/N 00921.00, 3/8"-16 x 3/4" Hex Bolt
7	1	P/N 03224.00, Pump Base (Mount)
8	1	P/N 00206.00, Pump Seal Kit
9	1	P/N 03222.05, Impeller L-1M

ITEM NO.	NO. REQ'D	DESCRIPTION
10	1	P/N 04206.00, Pump Cover
11	1	P/N 00208.00, Slip Joint Nut Gasket
12	1	P/N 04204.00, L-1X Compression Nut 2.5"
13	1	P/N 14004.00, 1" Close Nipple SS
14	1	P/N 04601.00, 45 Degree Elbow FIP x FIP Brass
15	1	P/N 50302.06, 1" MIP x 1" Barb PVC
16	1	P/N 00200.10, Includes Items 5, 6, 7, and 9
17	1	P/N 03226.00, Pump "O" Ring Gasket
18	1	P/N 00238.00, 3/8" Make Plug
19	1	P/N 00214.50, 1/2" Comp x 3/8" MIP FTG



ITEM NO.	NO. REQ'D	DESCRIPTION
1	1	P/N 03623.00, 1/2" Vac. Brkr Repair Kit - WATTS
2	1	P/N 03624.00, 1/2" Vacuum Breaker - WATTS
3	1	P/N 00721.00, 1/2" Jamb Nut
4	1	P/N 03614.00, 1/2" Brass (Close) Nipple
5	1	P/N 00748.00, 1/2" Shrub Head
6	1	P/N 04605.00, L-1X "U" Tube
7	1	P/N 00715.00, Ball Check Valve
8	1	P/N 00798.00, SS Braided Hose
9	1	P/N 00214.50, 1/2" Comp x 3/8" MIP FTG
10	1	P/N 00738.10, Water Solenoid Coil J/E
11	1	P/N 00707.00, 1/2" Water Solenoid Repair Kit J/E
12	1	P/N 03603.10, 1/2" Water Solenoid Valve J/E
13	1	P/N 00745.00, 1/2" 90 Degree Street Elbow
14	6	P/N 00760.00, 5/8" Comp. x 1/2" MIP Adapter

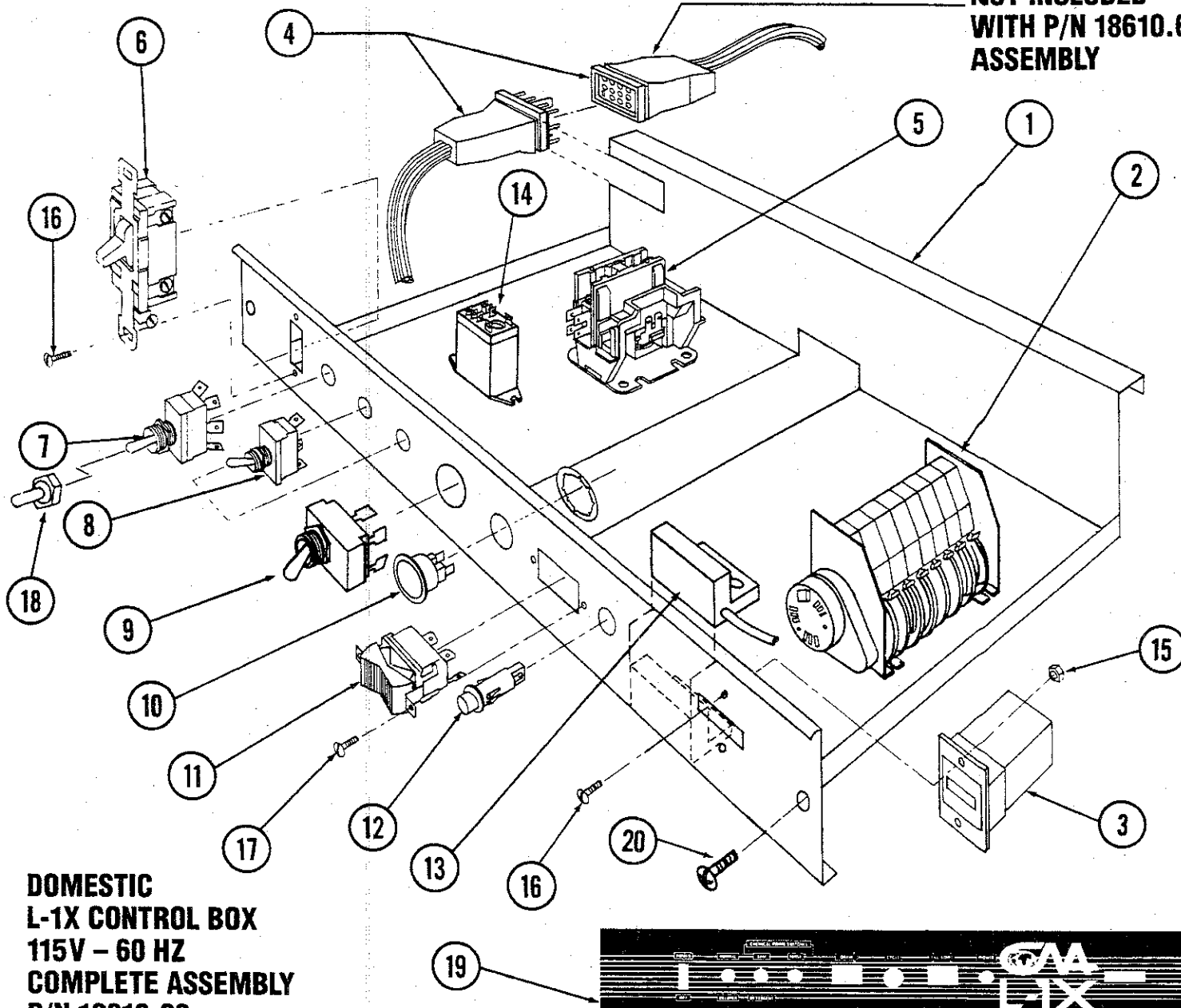
ITEM NO.	NO. REQ'D	DESCRIPTION
15	1	P/N 04606.00, L-1X "L" Tube
16	1	P/N 00915.00, 1/4" - 20 Hex Nut
17	1	P/N 00924.00, 1/4" Stainless Steel Washer
18	1	P/N 00725.50, 1/2" Plumbing Strap
19	1	P/N 00747.10, Nipple Brass 1/2" x 5"
20	1	P/N 03602.50, 1/2" Y Strainer - Optional
21	1	P/N 03600.00, 1/2" Gate Valve
22	1	P/N 00739.50, Vacuum Breaker Cap SS
23	1	P/N 03624.25, Vacuum Breaker Bonnet Bras
24	1	P/N 00743.10, 1/2" Tee FxFxF
25	1	P/N 00742.00, Nipple Brass 1/2" x 1-1/2" - Optional
26	1	P/N 00744.00, Nipple Brass 1/2" x 2" - Optional
27	-	P/N 03603.20, 1/2" Water Solenoid Bonnet
28	-	P/N 00786.00, Water Solenoid Valve Plunger
29	-	P/N 00706.10, Plunger Spring Only



ITEM NO.	NO. REQ'D	DESCRIPTION
1	2	P/N 04105.00, Pump Hose 3.7"
2	8	P/N 03101.00, 1" Hose Clamp #16
3	1	P/N 04103.00, L-1X Drain Valve (Depend-O-Drain)
4	1	P/N 03108.51, 1" Goose Neck Drain Hose
5	1	P/N 04104.00, Drain Hose 4.0"
6	1	P/N 00915.00, 1/4" - 20 Hex Nut
7	1	P/N 13304.52, Short Support Bracket
8	1	P/N 04106.00, 1" 90 Degree Barb x Barb Elbow
9	1	P/N 04110.00, L-1X Drain Screen SS
10	1	P/N 50302.06, 1" MIP x 1" Barb PVC

L-1X CONTROL BOX

**NOT INCLUDED
WITH P/N 18610.62
ASSEMBLY**



**DOMESTIC
L-1X CONTROL BOX
115V - 60 HZ
COMPLETE ASSEMBLY
P/N 18610.62**

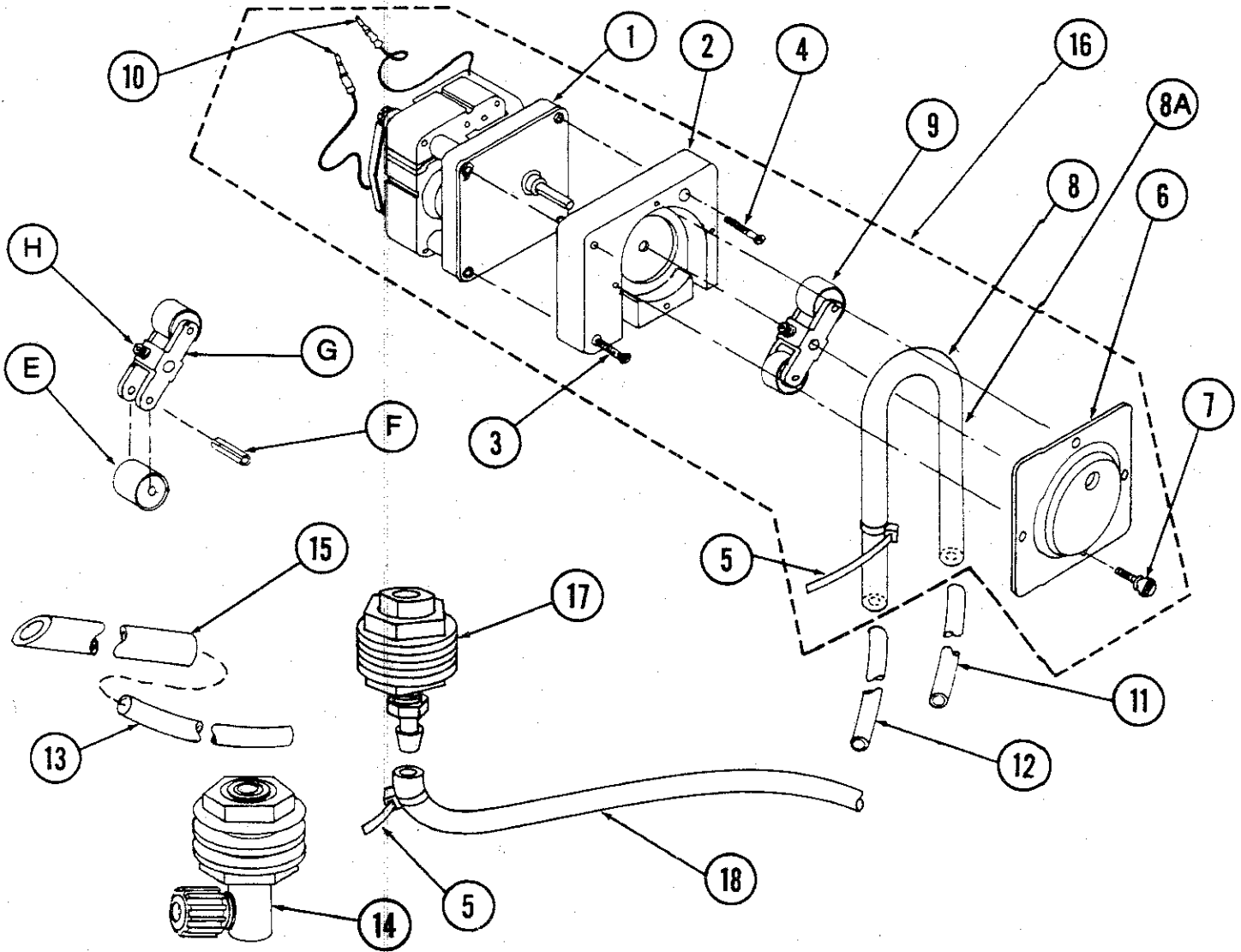


ITEM NO.	NO. REQ'D	DESCRIPTION
1	1	P/N 04904.82, L-1X Top Drawer
2	1	P/N 00408.80, Timer 2 Minute 8 Cam
3	1	P/N 03408.50, Counter (Panel Mount - Small)
4	1	P/N 04414.10, Wiring Harness (L-1X)
5	1	P/N 00404.82, Contactor Relay
6	1	P/N 00433.10, Master Switch
7	1	P/N 00475.30, Toggle Switch DPDT 16 Amp Two Postions
8	2	P/N 03470.00, Toggle Switch (Momentary)
9	1	P/N 003406.62, Drain Toggle Switch DPST
10	1	P/N 00476.00, Running Light 120V (1" D) Green

ITEM NO.	NO. REQ'D	DESCRIPTION
11	1	P/N 00421.50, Start/Fill Switch
12	1	P/N 00406.00, Control Box Light Red
13	1	P/N 00557.55, Magnetic Reed Switch (NEW)
14	1	P/N 00631.00, Ice Cube Relay*
15	2	P/N 00917.00, 8 - 32 PM Nut
16	4	P/N 00911.00, 8 - 32 x 1/2 Pan Head Screw
17	4	P/N 00421.51, 6 - 32 x 1/4 SS Pan Head Screw
18	4	P/N 00470.10, Rubber Boot
19	1	P/N 06231.00, L-1X Drawer Label
20	2	P/N 00940.50, 10 - 32 x 3/8" Truss Head Screw

*Optional (Included with Heater Kit)

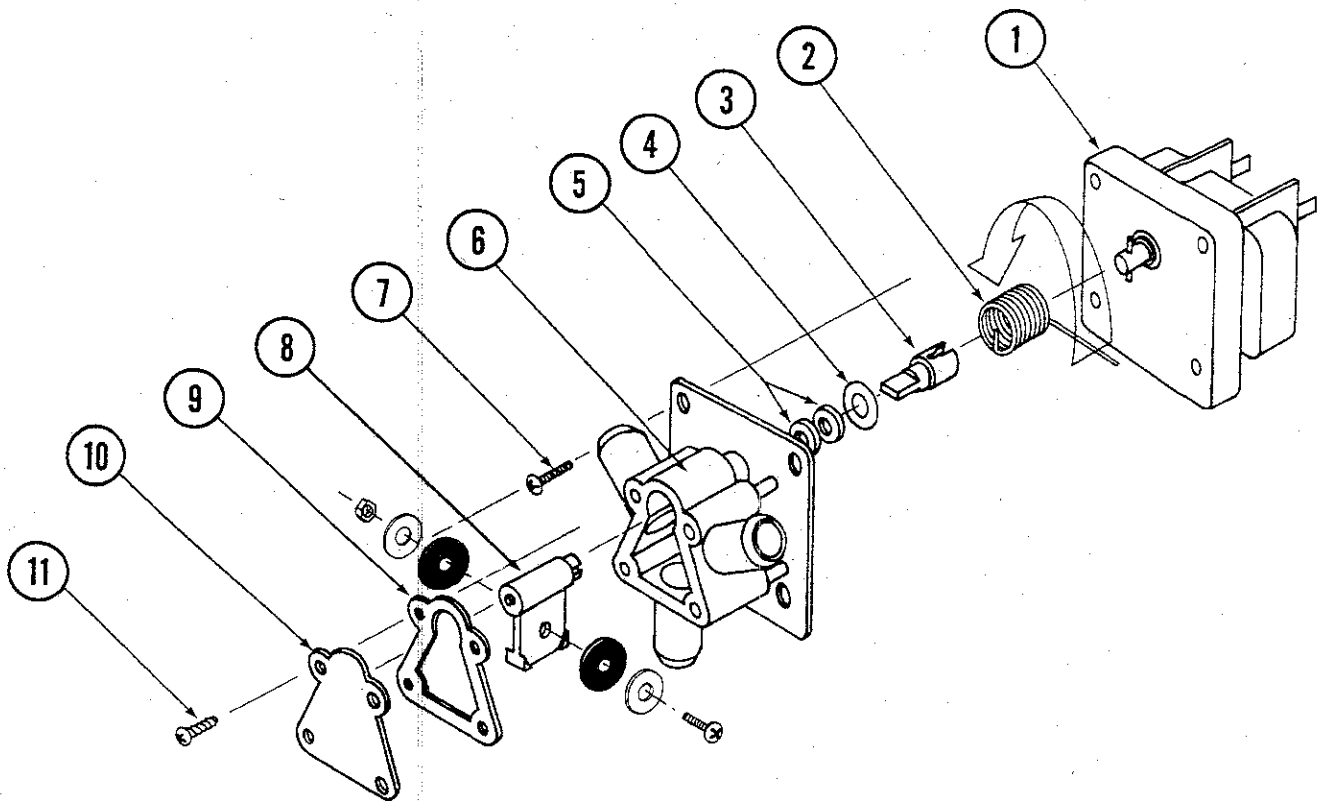
PERISTALTIC PUMP ASSEMBLY



ITEM NO.	NO. REQ'D	DESCRIPTION
1	3	P/N 00416.00, Peristaltic Pump Motor
2	3	P/N 00417.00, Peristaltic Pump Block
3	6	P/N 00919.00, 10 - 32x1-1/2" Pan Head Screw
4	3	P/N 00918.00, 10 - 32x1-1/2" Fillister HD Screw
5	6	P/N 00932.00, Twist Tye - Large
6	3	P/N 00418.00, Peristaltic Pump Block Cover
7	12	P/N 00911.00, 8 - 32x1/2" Pan Head Screw
8	2	P/N 00435.00, Squeeze Tube (Clear)
8A	1	P/N 00458.00, Squeeze Tube - Black Detergent
9	3	P/N 00419.00, Peristaltic Rotor Assembly
E	6	P/N 00423.00, Rotor Bearing
F	6	P/N 00422.00, Rotor Bearing Pin

ITEM NO.	NO. REQ'D	DESCRIPTION
G	3	P/N 00424.00, Rotor Bearing Carriage
H	3	P/N 00935.00, 1/4" - 20 x 1/4" Allen Screw
10	6	P/N 00448.00, Barrel Connector (Male)
11	AR	P/N 00425.51, Chemical Tubing (Blue)
12	AR	P/N 00425.53, Chemical Tubing (Red)
13	AR	P/N 00425.54, Chemical Tubing (White)
14	2	P/N 03415.00, Chemical Tube Bulkhead
15	2	P/N 00443.00, Tube Stiffener
16	1	P/N 00415.00, Complete Peristaltic Pump*
17	1	P/N 03415.10, Bulk Head For Sanitizer
18	1	P/N 00435.62, 24" Squeeze Tube

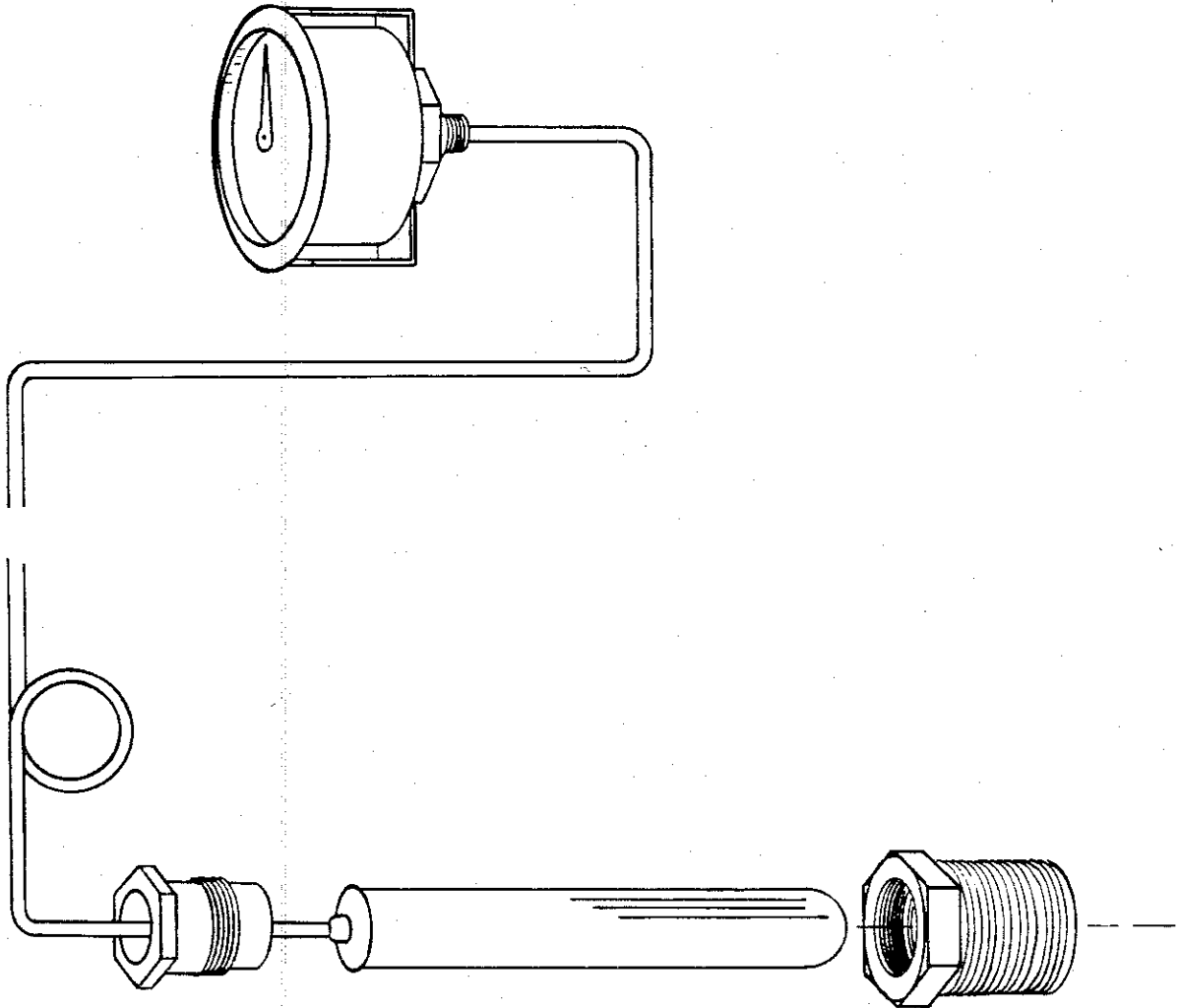
* Includes 1-4, 6-10.



ITEM NO.	NO. REQ'D	DESCRIPTION
1	1	P/N 04103.21, L-1X Drain Motor 115V, 60Hz
2	1	P/N 04103.14, L-1X Drain Valve Spring
3	1	P/N 04103.20, L-1X Drain Valve Drive Pin
4	1	P/N 04103.19, L-1X Drain Valve Washer (Thin)
5	2	P/N 04103.17, L-1X Drain Seal Washer
6	1	P/N 04103.12, L-1X Drain Valve Housing
7	4	P/N 00941.00, #10-32x5/8" Pan Head Screw
8	1	P/N 04103.16, L-1X Hinge/Seal
9	1	P/N 04103.15, L-1X Drain Housing Gasket
10	1	P/N 04103.13, L-1X Drain Valve Housing Cover
11	4	P/N 04103.18, L-1X #8x5/8" Self Threading Screw

**L-1X DRAIN VALVE
REPAIR INSTRUCTIONS**
P/N 04103.00 Depend-O-Drain

- Turn the main power switch to "OFF" position.
- Remove the orange and white leads to the valve motor.
- Remove the valve assembly by loosening three hose clamps closest to the valve body. (Drain goose neck bracket may have to be removed.)
- To replace broken valve spring or bad drain hinge/seal, the valve should be disassembled as shown above.
- Replace the defective part(s) and set up the assembly as shown.
- Hold the hinge/seal (8), valve housing (6), seal washer (5), thin washer (4), drive pin (3), and valve spring (2) together in the shown sequence and make sure the hinge/seal fits all the way inside the valve housing with the drive pin narrow tip inside the hinge/seal slot and the spring's upper tip inside the drive pin gap.
- Turn the motor shaft pin to match the drive pin gap. Push the whole assembly down until the motor shaft pin is inside the drive pin gap. Housing plate and motor mounting plate screw holes must match. (Valve spring tail **must** be at shown position.) Holding the assembly at this position, turn the spring tail approximately 160° counter-clockwise and lift the housing plate just enough to pass the spring tail under the two bossed points on the housing plate.
- Install the four pan head screws (7) and secure the housing to the motor.
- Install housing gasket and cover plate and secure with self-threading screws (11).
- Install the valve on the machine and test it for proper function.



"All food dispensing establishments using chlorine or other approved chemical sanitizers shall, at all times, maintain an adequate testing device."

"Dishes and other eating and drinking utensils to be washed in a dishwashing machine shall be properly scraped and pre-rinsed and shall be stacked in racks or trays so as to avoid overcrowding, and so as to permit the wash and rinse waters to reach all surfaces of each utensil."

"In machine washing, multi-use eating and drinking utensils shall be washed in water containing a suitable detergent at a temperature from 120 degrees F. to 140 degrees F. or other method approved by the Department of Health."

"The water in the wash tank shall be changed during operation as often as is necessary to keep it reasonably clean. An effective concentration of detergent in the wash water shall be maintained at all times."

"Bactericidal treatment shall consist of exposure of all surfaces of dishes and utensils being washed to a rinse of clean water, at a temperature of not less than 180 degrees F. or other method approved by the Department of Health."

"All dishwashing machines shall maintain a flow pressure not less than 15 or more than 25 pounds per square inch on the fresh water line at the machine and not less than 10 pounds per square inch at the rinse nozzles. A suitable gauge cock shall be provided immediately upstream from the final rinse sprays to permit checking the flow of the final rinse water. An easily readable thermometer accurate to ± 2 degrees F. shall be provided on both the wash and rinse water lines of the dishwashing machine which will indicate the temperature of the water solution therein."

"Dishwashing machines shall be thoroughly cleaned at least once each day. The pumps and the wash and rinse sprays or jets shall be so designed that a forceful stream of water will reach all surfaces of the utensils when they are properly racked. These parts shall be thoroughly cleaned at least once each day. The pumps and the wash and rinse sprays or jet shall be so designed that a forceful stream of water will reach all surfaces of the utensils when they are properly racked. These parts shall be readily accessible for inspection and cleaning."

"After bactericidal treatment, utensils and containers shall be stored at a sufficient height above the floor in a clean, dry place, protected from flies, splash, dust, overhead leakage and condensation, and other contamination. Containers and utensils shall be inverted, covered, or otherwise protected from contamination until used for serving."

Drain racks, trays, and shelves shall be made of non-corrodible material and shall be kept clean.

In handling containers and utensils the surfaces thereof which come in contact with food or drink shall not be touched by the hands, except during the process of washing.

Tables for clean and dirty dishes and food shall be so arranged that the dirty dishes will be as far removed from the food and clean dishes as may be possible.

All single-service articles and utensils shall be purchased in sanitary cartons and stored therein in a clean, dry place until used, and after removal from the cartons, these articles shall be handled in such a manner as to prevent contamination.

Please note the following procedures must be followed for City of Chicago Approval:

- 1. All low energy models must have low level sani alarms, both visual and audio.**
- 2. All models must have a City of Chicago approval data label affixed to the machine.**
- 3. Chlorine sanitizer must be a minimum of 100 PPM.**