

CMA

Dishmachines

Omega

AH/C

SMASH LOWBALL COMPETITION!

Chemical Methods Associates, Inc. proudly introduces the "OMEGA" . . . the newest generation of top-quality low energy dishmachines made by CMA.

WHY "OMEGA"? CMA recognizes the increasing nuisance of low ball competitors offering "no name" dishwashers to existing and prospective customers being serviced by quality CMA Distributors and Dealers.

The OMEGA line now gives you the "horsepower" you need to provide a premium quality dishmachine to your customers that is priced "head to head" with **any low-price challenger**.

CMA QUALITY IN EACH OMEGA CMA "down-sized" the control box and simplified some components in order to make the OMEGA lower priced. However, all parts are interchangeable with our existing line and each OMEGA carries the NSF, UL and CSA seals of approval.

No compromise has been made in quality . . . a promise others can't make!

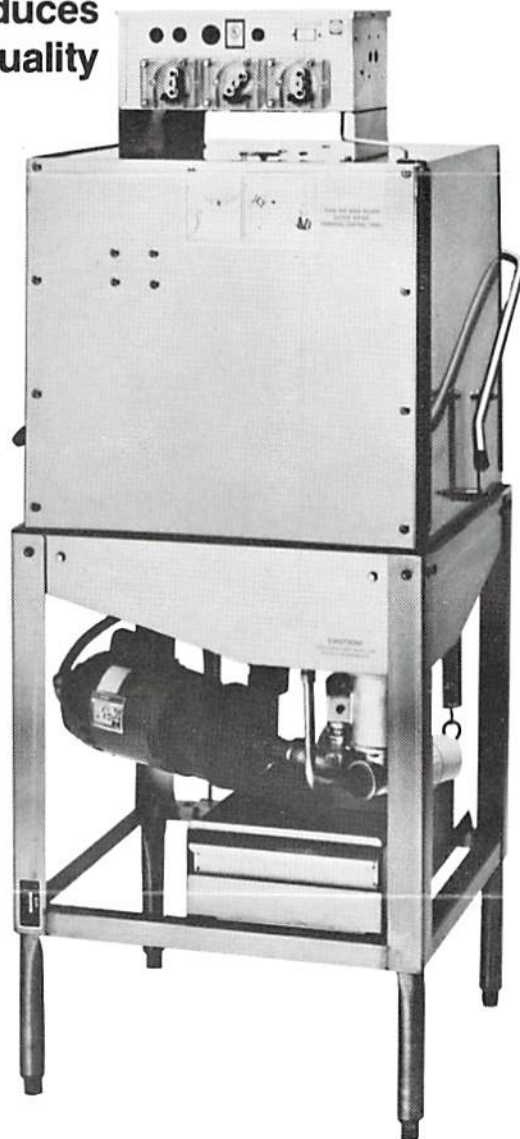
OMEGA PRICES ARE LOWER! The best news is that the CMA Distributor and Dealer net prices on the OMEGA line . . . the AH/C (inline or convertible), the B (44" double rack) and the L (undercounter) are **absolutely lower** than those published by the challengers.

When comparing, consider these OMEGA features:

- All stainless steel (304 series) construction
- Switchless pump motors (rated for more than 3 million starts)
- Precision spray arm bearings
- Stainless steel castings
- 17 psi spray pressure
- Inline/corner convertible (single rack only)
- Full one year parts warranty

FREE FREIGHT, WHETHER YOU ORDER "ONE OR A HUNDRED"

For your **lowest** price on OMEGA, call your CMA Regional Sales Manager or Ed Roeser, Vice President/Sales & Marketing at (800) 854-6417 (in California: (714) 898-8781) and eliminate the "No Name" pests in your area!



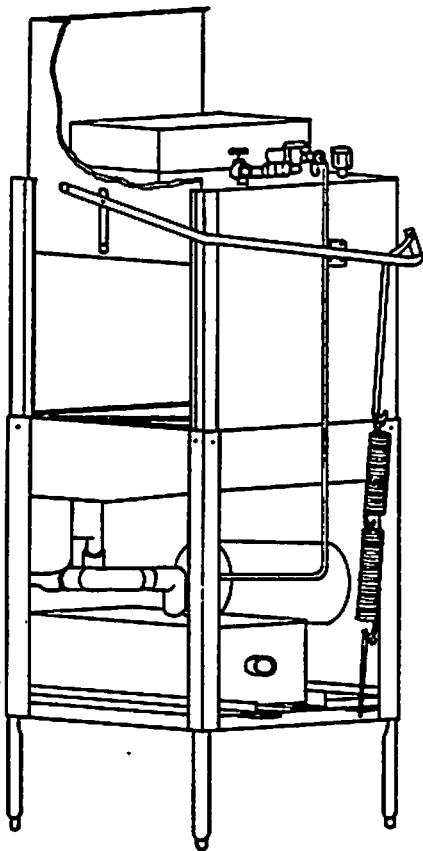
CHEMICAL METHODS ASSOCIATES, INC.

12700 Knott Avenue, Garden Grove, California 92641

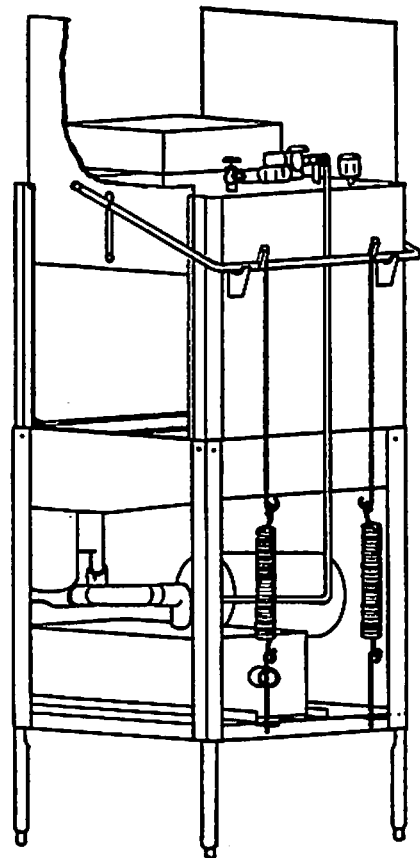
Ph. #714/898-8781 213/598-0901 1-800-854-6417 TWX: 910-596-2371

**A message from GMA
to her nationwide network of
"Full Service" Distributors
and Dealers.**

MODELS CONVERTIBLE AH&C DISHMACHINE



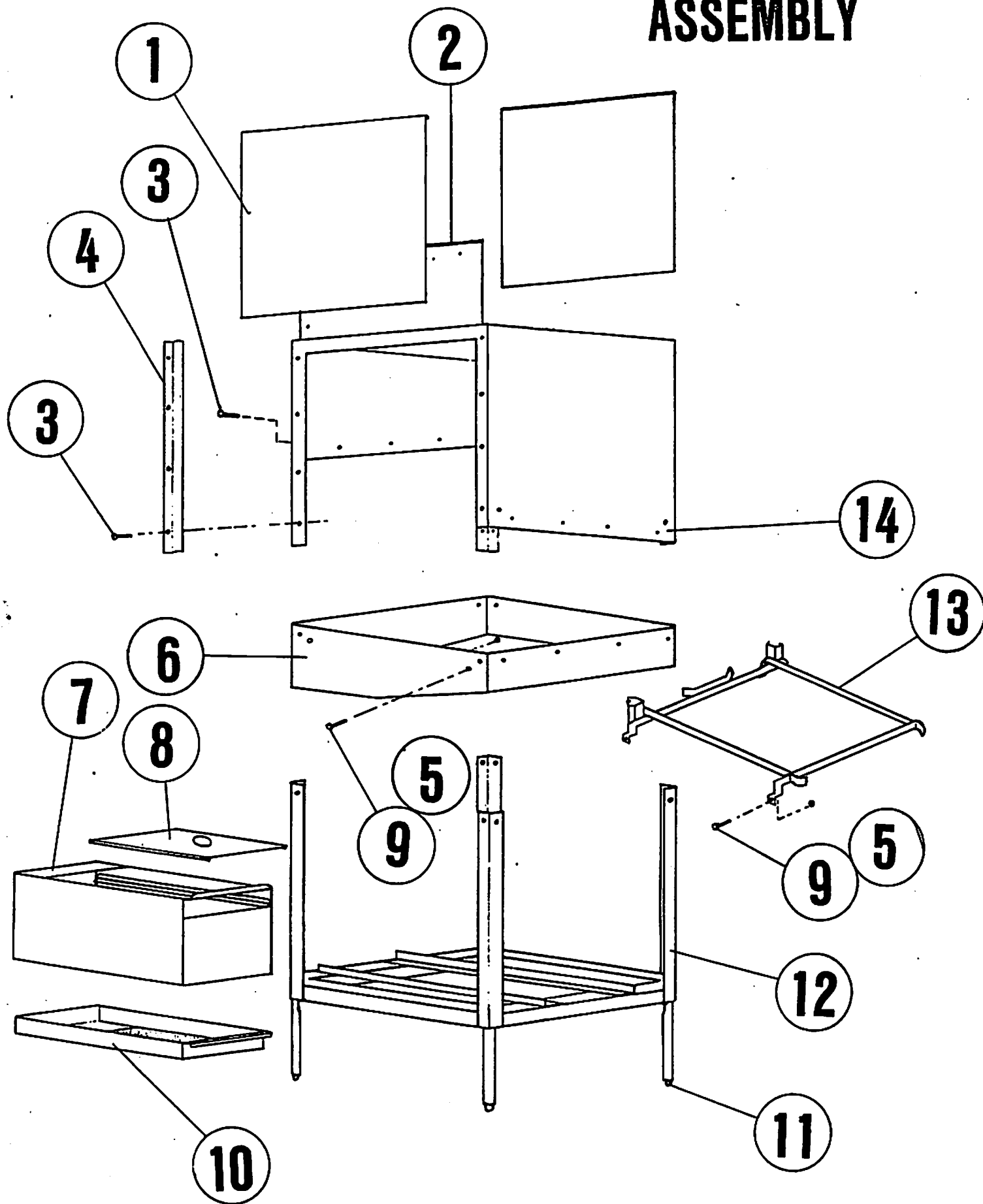
CONVERTIBLE C



CONVERTIBLE AH

PARTS MANUAL

CABINET SYSTEM ASSEMBLY



CONVERTIBLE AH

CABINET SYSTEM

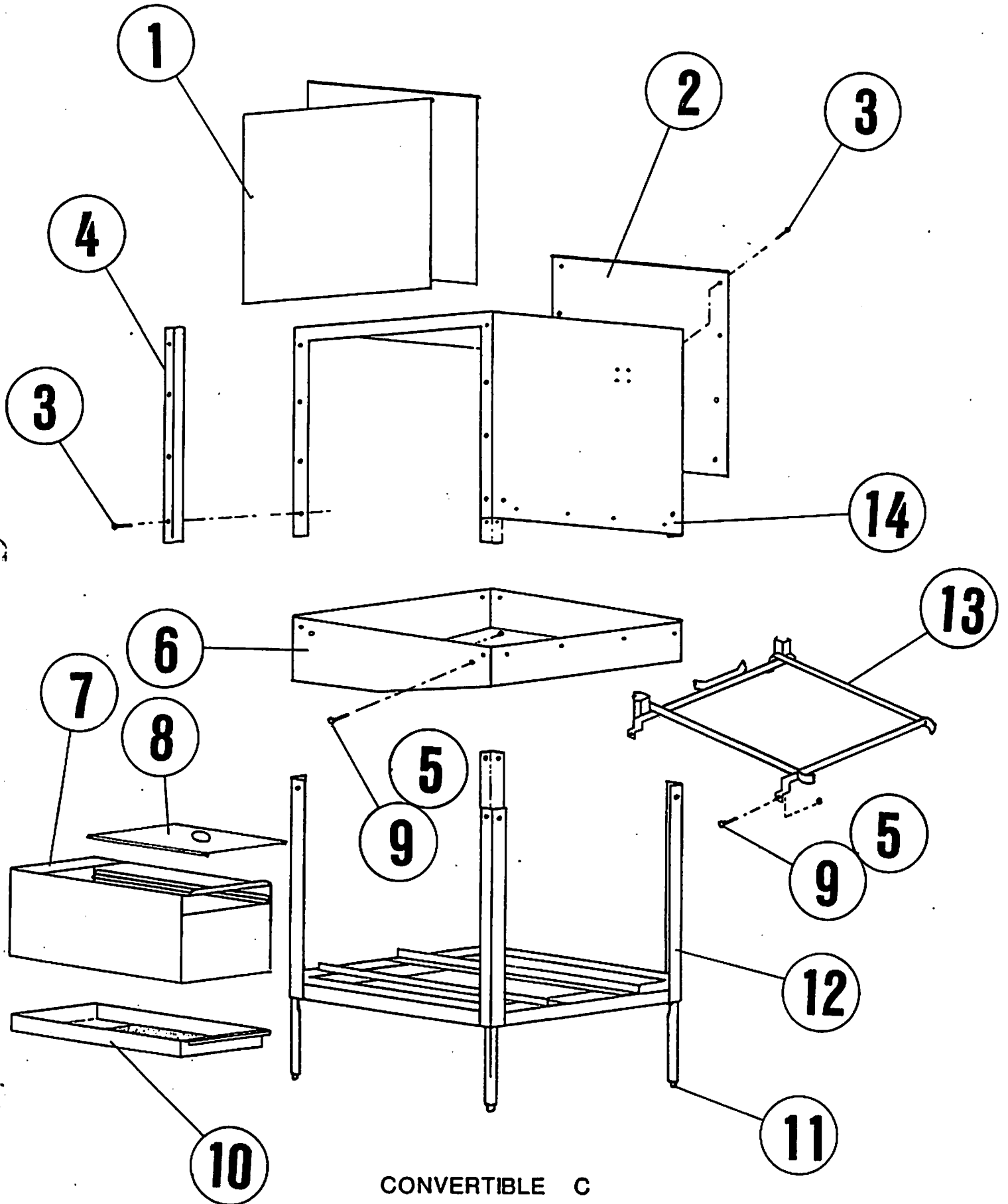
ASSEMBLY

CONVERTIBLE AH&C

CHEMICAL METHODS ASSOCIATES

Ref. No.	No. Req,d	Description
1	2	P/N 01506.00 Door
2	1	01506.40 Door Panel
3	24	00905.00 1/4-20X1/2" Trusshead Blt.
4	4	01554.00 Door Guide
5	16	00912.00 1/4"-20 Nylon Lock Nut
6	1	01501.42 Pan
7	1	01579.10 Scrap Trap
8	1	01579.30 Scrap Trap Lid
9	16	00914.00 1/4"-20x3/4" Hex Head Bolt
10	1	01579.20 Scrap Trap Drawer
11	4	01310.00 Bullet Foot
12	1	01502.42 Stand
13	1	01505.42 Tray Track
14	1	01500.42 Wrapper

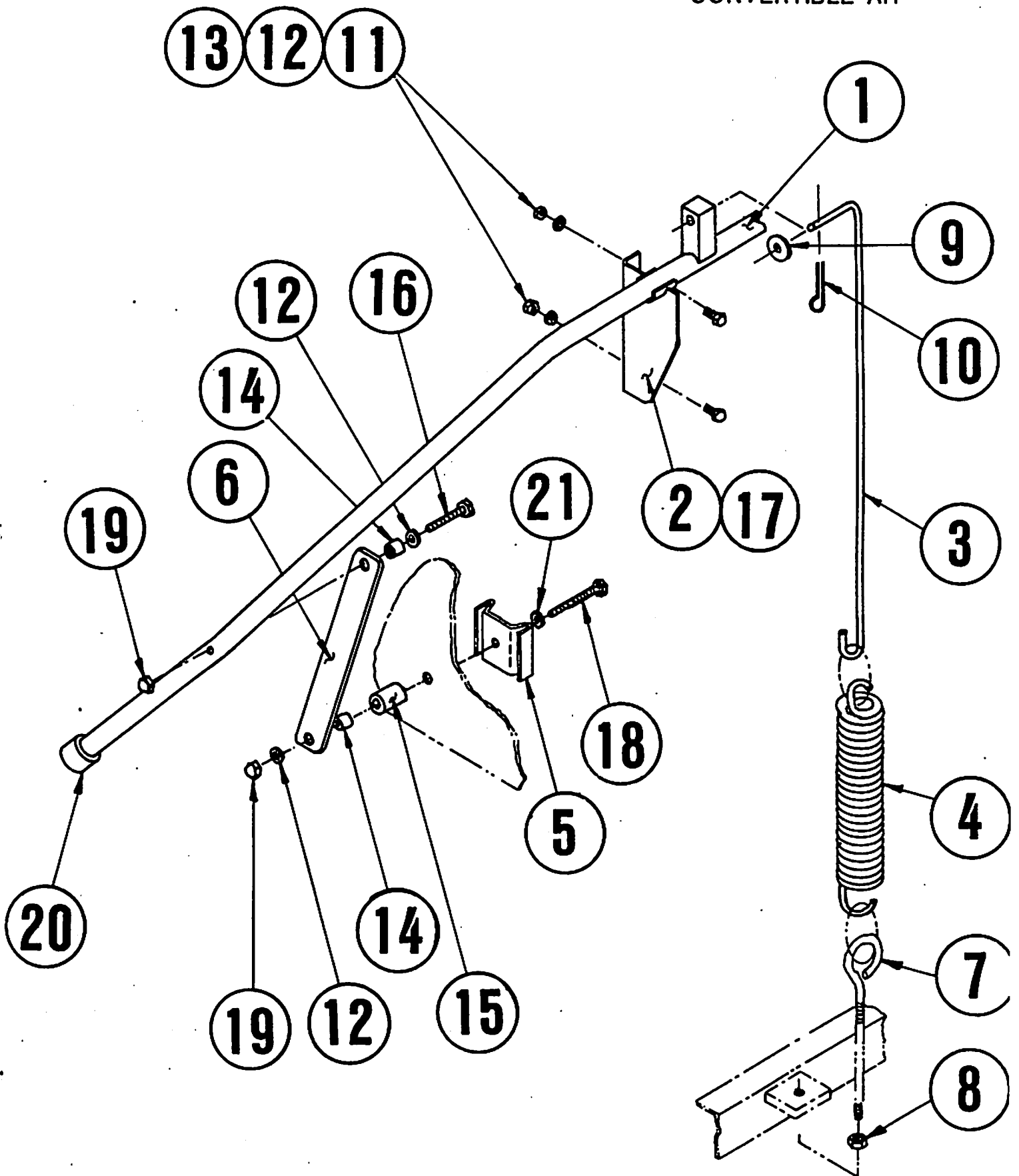
CABINET SYSTEM ASSEMBLY



CONVERTIBLE C

DOOR ACTUATOR ASSEMBLY

CONVERTIBLE AH



DOOR ACTUATOR
ASSEMBLY

CHEMICAL METHODS ASSOCIATES

ITEM NO.	NO. REQ'D	DESCRIPTION
1	1	P/N 00613.03 Door Handle
2	1	P/N 01556.00, Right Door Handle Support
3	2	P/N 00603.07, Door Spring Extension Rod
4	2	P/N 00602.00, Door Spring
5	2	P/N 01552.00, Door Stop
6	2	P/N 01553.00, Door Handle Link
7	2	P/N 00606.00, 5/16-18 x 7" Eyebolt
8	2	P/N 00913.00, 5/16-18 Nut
9	2	P/N 00926.00, 5/16 ss Washer
10	2	P/N 00900.00, Cotter Pin
11	4	P/N 00906.00, 1/4-20 x 1/2" Hex Head Bolt
12	6	P/N 00924.00, 1/4" ss Washer
13	8	P/N 00912.00, 1/4-20 Nylon Insert Lock Nut
14	4	P/N 00610.00, Door Handle Spacer (small)
15	2	P/N 00611.00, Door Handle Spacer (large)
16	2	P/N 00903.00, 1/4-20 x 1-3/4" Hex Head Bolt
17	1	P/N 01555.00, Left Door Handle Support
18	2	P/N 00904.00, 1/4-20 x 2" Hex Head Bolt
19	2	P/N 00607.07, Door Handle Cap
20	6	P/N 00923.00, 1/4" Brass Washer

DOOR ACTUATOR
ASSEMBLY

CHEMICAL METHODS ASSOCIATES

ITEM NO.	NO. REQ'D	DESCRIPTION
1	1	P/N 00613.04 Door Handle
2	1	P/N 00619.34 Dr. Hdl. Mtng. Plate - Long
2A	1	P/N 00619.44 Dr. Hdl. Mtng. Plate - Short
3	1	P/N 00603.04, Door Spring Extension Rod
4	2	P/N 00602.00, Door Spring
5	2	P/N 01552.00, Door Stop
6	2	P/N 01553.00, Door Handle Link
7	1	P/N 00606.00, 5/16-18 x 7" Eyebolt
8	9	P/N 00913.00, 5/16-18 Nut
9	1	P/N 00926.00, 5/16 ss Washer
10	1	P/N 00900.00, Cotter Pin
11	2	P/N 00923.00 1/4" Brass Washer
12	6	P/N 00924.00, 1/4" ss Washer
13	4	P/N 00912.00, 1/4-20 Nylon Insert Lock Nut
14	4	P/N 00610.00, Door Handle Spacer (small)
15	2	P/N 00611.00, Door Handle Spacer (large)
16	2	P/N 00903.00, 1/4-20 x 1-3/4" Hex Head Bolt
18	2	P/N 00904.00, 1/4-20 x 2" Hex Head Bolt
19	2	P/N 00607.07, Door Handle Cap
20	8	P/N 00920.00 5/16"-18 x 3/4 Hex Head Bolt
21	8	P/N 00925.00 5/16" Brass Washer

CHEMICAL METHODS ASSOCIATES

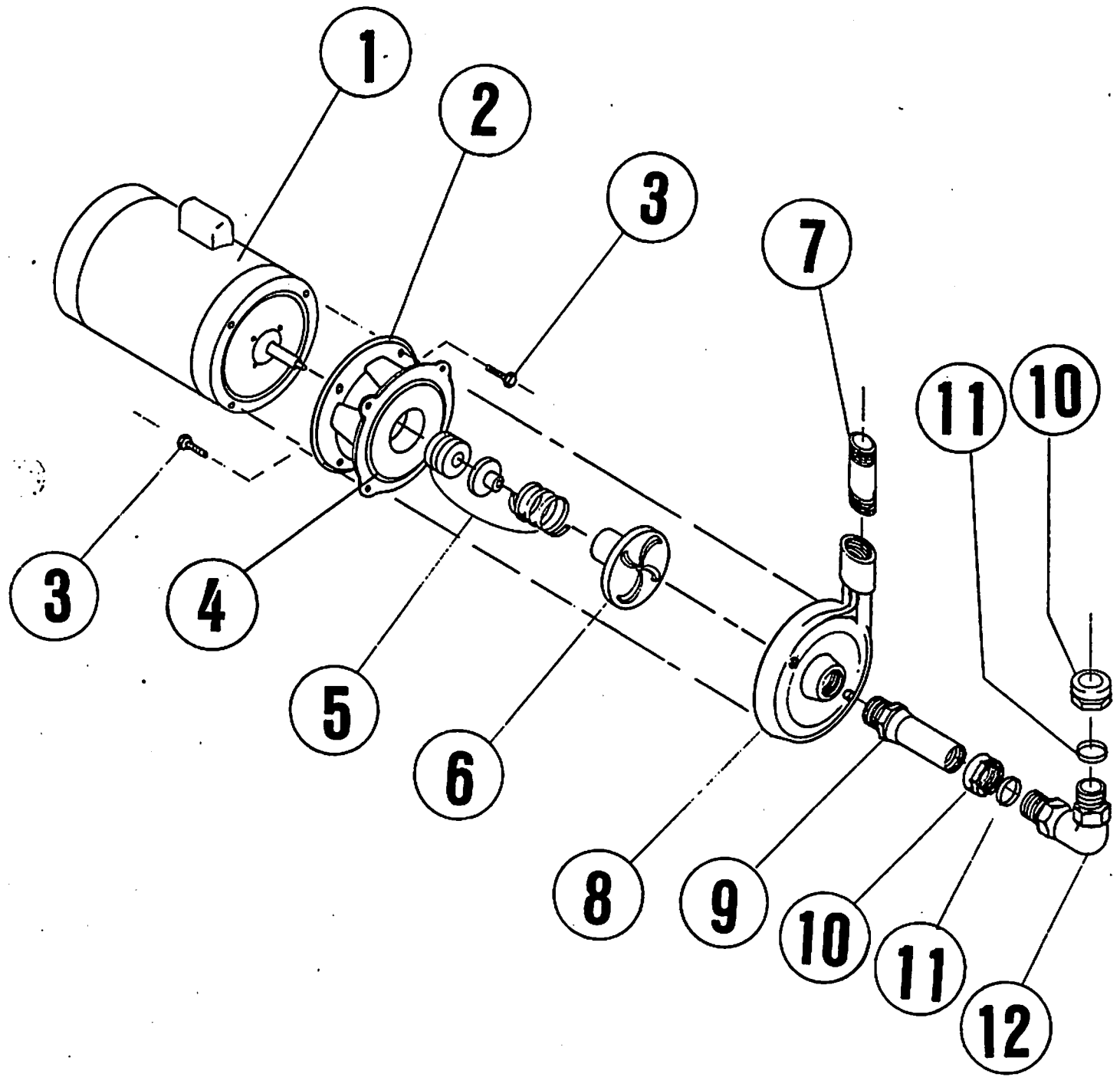
MIXING CHAMBER

CONVERTIBLE AH & C

Ref. No.	No. Req,d	Description
1	3	P/N 03415.50 1/4" Chemical Tube Bulkhead
2	1	00801.00 Chemical Chamber body
3	1	00752.00 Antifoam Valve Diaphragm
4	1	00721.00 1/2" Jamb Nut
5	1	13629.50 1/2"x1 1/2" Nipple
6	1	13628.50 1/2" 90 Deg. Elbow PVC

PUMP SYSTEM ASSEMBLY

CONVERTIBLE AH&C



CHEMICAL METHODS ASSOCIATES

PUMP SYSTEM

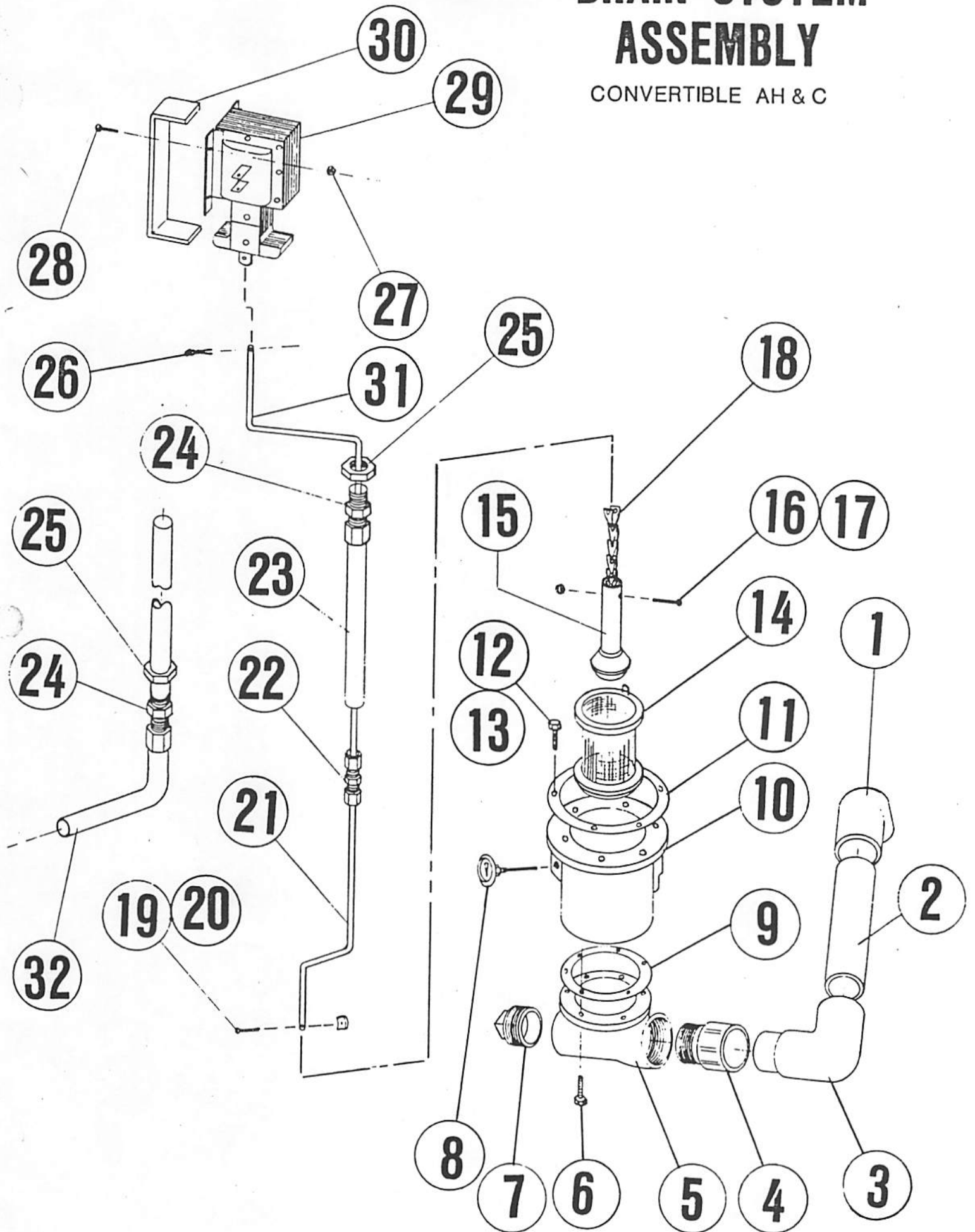
ASSEMBLY

CONVERTIBLE AH & C

Ref. No.	No. Req,d	Description
1	1	P/N 00201.00 Pump Motor 1HP
2	1	03224.00 Water Pump Base
3	8	00921.00 3/8"-16x3/4" Hex Head Bolt
4	1	03226.00 Pump "O" Ring Gasket
5	1	00206.00 Pump Seal Kit
6	1	03222.00 impeller 3.5" (Nondomestic)
7	1	00759.54 1"x3 1/2" Stainless Steel Nipple
8	1	03223.00 Pump Cover
9	1	00240.42 Pump Suction Tube
10	2	00207.00 Slip Joint Nut
11	2	00208.00 Slip Joint Nut Gasket
12	1	00765.00 Pump inlet Elbow

DRAIN SYSTEM ASSEMBLY

CONVERTIBLE AH & C



CHEMICAL METHODS ASSOCIATES

DRAIN SYSTEM ASSEMBLY

CONVERTIBLE AH & C

Ref. No.	No. Req,d	Description
1	1	P/N 01311.00 2' 90 Deg. Slip X Slip Elbow PVC
2	1	05030.00 2' X7' SCH40 Tubing PVC
3	1	01312.00 2' 90 Deg. Slip X Spig PVC
4	1	01313.00 2' Slip X MIPT Adapter
5	1	00113.50 Drain Tee
6	6	00920.00 5/16"-18X3/4" Hex Bolt
7	1	00130.00 1 1/2" Drain Tee Plug PVC
8	1	00120.00 Thermometer
9	1	00114.00 Drain Tee Gasket
10	1	00111.06 Drain Sump
11	1	00112.06 Drain Sump Gasket
12	6	00906.00 1/4"-20X1/2" Hex Head Bolt
13	6	00923.00 1/4" Brass Washer
14	1	00115.06 Drain Screen Assy.
15	1	00121.42 Drain Ball Short
16	1	00927.00 8-32 Nylon Lock Nut
17	1	00902.00 8-32X1 1/4" Pan Head Bolt
18	1	00110.42 Chain (5 Links)
19	1	00907.00 6-32X1/2" Pan Head Screw
20	1	00916.00 6-32 Nut
21	1	00161.00 Bottom Solenoid Linkage
22	1	00761.52 1/4" Comp.X Comp. Coupling
23	1	05007.00 5/8" O.D. 8" S/S Tubing
24	1	00760.00 5/8" Comp.X1/2" MIP Adapter

-CONT.-

CHEMICAL METHODS ASSOCIATES

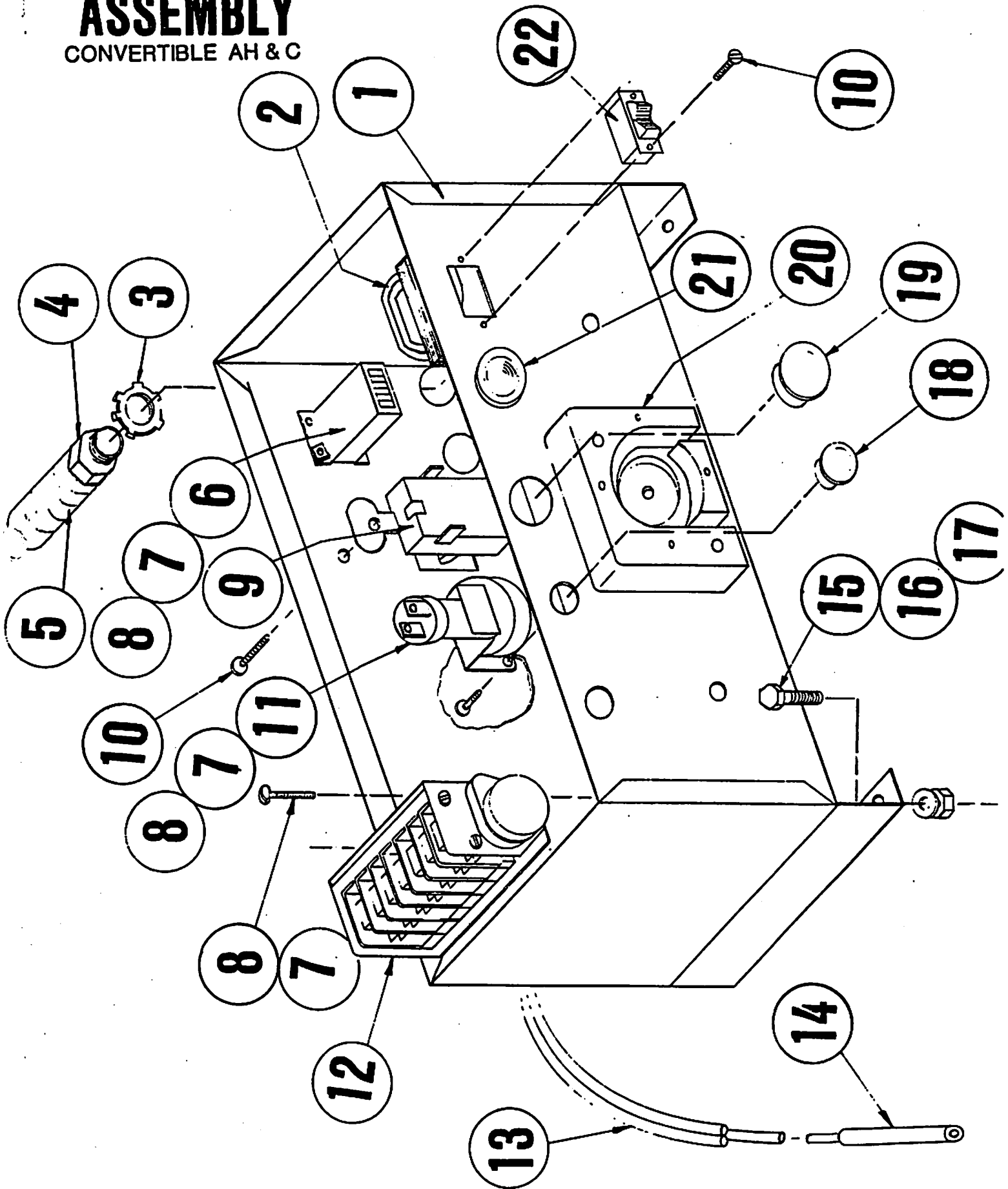
DRAIN SYSTEM ASSEMBLY

CONVERTIBLE AH & C

Ref. No.	No. Req,d	Description
25	2	P/N 00721.00 1/2" Jamb Nut
26	1	00900.00 Cotter Pin
27	2	00927.00 8-32 Nylon Lock Nut
28	2	00911.00 8-32 X1/2" Pan Head Bolt
29	1	00100.00 Drain Solenoid
30	1	01550.00 Solenoid Stop
31	1	00160.00 Top Solenoid Linkage
32	1	00162.00 Overflow Tube

CONTROL BOX ASSEMBLY

CONVERTIBLE AH & C



CHEMICAL METHODS ASSOCIATES

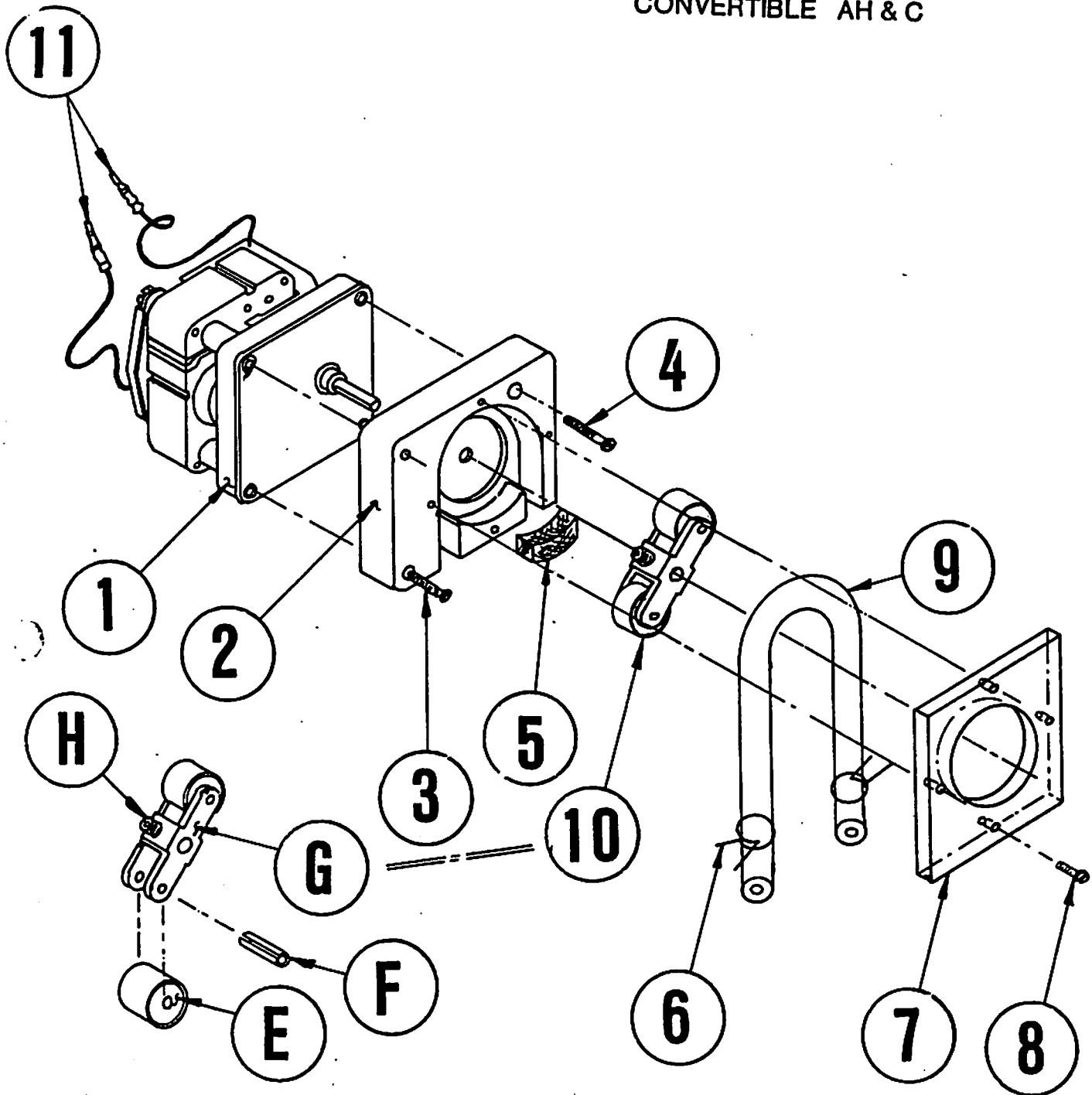
CONTROL BOX ASSEMBLY

CONVERTIBLE AH & C

Ref. No.	No. Req,d	Description
1	1	P/N 01503.42 Control Box
2	1	00100.00 Drain Solenoid
3	2	00403.00 Tiger Grip Nut
4	2	00401.00 ST-38 Connector
5	AR	00400.00 3/8" Sealtite Conduit
6	1	00413.00 Counter
7	2	00911.00 8-32X1/2" Pan Head Screw
8	2	00917.00 8-32 Nut
9	1	00433.00 Master Switch
10	2	00421.51 6-32X1/4" Pan Head Screw
11	1	00404.00 Mercury Relay
12	1	00407.00 90 Second Timer
13	1	00425.51 Chemical Tubing (Blue)
13	1	00425.53 Chemical Tubing (Red)
13	1	00425.54 Chemical Tubing (White)
14	3	00443.00 Tube Stiffener
15	4	00906.00 1/4"-20X1/2" Hex Head Bolt
16	4	00923.00 1/4" Brass Washer
17	4	00912.00 1/4"-20 Nylon Lock Nut
18	2	00541.00 Small Hole Plug
19	1	00540.00 Large Hole Plug
20	3	00415.00 Peristaltic Pump Assy.
21	1	00476.00 1" Running Light (Green)
22	1	00421.50 Start / Fill Rocker Switch
*	1	01504.42 Control Box Cover
*	1	00449.00 Lock And key

PERISTALTIC PUMP ASSEMBLY

CONVERTIBLE AH & C



CHEMICAL METHODS ASSOCIATES

PERISTALTIC PUMP

ASSEMBLY

CONVERTIBLE AH & C

Ref. No.	No. Req'd	Description
1	1	P/N 13406.10 Peristaltic pump Motor AC(18RPM)
2	1	00417.00 Peristaltic Pump Block
3	2	00919.00 10-32X1 1/2" Pan Head Screw
4	1	00918.00 10-32X1 1/2" Fillister Head Screw
5	1	00420.00 Felt Pad
6	2	00452.00 Spring Clip
7	1	00418.00 Peristaltic Pump Block Cover
8	4	00911.00 8-32X1/2" Pan Head Screw
9	1	00435.00 Squeeze Tube
10	1	00419.00 2 Bearing Rotor Assembly
E	2	00423.00 Rotor Bearing
F	2	00422.00 Rotor Bearing Pin
G	1	00424.00 Rotor Bearing Carriage
H	1	00935.00 1/4"-20X1/4" Socket Set Screw
11	2	00448.00 Barrel Connector (Male)