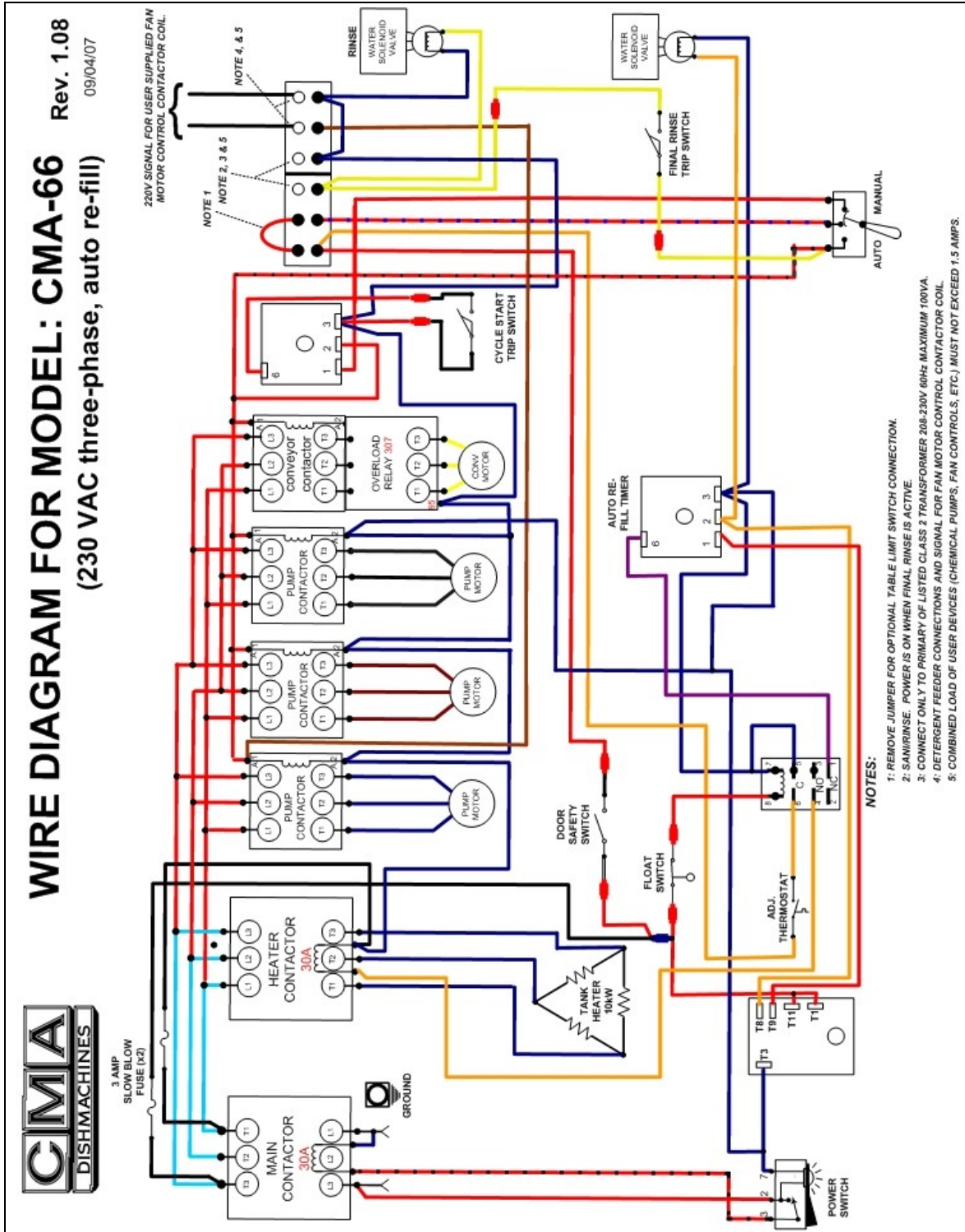
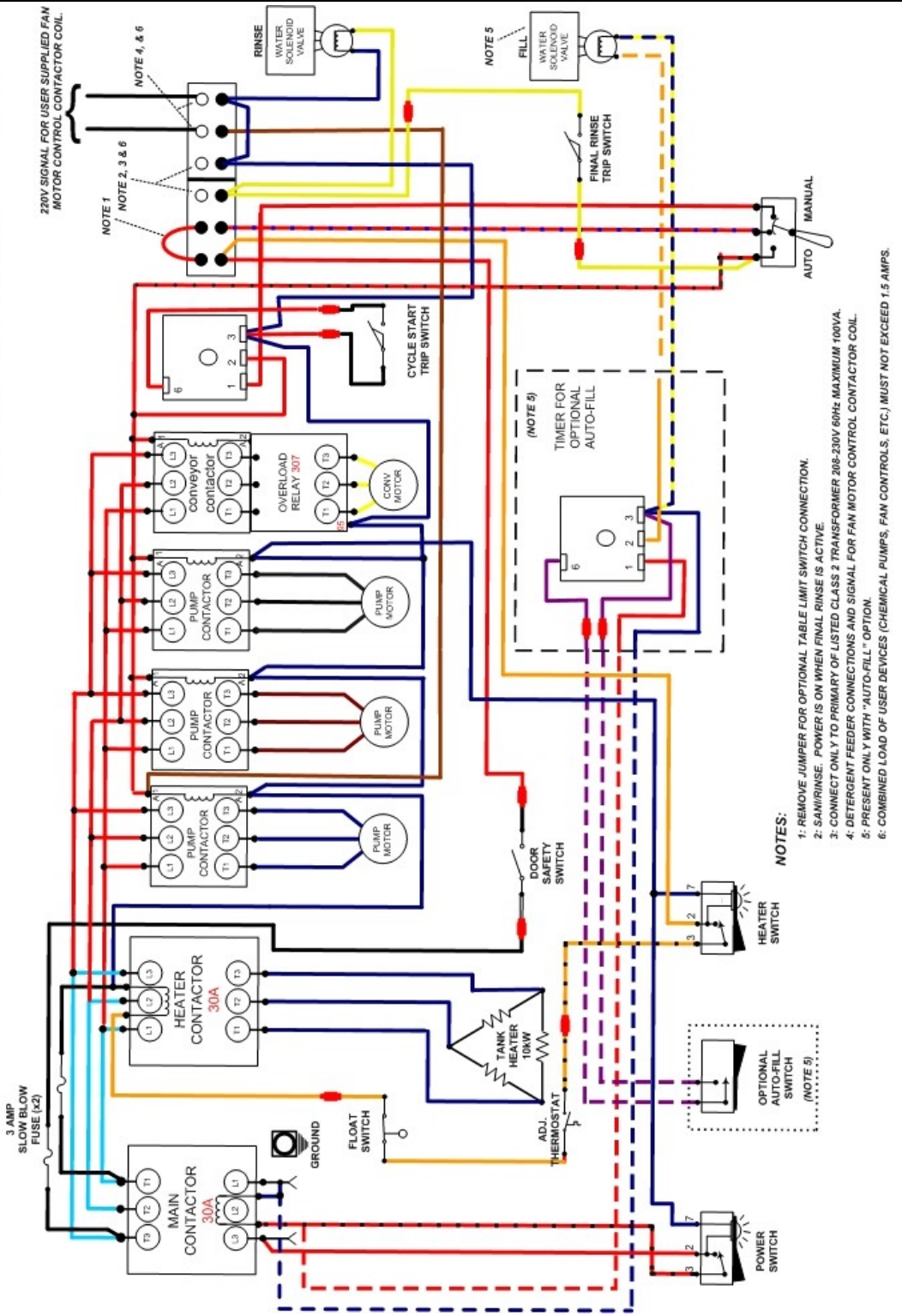


5. Electrical Diagram



WIRE DIAGRAM FOR MODEL: CMA-66 Rev. 1.07

(230 VAC three-phase) 04/26/06



- NOTES:**
- 1: REMOVE JUMPER FOR OPTIONAL TABLE LIMIT SWITCH CONNECTION.
 - 2: SAINRINSE. POWER IS ON WHEN FINAL RINSE IS ACTIVE.
 - 3: CONNECT ONLY TO PRIMARY OF LISTED CLASS 2 TRANSFORMER 208-230V 60HZ MAXIMUM 100VA
 - 4: DETERGENT FEEDER CONNECTIONS AND SIGNAL FOR FAN MOTOR CONTROL CONTACTOR COIL.
 - 5: PRESENT ONLY WITH "AUTO-FILL" OPTION.
 - 6: COMBINED LOAD OF USER DEVICES (CHEMICAL PUMPS, FAN CONTROLS, ETC.) MUST NOT EXCEED 1.5 AMPS.

7. Electrical Diagram CMA-66 480/575/600 V

