



E

Chemical Sanitizing
Single Rack Dishwasher



FEATURES AND FACTS:

- 40 racks / 160 covers per hour.
- Economical to operate. Uses only 1.7 gallons of water per cycle.
- All stainless steel construction assures long life and years of trouble free operation.
- Unique spray arm system features upper and lower stainless steel wash arms with reinforced end caps.
- Top mounted controls include built-in chemical pumps and delimiting system that assures proper chemical usage.
- Auto start/stop makes operation safe and easy.
- New integrated scrap tray prevents food soil from entering drain system.
- Airgap fill system.
- Field convertible from corner to straight or straight to corner.



Airgap fill system. Replaces vacuum breaker, eliminates internal parts failure and leaks.



Frame mounted motor. Easy service pump assembly.



Integrated tank, sump and drain system. No gaskets or hardware to deal with.



Integrated scrap tray prevents food soil from entering drain system.



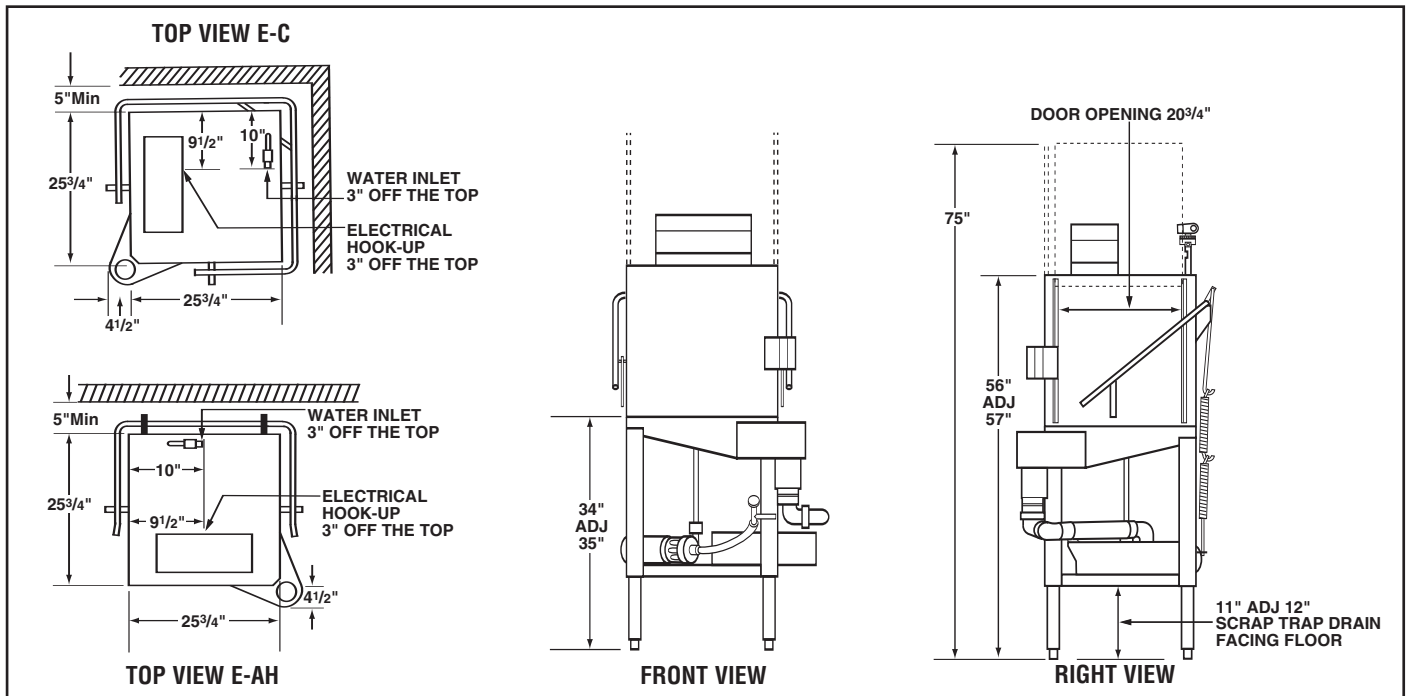
Top mounted controls include built-in chemical pumps and delimiting system that assures proper chemical usage.





E
Chemical Sanitizing
Single Rack Dishwasher

WARNING: Plumbing connections must be made by a qualified service company who will comply with all available Federal, State, and Local Health, Plumbing and Safety codes.



Specifications:

MODEL E-AH/E-C	USA	METRIC	USA	METRIC
OPERATING CAPACITY			WASH PUMP MOTORS HP	1
RACKS PER HOUR (NSF RATED)	40	40	DIMENSIONS	
OPERATING CYCLE			DEPTH	25-3/4" (65.4cm)
WASH TIME-SEC	45	45	WIDTH	25-3/4" (65.4cm)
RINSE TIME-SEC	30	30	HEIGHT	56"-57" (142.2cm-144.8cm)
DWELL TIME-SEC	15	15	STANDARD TABLE HEIGHT	34" (86cm)
TOTAL CYCLE TIME	90	90	MAXIMUM CLEARANCE FOR DISHES	17" (43cm)
WASH TANK CAPACITY	1.7 GAL.	(6.45 L)	STANDARD DISHRACK DIMENSIONS	19-3/4"x19-3/4" (50X50cm)
PUMP CAPACITY	52 GPM	(197 LPM)	ELECTRICAL RATING	VOLTS
OPERATING TEMPERATURE				115
REQUIRED	120°F	(49°C)	AMPS	16
RECOMMENDED	140°F	(60°C)	SHIPPING WEIGHT APPROXIMATE	218# (98.7kg)
WATER CONSUMPTION				
PER RACK	1.7 GAL.	(6.45 L)		
PER HOUR	74 GPH	(280 LPH)		
WATER REQUIREMENTS				
WATER INLET	1/2"	(1.27cm)		
DRAIN-I.P.S.	2"	(5.1cm)		

Summary Specifications: Model E-AH/E-C

CMA Energy Mizer model E-AH/E-C low temperature, chemical sanitizing commercial dishwashers meet NSF, UL and CSA sanitation and construction standards WITHOUT the use of BOOSTER or TANK HEATERS. The model E-AH/E-C is constructed entirely of stainless steel. Each unit automatically washes, rinses and sanitizes food service utensils in standard 19-3/4"x19-3/4" racks. Unit comes standard with upper and lower stainless steel wash arms.

Available Options

- Sanitizer Alarm
- Stainless Steel Dishtables
- Alternative cycle times
- Door Handle Conversion Kits
 - E-AH To E-C P/N 00617.30
 - E-C To E-AH P/N 00617.20

