



CMA-180-VL

High Temperature
3- Door Single Rack
Dishwasher



**New
“Ventless”
Heat
Recovery and
Condensation
Removal
Option**

P/N 01633.00

Features:

- **Replaces need for independent vent hood.**
- Final rinse valve receives cold water (45-70° F) that is processed through “heat recovery system”, providing nearly cost free heating capabilities for water supplied to the booster heater, which reduces the recovery time for the booster heater.
- Heat recovery system captures water vapor from the wash & rinse cycle, and condenses it to heat the incoming cold water & evacuate the steam from the wash chamber.
- Door-actuated start.
- Safe-T-Temp feature assures 180°F sanitizing rinse every cycle.
- 12kW electrical booster heater.
- Booster-safety thermostat.
- 6kW wash tank heater.
- Low 0.96 US gallons of water usage per rack.
- Minimum 90-second cycle. (60 second wash/rinse & 30 second steam evacuation)
- 40 racks per hour (based on 90-second cycle).
- Fully automatic cycle for easy operation.
- Water level safety control.
- Maximum clearance for dishes is 17-1/2".
- All Stainless Steel construction.
- Wash tank screens, which filter recirculating wash water, prevent soil from entering spray arms.
- 3-door feature for straight or corner applications.
- Automatic heat exchange condenser wash-down feature.
- Rinse PRV supplied (Pressure Regulating Valve).
- Field convertible from three phase to single phase.
- Simple, rugged durability that you expect from CMA.

The “Ventless” option is a Heat Recovery Condensation Removal System:

Captures and distributes normally exhausted heat from the wash/rinse tank, using this FREE energy to pre-heat cold water prior to feeding the booster heater. Water entering the booster heater has been pre-heated, reducing the energy cost to bring booster temperature to required 180 degrees, potentially saving THOUSANDS of \$ in operational costs.

NO VENT HOOD REQUIRED: Saves THOUSANDS \$ on installation.

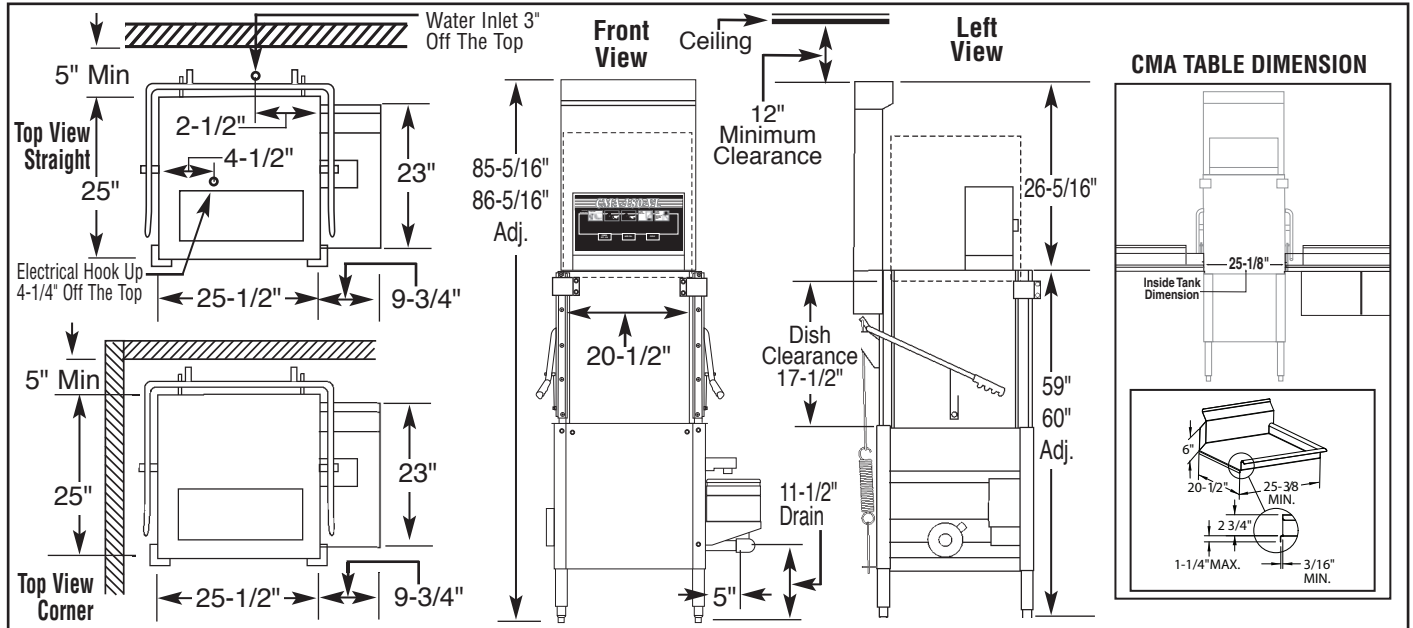




CMA-180-VL

High Temperature
3- Door Single Rack
Dishwasher

WARNING: Plumbing connections must be made by a qualified service company who will comply with all available Federal, State, and Local Health, Plumbing and Safety codes.



Specifications:

MODEL CMA-180-VL	USA	METRIC	USA	METRIC
WATER CONSUMPTION				
PER RACK	.96 GAL	(3.6 L)		
PER HOUR	38 GPH	(197 L)		
OPERATING CYCLE				
WASH TIME - SEC.	49	49		
RINSE TIME - SEC.	12	12		
STEAM EVACUATION	29	29		
TOTAL CYCLE	90	90		
OPERATING CAPACITY				
RACKS PER HOUR	40	40		
WASH TANK CAPACITY	8 GAL.	(30.3 L)		
PUMP CAPACITY	52 GPM	(197 LPM)		
WATER REQUIREMENTS				
RINSE	45-70°F	(7.3°C-22°C)		
FILL & CONDENSER	140°F	(60°C)		
DRAIN CONNECTION	2"	(5.1cm)		
RINSE PRESSURE SET	20 ± 5psi	(1.41 kg/cm ²)		
WATER REQUIREMENTS				
RINSE	1/2"	(1.27cm)		
CONDENSER	1/2"	(1.27cm)		
FILL	3/4"	(1.9cm)		
OPERATING TEMPERATURE				
WASH-°F (MIN)	155°F-160°F	(68°C-71°C)		
RINSE-°F (MIN)	180°F-195°F	(82°C-90°C)		
WASH PUMP MOTOR HP	1	1		
DIMENSIONS				
DEPTH	25"	(63.5cm)		
WIDTH (OUTSIDE DIMENSION)	25 -1/2"	(65cm)		
HEIGHT	85-5/16"-86-5/16"	(216-217cm)		
STANDARD TABLE HEIGHT	34"	(86.3cm)		
MAX CLEARANCE FOR DISHES	17-1/2"	(44cm)		
DRAIN CONNECTION (OFF FLOOR)	11-1/2"-12-1/2"	(29-32cm)		
STANDARD DISHRACK	1	1		
DIMENSIONS	19-3/4" X 19-3/4"	(50X50cm)		
ELECTRICAL RATING	VOLTS	PHASE	AMPS	
INCLUDES	208	1	80	
REQUIRED 12kW	240	1	90	
BOOSTER	208	3	50	
	240	3	56	
APPROXIMATE SHIPPING WEIGHT	400#	(182kg)		

Summary Specifications: Model CMA-180-VL

The model CMA-180-VL single tank, high temperature dishwasher is designed for years of trouble free service, producing sparkling results while conserving energy, water and chemicals. This machine is supplied with a built-in 12 kW booster heater required for "Ventless" feature to function. The CMA-180-VL comes standard with the 3-door feature for straight or corner applications. Unique soil purging system filters wash water and plate debris into an external tray. The CMA-180-VL is NSF, UL, CUL and CE approved. Constructed entirely of stainless steel.

