



CMA-180
High Temperature
Straight or Corner Single
Rack Dishwasher



Straight Model

Corner Model

FEATURES:

- **Energy Star Qualified.**
- 60 racks / 240 covers per hour.
- Economical to operate. Uses only .96 gallons of water per cycle.
- Automatic soil purging system. Filters wash water and traps plate debris into an external tray. Tray can be easily removed for dumping contents.
- All stainless steel construction offers durable performance and years of trouble free operation.
- Built-in chemical resistant industrial 7kW heater is proven to be more durable than commercial style heaters.
- Unique spray arm system features upper and lower stainless steel wash arms with reinforced end caps. Specially designed pull-pins allow wash arms to be easily removed for cleaning.
- Top mounted control box is water tight and includes a rack counter, extended wash/delimer switch and easy to read temperature gauges.
- Auto start/stop makes operation safe and easy.
- Field convertible for a wide range of applications.
- Safety Temp feature assures 180°F sanitizing rinse every cycle.
- Single point electrical connection.
- Automatic tank fill.
- Interchangeable upper and lower arms.

Available Options:

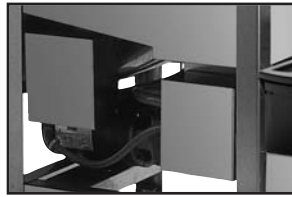
- Exhaust Fan Time Control
- Built-in 12kW booster heater
- CMA-180 Conversion Kit Corner to Straight
- CMA-180 Conversion Kit Straight to Corner
- Alternative electrical available for export
- Stainless steel dishtables
- Dual power supply connections
- Stainless steel scrap trap
- 3 doors open
- 2 minute cycle



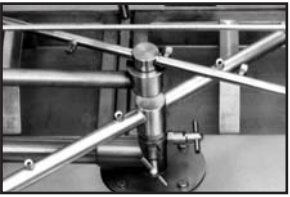
Top mounted control box is water tight and includes a rack counter, extended wash/delimer switch and easy to read temperature gauges.



External scrap tray maintains clean wash water and prevents debris from clogging the drain.



Industrial wash tank and optional booster heaters are designed for years of trouble free service.



Unique pull-pin design allows wash arms to be easily removed for cleaning.

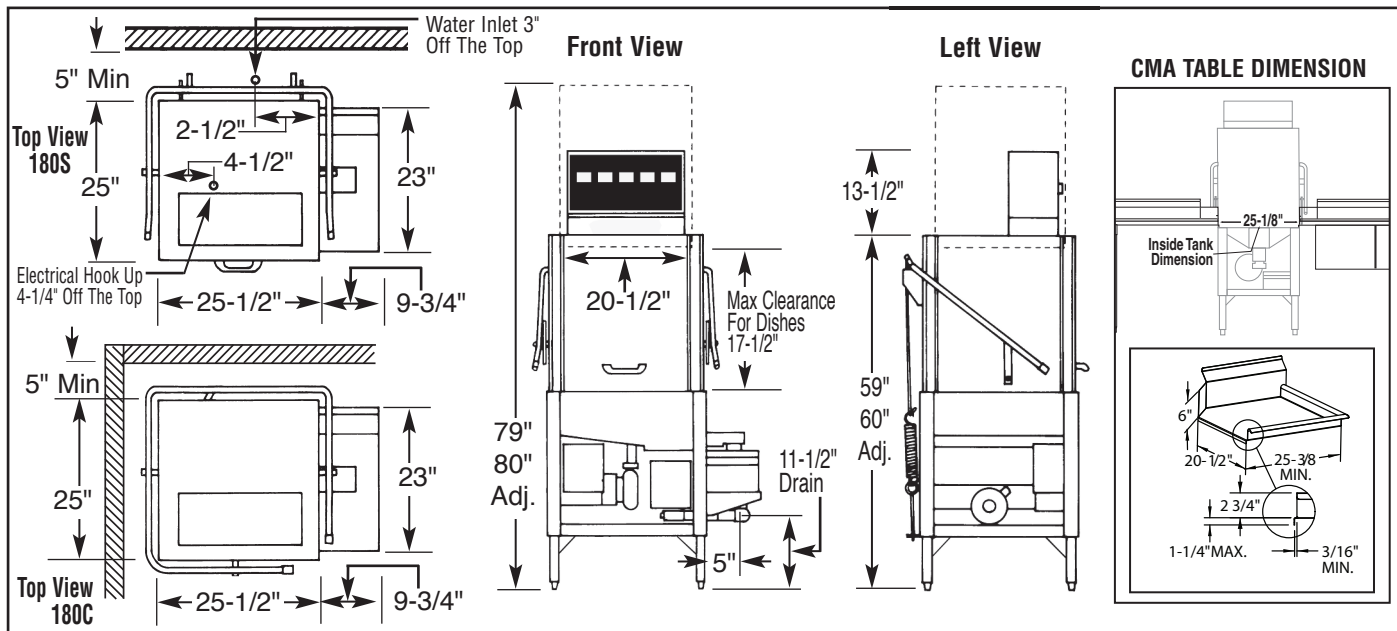




CMA-180

High Temperature
Straight or Corner Single
Rack Dishwasher

WARNING: Plumbing connections must be made by a qualified service company who will comply with all available Federal, State, and Local Health, Plumbing and Safety codes.



Specifications:

	USA	METRIC		USA	METRIC	
WATER CONSUMPTION			WASH PUMP MOTOR HP	1	1	
PER RACK	.96 GAL	(3.6 L)	DIMENSIONS			
PER HOUR	52 GPH	(197 L)	DEPTH	25"	(63.5cm)	
OPERATING CYCLE			WIDTH (OUTSIDE DIMENSION)	25 -1/2"	(65cm)	
WASH TIME - SEC.	49	49	HEIGHT	59"-60"	(150-152cm)	
RINSE TIME - SEC.	12	12	STANDARD TABLE HEIGHT	34"	(86.3cm)	
TOTAL CYCLE	61	61	MAX CLEARANCE FOR DISHES	17-1/2"	(44cm)	
OPERATING CAPACITY			DRAIN CONNECTION (OFF FLOOR)	11-1/2"-12-1/2"	(29-32cm)	
RACKS PER HOUR	60	60	STANDARD DISHRACK			
WASH TANK CAPACITY	8 GAL.	(30.3 L)	DIMENSIONS	19-3/4" X 19-3/4"	(50X50cm)	
PUMP CAPACITY	52 GPM	(197 LPM)	ELECTRICAL RATING	VOLTS	PHASE	AMPS
WATER REQUIREMENTS			WITHOUT BOOSTER	208	1	36
WITHOUT BOOSTER HEATER	180°F	(82°C)		240	1	38
WITH BOOSTER HEATER	140°F	(60°C)		208	3	24
WATER INLET	3/4"	(1.9cm)		240	3	26
DRAIN CONNECTION	2"	(5.1cm)	WITH BOOSTER	208	1	78
RINSE PRESSURE SET	20 ± 5psi	(1.41 kg/cm ²)		240	1	88
OPERATING TEMPERATURE				208	3	49
WASH-°F (MIN)	155°F-160°F	(68°C-71°C)		240	3	55
RINSE-°F (MIN)	180°F-195°F	(82°C-90°C)		480	3	25
			APPROXIMATE SHIPPING WEIGHT			
			WITHOUT BOOSTER	338#		(151kg)
			WITH BOOSTER	351#		(170kg)

Summary Specifications: Model CMA-180

The model CMA-180 single tank, high temperature dishwasher is designed for years of trouble free service, producing sparkling results while conserving energy, water and chemicals. This machine is available with an optional "built in" booster heater, assuring a continuous supply of 180°F hot water, and is easily field convertible for either corner or straight installation. Unique soil purging system filters wash water and plate debris into an external tray. The CMA-180 is NSF, UL, CUL and CE approved. Constructed entirely of stainless steel.

Available Models

- CMA-180S Straight
- CMA-180SB Straight with booster
- CMA-180C Corner
- CMA-180CB Corner with booster

